

**Description**

**CSPT15A03-4.0F:**

Chinasound SMD Piezo Transducer 14.8< 15 mm length, type A(=14.3 mm width, 7.4 mm height), 3Vp-p rated voltage – 4.0KHz resonant frequency, lead Free reflowing solderable and RoHS compliance

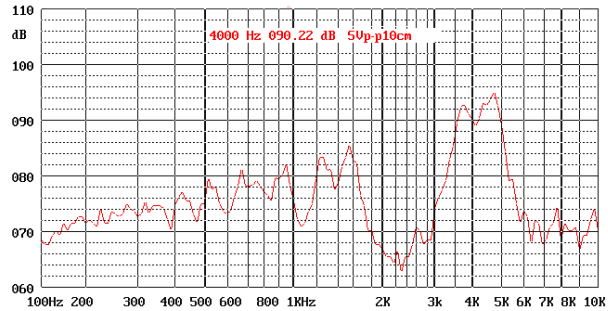
◆ **RoHS compliance**

- ◆ Reliable Solid State Piezoelectric Technology
- ◆ Corrosion Resistance Diaphragm
- ◆ Flame Retardant Plastic
- ◆ Tape and reel packaging for auto mounting

**Picture**



**Frequency Response Curve**



**Specification**

- Operating Voltage
- Operating Frequency
- Typical Sound Output
- Rated Current
- Capacitance
- Operating Temperature
- Storage Temperature
- Termination
- Construction Materials

- Weight (Typical)
- Reliability

Description  
Case  
Diaphragm

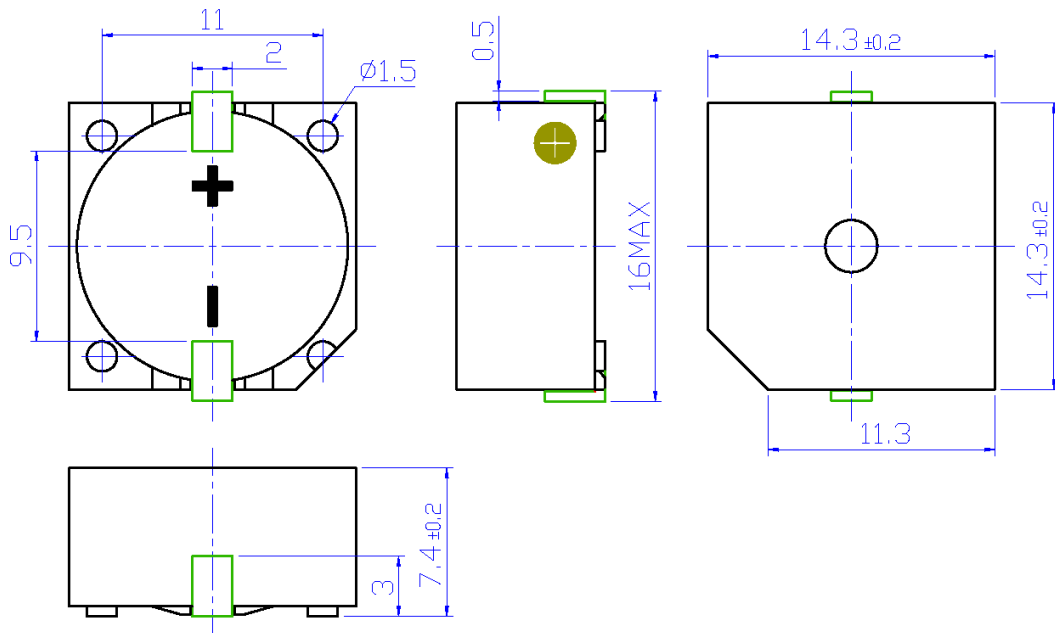
- \*Life Test
- \*High Temperature
- \*Low Temperature
- \*Humidity
- \*Thermal Shock
- \*Vibration
- \*Shock
- \*Drop Test
- \*Soldering Heat Resistance

20 Vp-p max.  
4000+/-500Hz  
80dB min. at 5Vp-p 10cm 4.1KHz 25 °C  
2mA at 5Vp-p  
15000+/-30% pF at 100Hz 1Vrms  
-30 °C to +85 °C  
-40 °C to +90 °C  
2 soldering pads, Sn plated Brass  
Plastic, LCP Vectra E130i  
Ni Alloy Disc N42  
1.95g  
At 5 Vp-p in room temperature, 1 cycle = 1 min. ON 4 min. OFF, continuously for 1000 hours  
At 3 Vp-p in room temperature continuously for 1000 hours  
No function at +90+/-2 °C for 240 hours; Function at +85+/-2 °C for 240 hours  
No function at -40+/-2 °C for 240 hours; Function at -30+/-2 °C for 240 hours  
+40 +/-2 °C, 95 ± 5%RH, 240 hours  
-30+/-2 °C 0.5 hr → +25+/-2 °C 0.25 hr → +85+/-2 °C 0.5 hr → +25+/-2 °C 0.25 hr. Temperature  
Go up or Drop time is 0.5 hr. 3 hrs per 1 cycle. Total is 5 cycles  
1.5mm with 10 to 50Hz of vibration frequency to each of 3 perpendicular directions for 2 hours  
980m/s<sup>2</sup> (=100g) shock for each mutually perpendicular directions, half sine wave, 3 times each  
Dropped naturally from 750mm height onto the surface of 10mm wooden board. 2 directions –  
upper and side of the part are applied  
Samples put through reflowing soldering over 2 twice

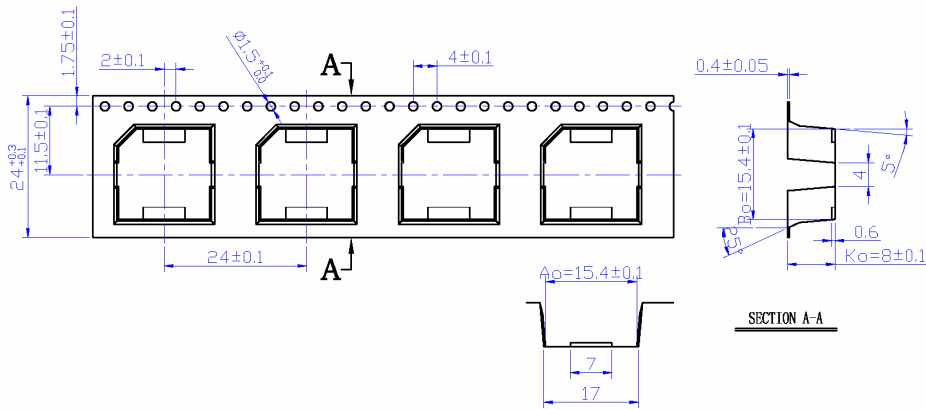
**Warranty**

\* All specifications must be satisfied after the test (Recovery:2 to 4 hrs of recovery under the standard condition **after the removal from test chamber**).

**Dimensions (Unit:mm)**

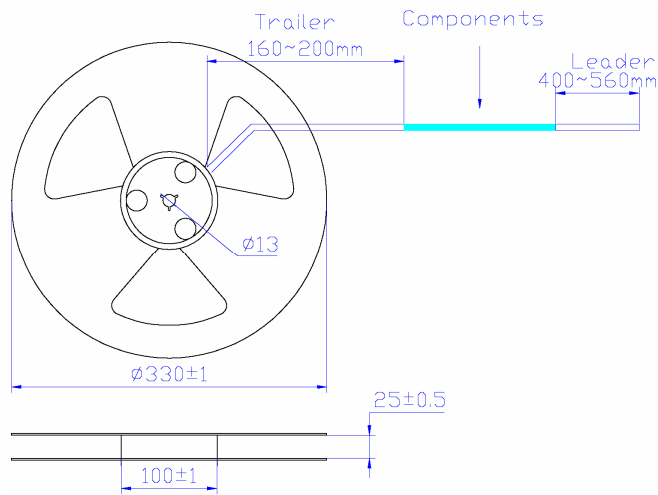


Tape & Reel Dimensions (Unit:mm)



NOTE:

1. 10 sprocket hole pitch cumulative tolerance +/-0.20mm.
2. Carrier camber not to exceed 1 mm in 250 mm.
3. All dimensions meet EIA-481-2-A requirements.
4. Thickness: 0.40+/-0.05 mm.
5. Component loaded per 13" reel: 350 pcs.



Recommend Reflowing Profile

