

Description
CSPT11A05-4.1F:

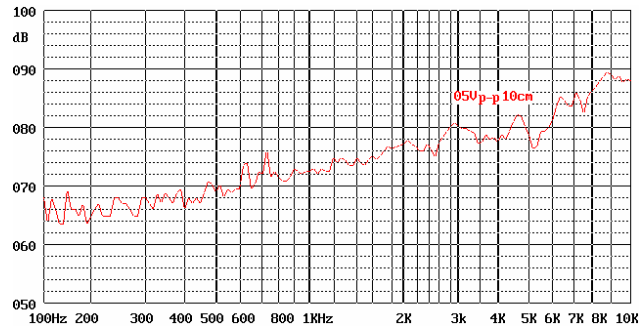
Chinasound SMD Piezo Transducer 11mm length, type A(=9 mm width, 1.7mm height), 5Vp-p rated voltage – 4.1KHz resonant frequency, lead Free reflowing solderable and RoHS compliance

- ◆ RoHS compliance
- ◆ Reliable Solid State Piezoelectric Technology
- ◆ Corrosion Resistance Diaphragm
- ◆ Flame Retardant Plastic
- ◆ Tape and reel packaging for auto mounting

Picture



Frequency Response Curve



Specification

- Operating Voltage
- Operating Frequency
- Typical Sound Output
- Rated Current
- Capacitance
- Operating Temperature
- Storage Temperature
- Termination
- Construction Materials

- Weight (Typical)
- Reliability

Description
 Case
 Diaphragm

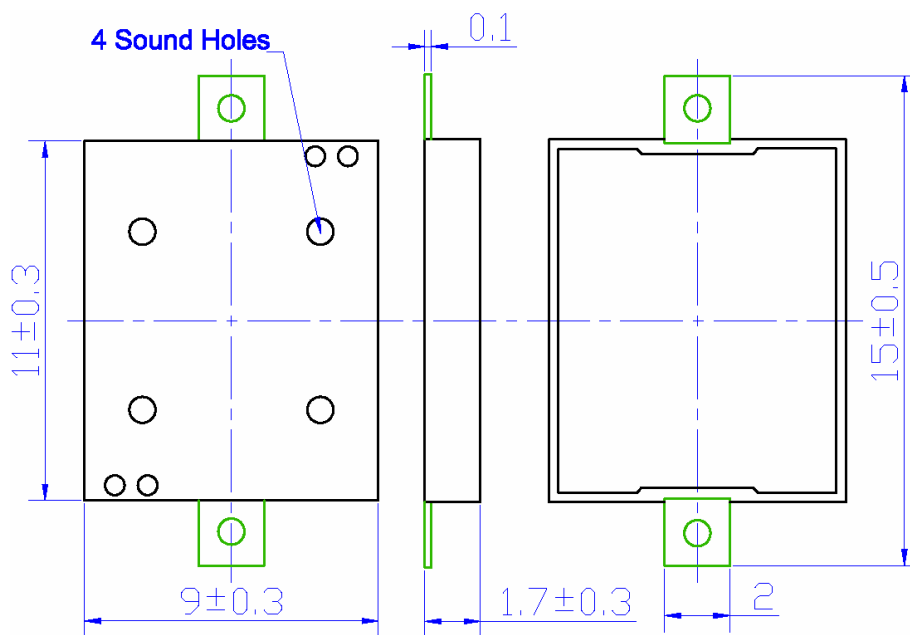
- *Life Test
- *High Temperature
- *Low Temperature
- *Humidity
- *Thermal Shock
- *Vibration
- *Shock
- *Drop Test
- *Soldering Heat Resistance

20 Vp-p max.
 4100+/-500Hz
 70dB min. at 5Vp-p 10cm 4.1KHz 25 °C
 2mA at 5Vp-p
 15000+/-30% pF at 100Hz 1Vrms
 -30 °C to +85 °C
 -40 °C to +90 °C
 2 soldering pads, Sn plated Brass
 Plastic, LCP Vectra E130i
 Ni Alloy Disc N42
 0.9g
 At 5 Vp-p in room temperature, 1 cycle = 1 min. ON 4 min. OFF, continuously for 1000 hours
 At 3 Vp-p in room temperature continuously for 1000 hours
 No function at +90+/-2 °C for 240 hours; Function at +85+/-2 °C for 240 hours
 No function at -40+/-2 °C for 240 hours; Function at -30+/-2 °C for 240 hours
 +40 +/-2 °C, 95 ± 5%RH, 240 hours
 -30+/-2 °C 0.5 hr → +25+/-2 °C 0.25 hr → +85+/-2 °C 0.5 hr → +25+/-2 °C 0.25 hr. Temperature
 Go up or Drop time is 0.5 hr. 3 hrs per 1 cycle. Total is 5 cycles
 1.5mm with 10 to 50Hz of vibration frequency to each of 3 perpendicular directions for 2 hours
 980m/s² (=100g) shock for each mutually perpendicular directions, half sine wave, 3 times each
 Dropped naturally from 750mm height onto the surface of 10mm wooden board. 2 directions –
 upper and side of the part are applied
 Samples put through reflowing soldering over 2 twice

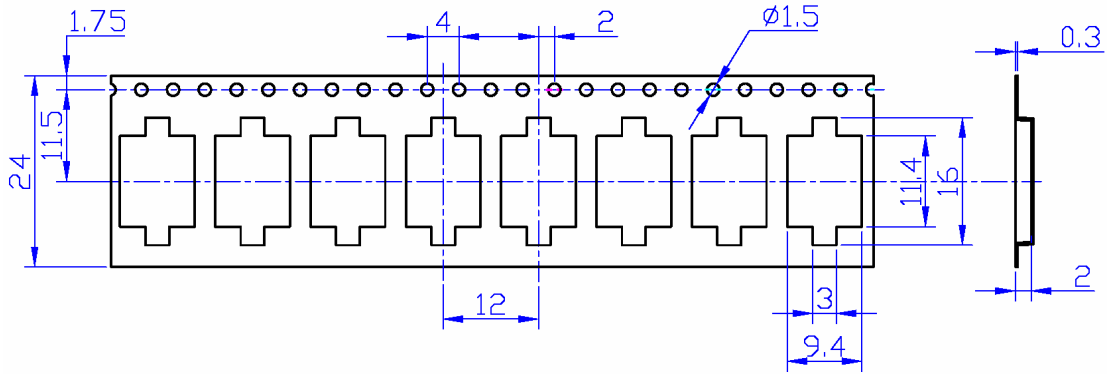
Warranty

* All specifications must be satisfied after the test (Recovery:2 to 4 hrs of recovery under the standard condition **after the removal from test chamber**).

Dimensions (Unit:mm)

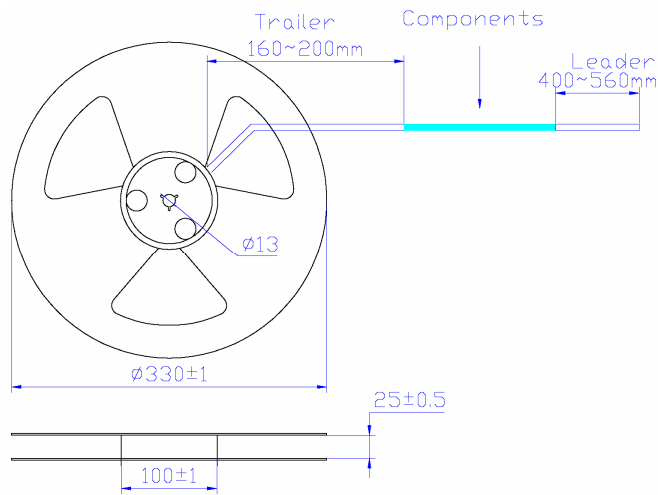


Tape & Reel Dimensions (Unit:mm)



NOTE:

1. 10 sprocket hole pitch cumulative tolerance ± 0.20 mm.
2. Carrier camber not to exceed 1 mm in 250 mm.
3. All dimensions meet EIA-481-2-A requirements.
4. Thickness: 0.30 ± 0.05 mm.
5. Component loaded per 13" reel: 2000 pcs.



Recommend Reflowing Profile

