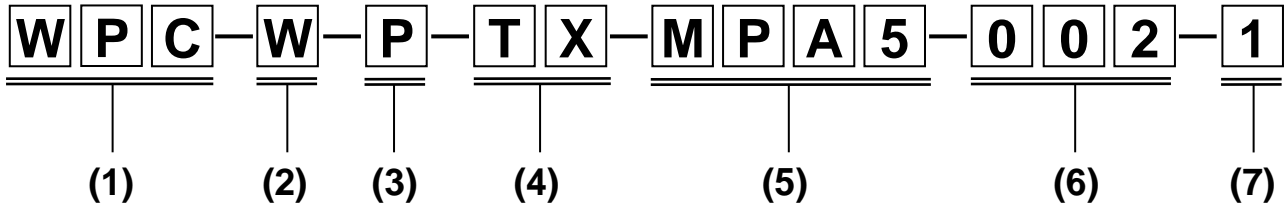


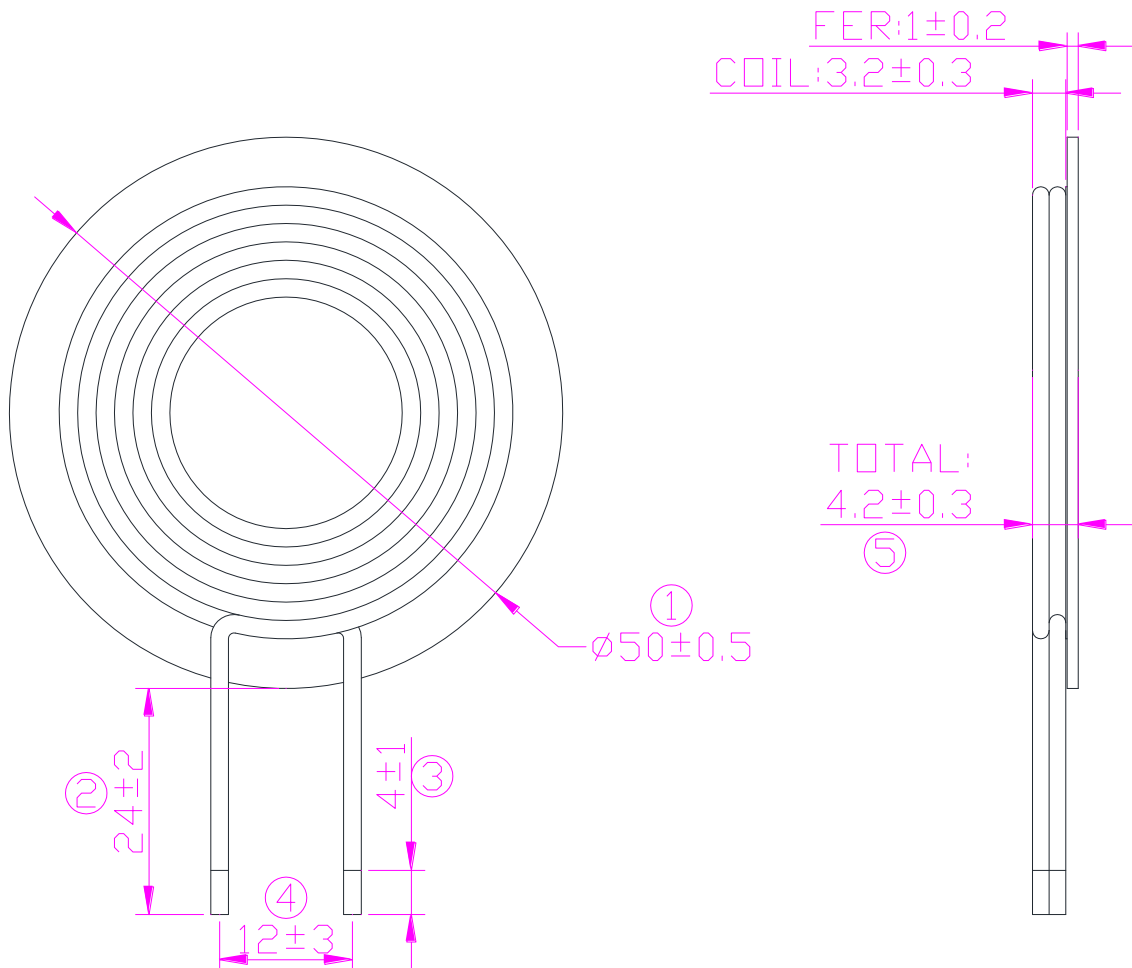
WPC-W-P-TX-MPA5-002-1 Specification

1. Explanation of Part Number:



- (1) Product type : Wireless Power Charging
- (2) Mode : WPC
- (3) Active or passive : Passive
- (4) Type : Power Transmitter
- (5) Antenna material or type : MP-A5
- (6) Suffix : Serial number
- (7) Control Code

2. Dimension:



UNLESS OTHER SPECIFIED TOLERANCES ON :
 X = ± X.X = ± X.XX = ±
 ANGLES = ± HOLE DIA = ±



INPAQ TECHNOLOGY CO., LTD.

SCALE : N/A

UNIT : mm

DRAWN BY: 王聖元

CHECKED BY: 吳金依

DESIGNED BY: 張肇庭

APPROVED BY: 洪碩國

THIS DRAWINGS AND SPECIFICATIONS ARE THE PROPERTY OF INPAQ TECHNOLOGY CO.,LTD.AND SHALL NOT BE REPRODUCED OR USED AS THE BASIS FOR THE MANUFACTURE OR SALE OF APPARATUS OR DEVICES WITHOUT PERMISSION

TITLE : WPC-W-P-TX-MPA5-002-1 Specification

DOCUMENT NO.

ENS000121640

SPEC REV.
A2

3.WPC Coil Specification:

- (1) WIRE DIAMETER : 0.08 mm x 180P
- (2) LAYERS : 2 LAYER
- (3) TURNS : 13 TS

4. Electrical Specification:

Test Item	Test Condition	Specification
Inductance	100K Hz, 1V	10uH±10%
DCR	@25°C	24mΩ±15%

5. Operating & Storage Condition:

- a.) OPERATING TEMPERATURE RANGE: -25°C~+75°C
- b.) STORAGE TEMPERATURE RANGE: -20°C~+75°C; HUMIDITY:50% MAX.

UNLESS OTHER SPECIFIED TOLERANCES ON :

X = ± X.X = ± X.XX =
ANGLES = ± HOLE DIA = ±



INPAQ TECHNOLOGY CO., LTD.

SCALE : N/A

UNIT : mm

DRAWN BY: 王聖元

CHECKED BY: 吳金依

DESIGNED BY: 張肇庭

APPROVED BY: 洪碩國

THIS DRAWINGS AND SPECIFICATIONS ARE THE PROPERTY OF INPAQ TECHNOLOGY CO.,LTD.AND SHALL NOT BE REPRODUCED OR USED AS THE BASIS FOR THE MANUFACTURE OR SALE OF APPARATUS OR DEVICES WITHOUT PERMISSION

TITLE : WPC-W-P-TX-MPA5-002-1 Specification

DOCUMENT NO.

ENS000121640

SPEC REV.
A2