

1 to 2 Chs keyfob transmitter with HT12E encoder



	bit 9	bit 9	
TX-1TK..	HIGH	...	D1MB
TX-2TK..	HIGH	GND	D2MB • 2xD1MB

650201000
mod.TX12E-1TK

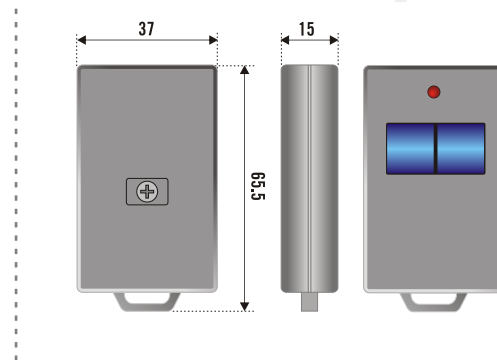
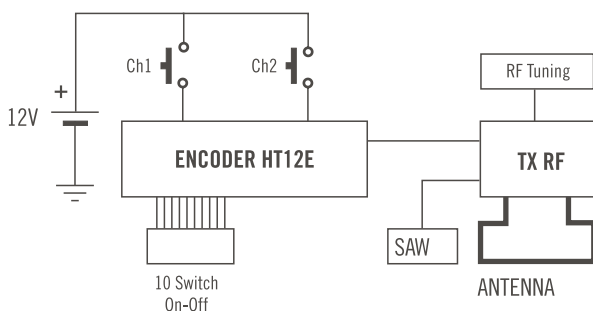
650201001
mod.TX12E-2TK

Descrizione

1 to 2 channel RF transmitters with SAW filter oscillator, ideal for application in car alarms, remote control systems and coded controls.
In compliance with EN 300 200, EN 301 489 & EN 60950.

Description

Trasmittitore RF bicanale con risonatore SAW, ideale per applicazioni nel campo antifurto e comandi codificati.
Conforme alle Normative Europee EN 300 220, EN 301 489 ed EN 60950.



All dimensions are in millimeters

Specifiche Tecniche / Technical Specification

Characteristics	Ta = 25 °C			Unit
	Min	Typ	Max	
Battery supply / Alimentazione con batteria		12		Vdc
Supply Current / Corrente assorbita		10	15	mA
RF carrier frequency / Frequenza portante RF		433.92		MHz
Effective radiated power / Potenza irradiata		1		mW
Encoder clock frequency / Frequenza di clock encoder		1*		kHz
Codes / Combinazioni			4096	bit
Operating temperature range / Temperatura di lavoro	+10		+55	°C

Tolerance ± 15% / Tolleranza ± 15%

Information subject to change without notice - September 2014