

Product name	Description	Version
MC-1513-G	Standalone multiple GNSS module	1.3



1 Introduction

LOCOSYS MC-1513-G is a complete standalone GNSS module. The module can simultaneously acquire and track multiple satellite constellations that include GPS, GLONASS, GALILEO, QZSS and SBAS. It features low power and small form factor. Besides, it can provide you with superior sensitivity and performance even in urban canyon and dense foliage environment.

This module supports hybrid ephemeris prediction to achieve faster cold start. One is self-generated ephemeris prediction (called EASY) that is no need of both network assistance and host CPU's intervention. This is valid for up to 3 days and updates automatically from time to time when GNSS module is powered on and satellites are available. The other is server-generated ephemeris prediction (called EPO) that gets from an internet server. This is valid for up to 14 days. Both ephemeris predictions are stored in the on-board flash memory and perform a cold start time less than 15 seconds.

2 Features

- MediaTek high sensitivity solution
- Support GPS, GLONASS, GALILEO and QZSS
- Capable of SBAS (WAAS, EGNOS, MSAS, GAGAN)
- Support 99-channel GNSS
- Ultra low power consumption
- Fast TTFF at low signal level
- Built-in 12 multi-tone active interference canceller
- Free hybrid ephemeris prediction to achieve faster cold start
- Built-in data logger
- Built-in DC/DC converter to save power
- Up to 10 Hz update rate
- ± 1 ns high accuracy time pulse (1PPS)
- Indoor and outdoor multi-path detection and compensation
- Support both UART and I2C interface
- Small form factor 15 x 13 x 2.2 mm
- SMD type with stamp holes; RoHS compliant

3 Application

- Personal positioning and navigation
- Automotive navigation
- Marine navigation

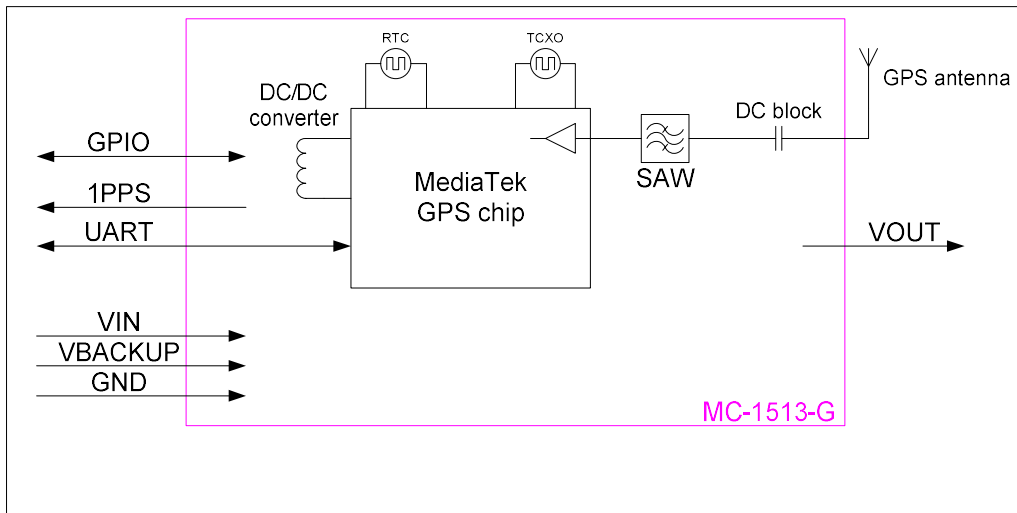


Fig 3-1 System block diagram.

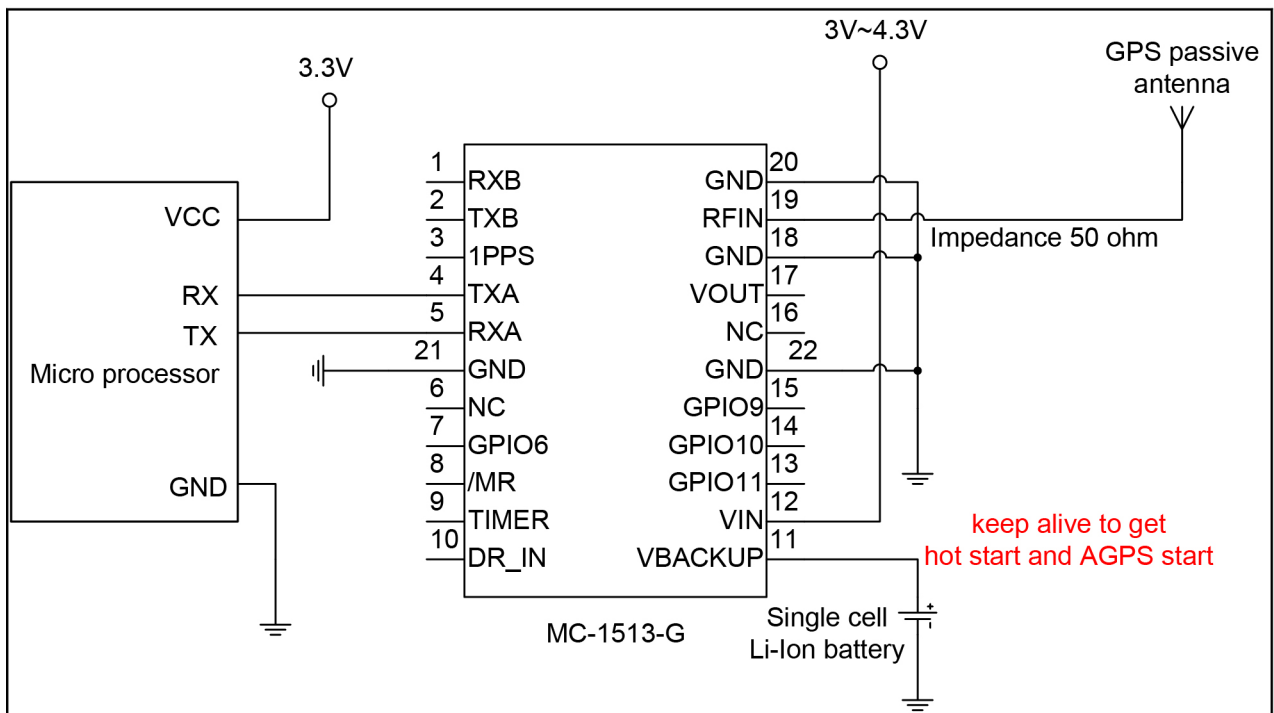


Fig 3-2 Typical application circuit that uses a passive antenna.

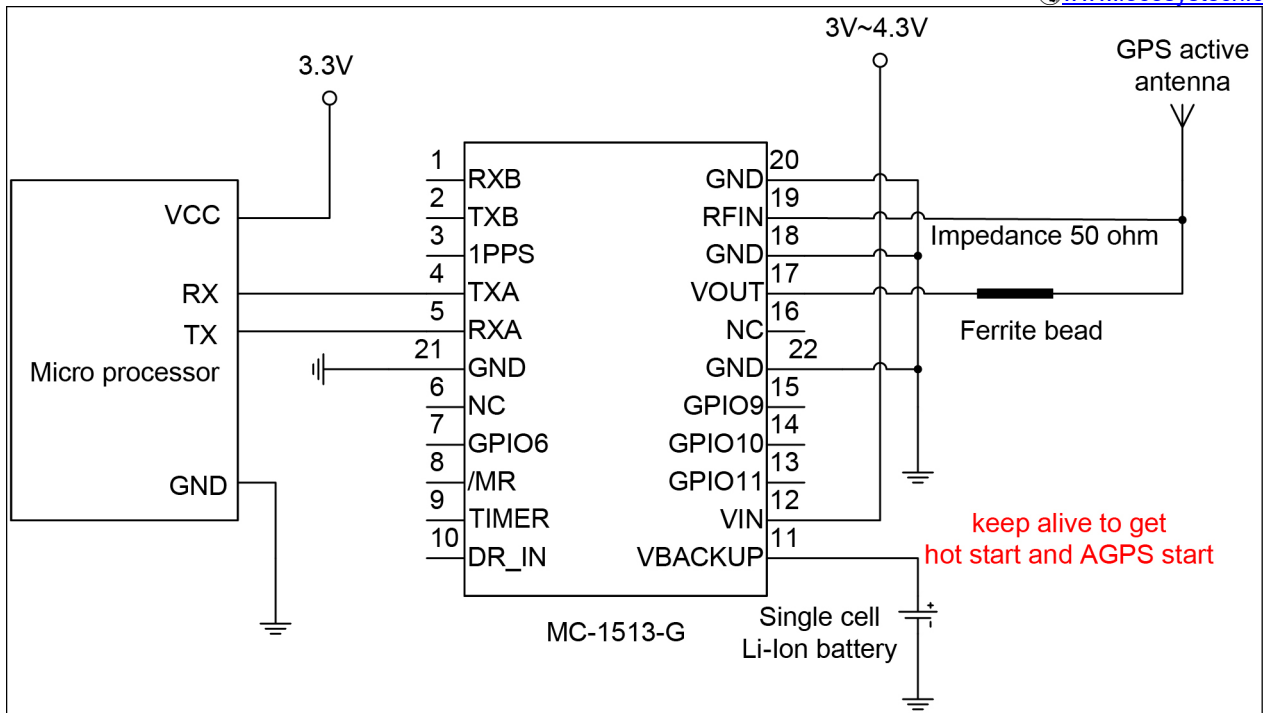


Fig 3-3 Typical application circuit that uses an active antenna.

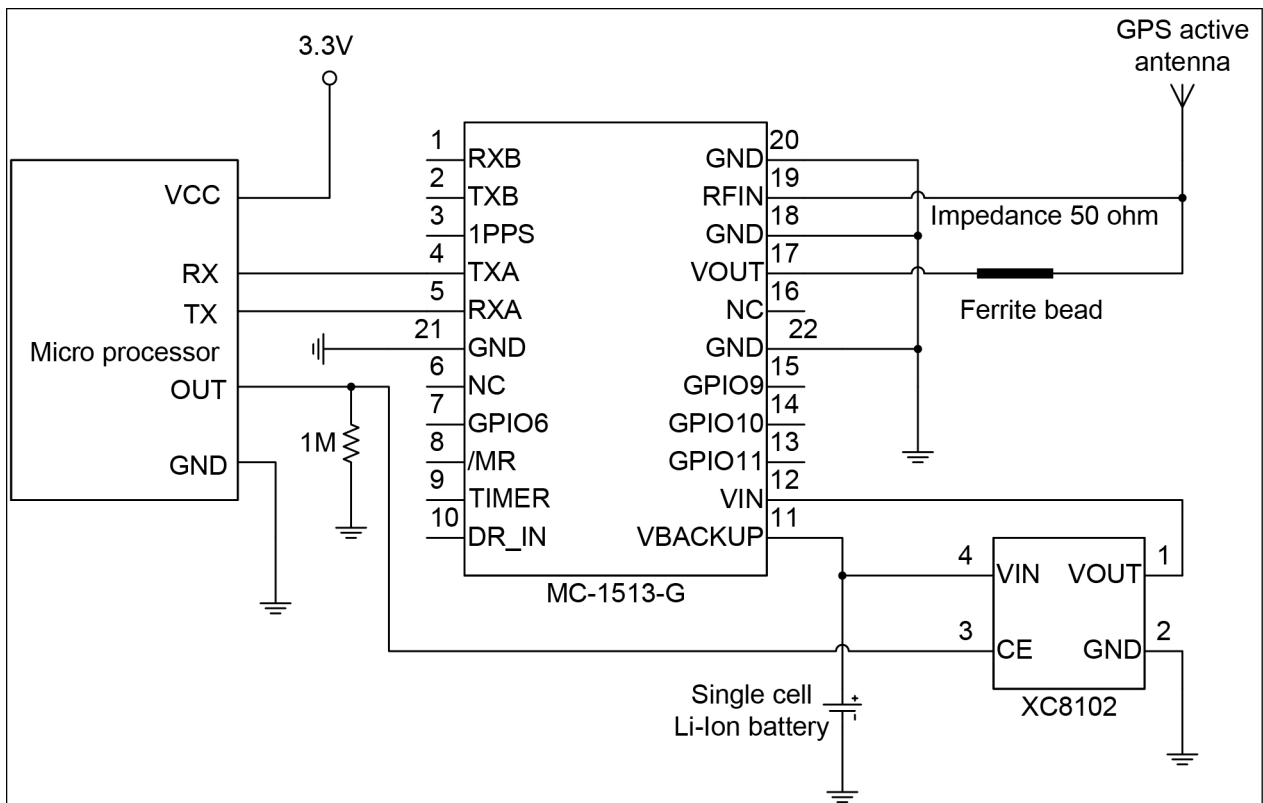


Fig 3-4 Typical application circuit that directly uses a Li-Ion battery as power source to save power.

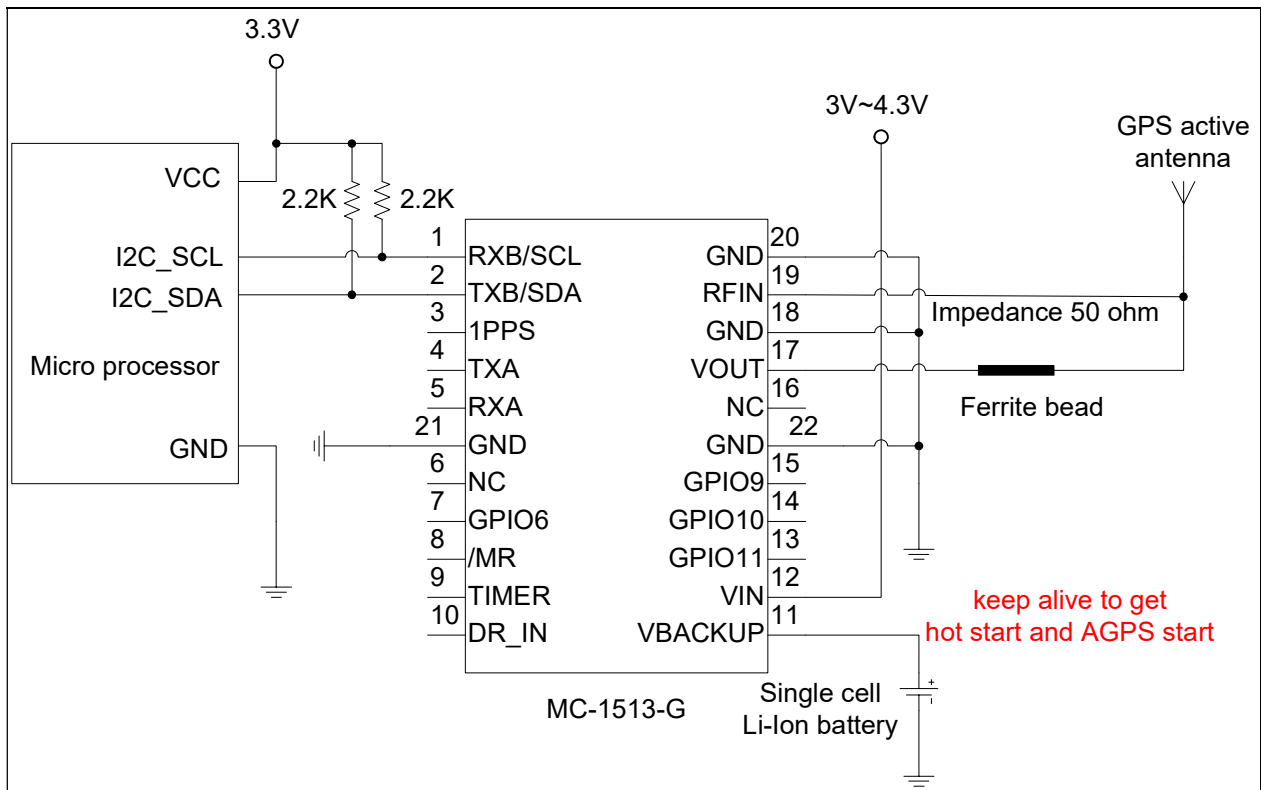


Fig 3-5 Use I2C interface to communicate with MC-1513-G.

4 GNSS receiver

Chip	MediaTek MT3333	
Frequency	GPS, GALILEO ⁽¹⁾ , QZSS: L1 1575.42MHz, C/A code GLONASS: L1 1598.0625MHz ~ 1605.375MHz, C/A code	
Channels	Support 99 channels (33 Tracking, 99 Acquisition)	
Update rate	1Hz default, up to 10Hz	
Sensitivity	Tracking	-161dBm, up to -165dBm (with external LNA)
	Cold start	-142.5dBm, up to -148dBm (with external LNA)
Acquisition Time	Hot start (Open Sky)	1s (typical)
	Hot start (Indoor)	< 30s (typical)
	Cold Start (Open Sky)	33s (typical) without AGPS
< 15s (typical) with AGPS (hybrid ephemeris prediction)		
Position Accuracy	Autonomous	2.5m CEP
	SBAS	2.5m (depends on accuracy of correction data).
Max. Altitude	< 18,000 m, up to 50,000m by request	
Max. Velocity	< 515 m/s	
Protocol Support	NMEA 0183 ver 4.00 ⁽²⁾	9600 bps ⁽³⁾ , 8 data bits, no parity, 1 stop bits (default)
		1Hz: GGA, GLL, GSA, GSV, RMC, VTG

Note (1): MC-1513-G module is default configured for concurrent GPS, GLONASS, QZSS and SBAS reception.

Please contact us for different default configuration, such as concurrent GPS, GLONASS, GALILEO, QZSS and SBAS.

Note (2): The default NMEA version is 4.00 and it also can configure to 4.10. If customer want to the product to support 4.10 please contact us in advance.

Note (3): Both baud rate and output message rate are configurable to be factory default.

5 Software interface

5.1 NMEA output message

Table 5.1-1 NMEA output message

NMEA record	Description
GGA	Global positioning system fixed data
GLL	Geographic position - latitude/longitude
GSA	GNSS DOP and active satellites
GSV	GNSS satellites in view
RMC	Recommended minimum specific GNSS data
VTG	Course over ground and ground speed

● **GGA--- Global Positioning System Fixed Data**

Table 5.1-2 contains the values for the following example:

\$GNGGA,183015.000,2503.7123,N,12138.7446,E,2,16,0.68,123.2,M,15.3,M,,*78

Table 5.1-2 GGA Data Format

Name	Example	Units	Description
Message ID	\$GNGGA		GGA protocol header
UTC Time	183015.000		hhmmss.sss
Latitude	2503.7123		ddmm.mmmm
N/S indicator	N		N=north or S=south
Longitude	12138.7446		dddmm.mmmm
E/W Indicator	E		E=east or W=west
Position Fix Indicator	2		See Table 5.1-3
Satellites Used	16		Range 0 to 33
HDOP	0.68		Horizontal Dilution of Precision
MSL Altitude	123.2	meters	
Units	M	meters	
Geoid Separation	15.3	meters	
Units	M	meters	
Age of Diff. Corr.		second	Null fields when DGPS is not used
Diff. Ref. Station ID			
Checksum	*78		
<CR> <LF>			End of message termination

Table 5.1-3 Position Fix Indicators

Value	Description
0	Fix not available or invalid
1	GPS SPS Mode, fix valid

2	Differential GPS, SPS Mode, fix valid
3-5	Not supported
6	Dead Reckoning Mode, fix valid

● GLL--- Geographic Position – Latitude/Longitude

Table 5.1-4 contains the values for the following example:

\$GNGLL,2503.7135,N,12138.7448,E,055757.000,A,D*45

Table 5.1-4 GLL Data Format

Name	Example	Units	Description
Message ID	\$GNGLL		GLL protocol header
Latitude	2503.7135		ddmm.mmmm
N/S indicator	N		N=north or S=south
Longitude	12138.7448		dddmm.mmmm
E/W indicator	E		E=east or W=west
UTC Time	055757.000		hhmmss.sss
Status	A		A=data valid or V=data not valid
Mode	D		N = No position fix A = Autonomous GNSS fix D = Differential GNSS fix R = RTK fixed F = RTK float E = Estimated/Dead reckoning fix
Checksum	*45		
<CR> <LF>			End of message termination

● GSA---GNSS DOP and Active Satellites

Table 5.1-5 contains the values for the following example:

NMEA V4.0

\$GPGSA,A,3,193,19,06,05,02,17,09,12,13,195,,1.23,0.92,0.81*01

\$GLGSA,A,3,69,,,,,,,,,1.23,0.92,0.81*13

\$GAGSA,A,3,,,,,,,,,1.23,0.92,0.81*11

NMEA V4.10

\$GNRSA,A,3,02,06,17,19,09,05,28,193,195,,1.34,1.02,0.87,1*01

\$GNRSA,A,3,69,,,,,,,,,1.34,1.02,0.87,2*07

\$GNRSA,A,3,,,,,,,,,1.34,1.02,0.87,3*09

Table 5.1-5 GSA Data Format

Name	Example	Units	Description
------	---------	-------	-------------

Message ID	\$GNGSA		GSA protocol header, GP=GPS/QZSS, GL=GLOANSS, GA=GALILEO BD=BEIDOU (GN for NMEA Ver 4.10)
Mode 1	A		See Table 5.1-6
Mode 2	3		See Table 5.1-7
ID of satellite used	02		Sv on Channel 1
ID of satellite used	06		Sv on Channel 2
....		
ID of satellite used			Sv on Channel N
PDOP	1.34		Position Dilution of Precision
HDOP	1.02		Horizontal Dilution of Precision
VDOP	0.87		Vertical Dilution of Precision
System ID	1		1: GPS, 2:GLONASS, 3:GALILEO, 4:BEIDOU (NMEA Ver 4.10 support only)
Checksum	*01		
<CR> <LF>			End of message termination

Table 5.1-6 Mode 1

Value	Description
M	Manual- forced to operate in 2D or 3D mode
A	Automatic-allowed to automatically switch 2D/3D

Table 5.1-7 Mode 2

Value	Description
1	Fix not available
2	2D
3	3D

● GSV---GNSS Satellites in View

Table 5.1-8 contains the values for the following example:

```
$GPGSV,3,1,11,18,67,344,48,09,55,031,50,42,54,142,40,193,47,174,45,0*51
$GPGSV,3,2,11,21,44,219,46,27,39,035,48,12,34,131,44,15,30,057,46,0*6A
$GPGSV,3,3,11,22,27,319,47,14,22,285,42,25,19,171,40,0*58
$GLGSV,2,1,07,76,71,201,44,65,57,041,40,75,48,028,39,72,27,108,39,1*75
$GLGSV,2,2,07,66,25,333,43,77,17,207,37,81,02,280,29,1*41
$GAGSV,2,1,05,01,83,026,35,26,53,024,35,21,38,134,30,12,16,233,21,0*70
$GAGSV,2,2,05,18,,,30,0*7B
```

Table 5.1-8 GSV Data Format

Name	Example	Units	Description
------	---------	-------	-------------

Message ID	\$GPGSV		GSV protocol header GP=GPS/QZSS, GL=GLONASS, GA=GALILEO, BD=BEIDOU
Total number of messages ⁽¹⁾	3		Range 1 to 6
Message number ⁽¹⁾	1		Range 1 to 6
Satellites in view	11		
Satellite ID ⁽²⁾	18		Channel 1 (Range 01 to 196)
Elevation	67	degrees	Channel 1 (Range 00 to 90)
Azimuth	344	degrees	Channel 1 (Range 000 to 359)
SNR (C/No)	48	dB-Hz	Channel 1 (Range 00 to 99, null when not tracking)
Satellite ID	09		Channel 4 (Range 01 to 196)
Elevation	55	degrees	Channel 4 (Range 00 to 90)
Azimuth	031	degrees	Channel 4 (Range 000 to 359)
SNR (C/No)	50	dB-Hz	Channel 4 (Range 00 to 99, null when not tracking)
	...		
Signal ID	0		GPS/QZSS: All signal=0, GLONASS: All signal=0, G1 C/A=1 GALILEO: All signal=0, BEIDOU: All signal=0 (NMEA Ver 4.10 support only)
Checksum	*51		
<CR> <LF>			End of message termination

Note (1): Depending on the number of satellites tracked multiple messages of GSV data may be required.

Note (2): GPS ID: 01~32, SBAS ID: 33~64, QZSS ID: 193~196, BEIDOU ID: 01~32, GALILEO ID: 01~32

● RMC---Recommended Minimum Specific GNSS Data

Table 5.1-9 contains the values for the following example:

\$GNRMC,183015.000,A,2503.7123,N,12138.7446,E,0.01,34.92,270812,,D,V*39

Table 5.1-9 RMC Data Format

Name	Example	Units	Description
Message ID	\$GNRMC		RMC protocol header
UTC Time	183015.000		hhmmss.sss
Status	A		A=data valid or V=data not valid
Latitude	2503.7123		ddmm.mmmm
N/S Indicator	N		N=north or S=south
Longitude	12138.7446		dddmm.mmmm
E/W Indicator	E		E=east or W=west
Speed over ground	0.01	knots	True

Course over ground	34.92	degrees	
Date	270812		ddmmyy
Magnetic variation		degrees	
Variation sense			E=east or W=west (Not shown)
Mode	D		N = No position fix A = Autonomous GNSS fix D = Differential GNSS fix R = RTK fixed F = RTK float E = Estimated/Dead reckoning fix
Navigational status indicator	V		S = Safe C = Caution U = Unsafe V = Void (NMEA Ver 4.10 support only)
Checksum	*39		
<CR> <LF>			End of message termination

● VTG---Course Over Ground and Ground Speed

Table 5.1-10 contains the values for the following example:

\$GNVTG,196.90,T,,M,0.01,N,0.01,K,D*21

Table 5.1-10 VTG Data Format

Name	Example	Units	Description
Message ID	\$GNVTG		VTG protocol header
Course over ground	196.90	degrees	Measured heading
Reference	T		True
Course over ground		degrees	Measured heading
Reference	M		Magnetic
Speed over ground	0.01	knots	Measured speed
Units	N		Knots
Speed over ground	0.01	km/hr	Measured speed
Units	K		Kilometer per hour
Mode	D		N = No position fix A = Autonomous GNSS fix D = Differential GNSS fix R = RTK fixed F = RTK float

			E = Estimated/Dead reckoning fix
Checksum	*21		
<CR> <LF>			End of message termination

5.2 Proprietary NMEA input/output message

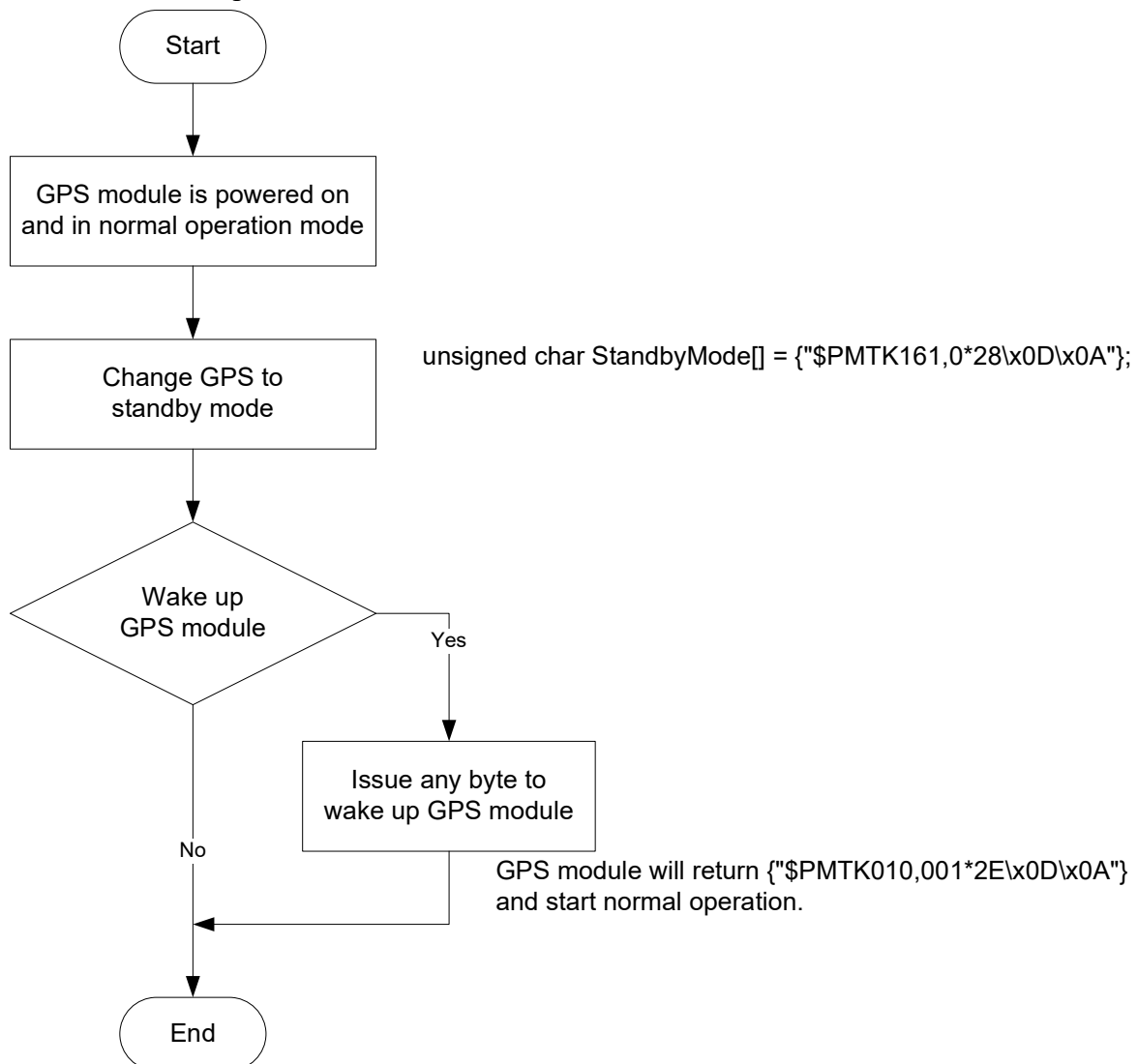
Please refer to MTK proprietary message.

5.3 Examples to configure the power mode of GNSS module

The GNSS module supports different power modes that user can configure by issuing software commands.

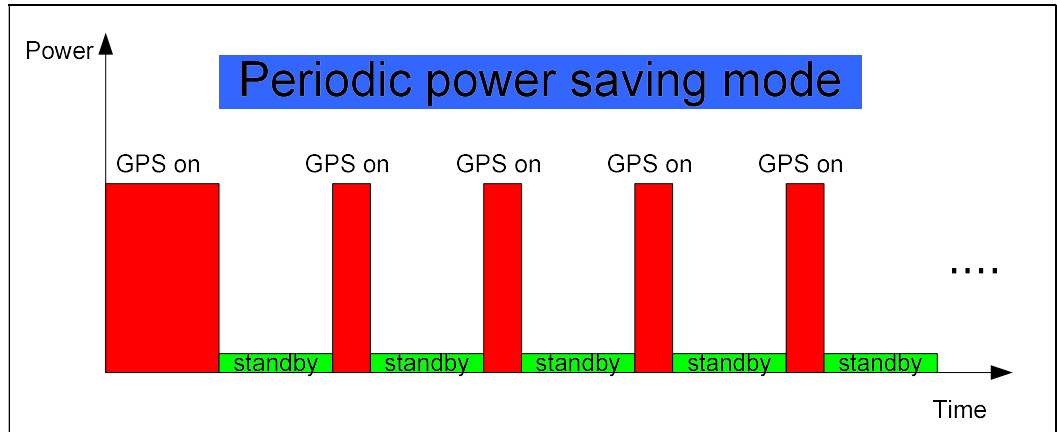
5.3.1 Standby mode

User can issue software command to make GNSS module go into standby mode that consumes less than 500uA current. GNSS module will be awaked when receiving any byte. The following flow chart is an example to make GNSS module go into standby mode and then wake up.

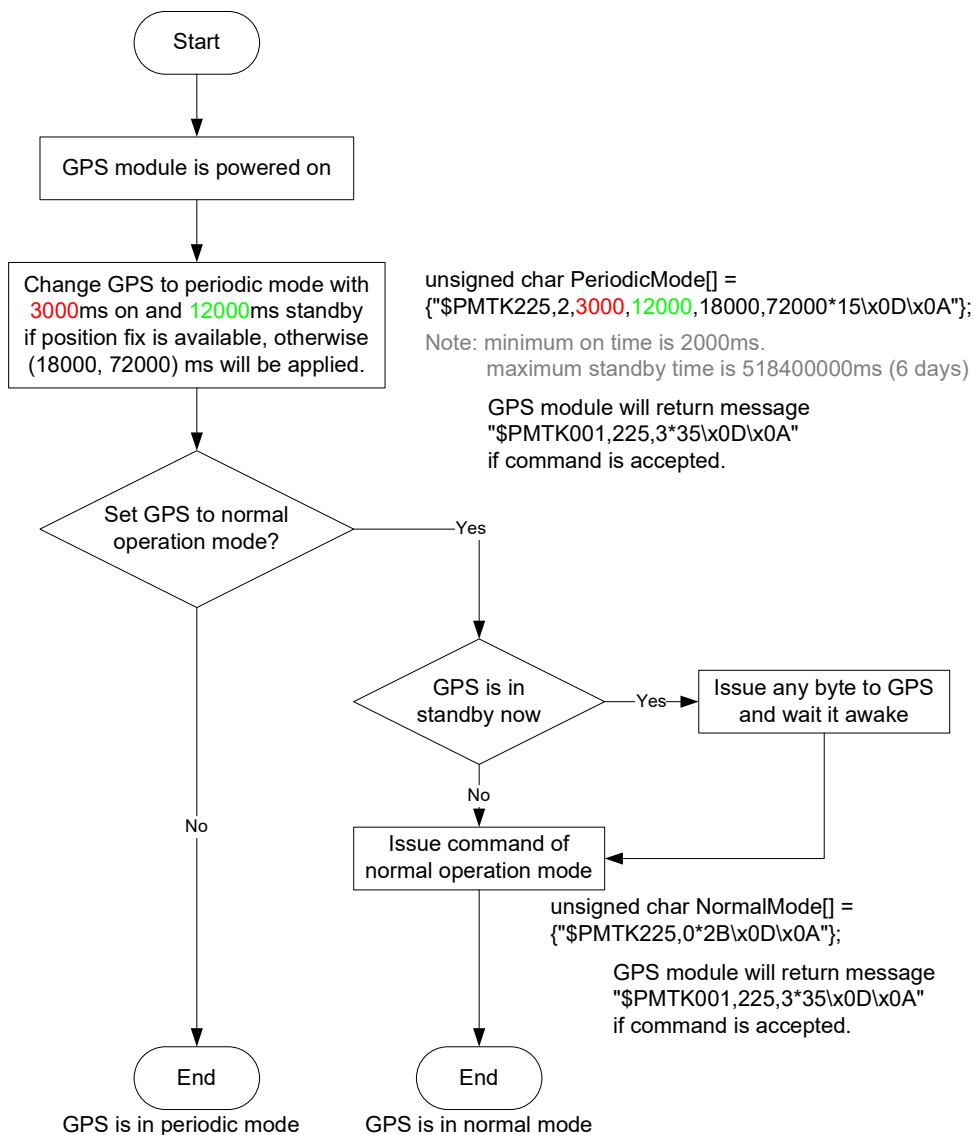


5.3.2 Periodic mode

When GNSS module is commanded to periodic mode, it will be in operation and standby periodically. Its status of power consumption is as below chart.



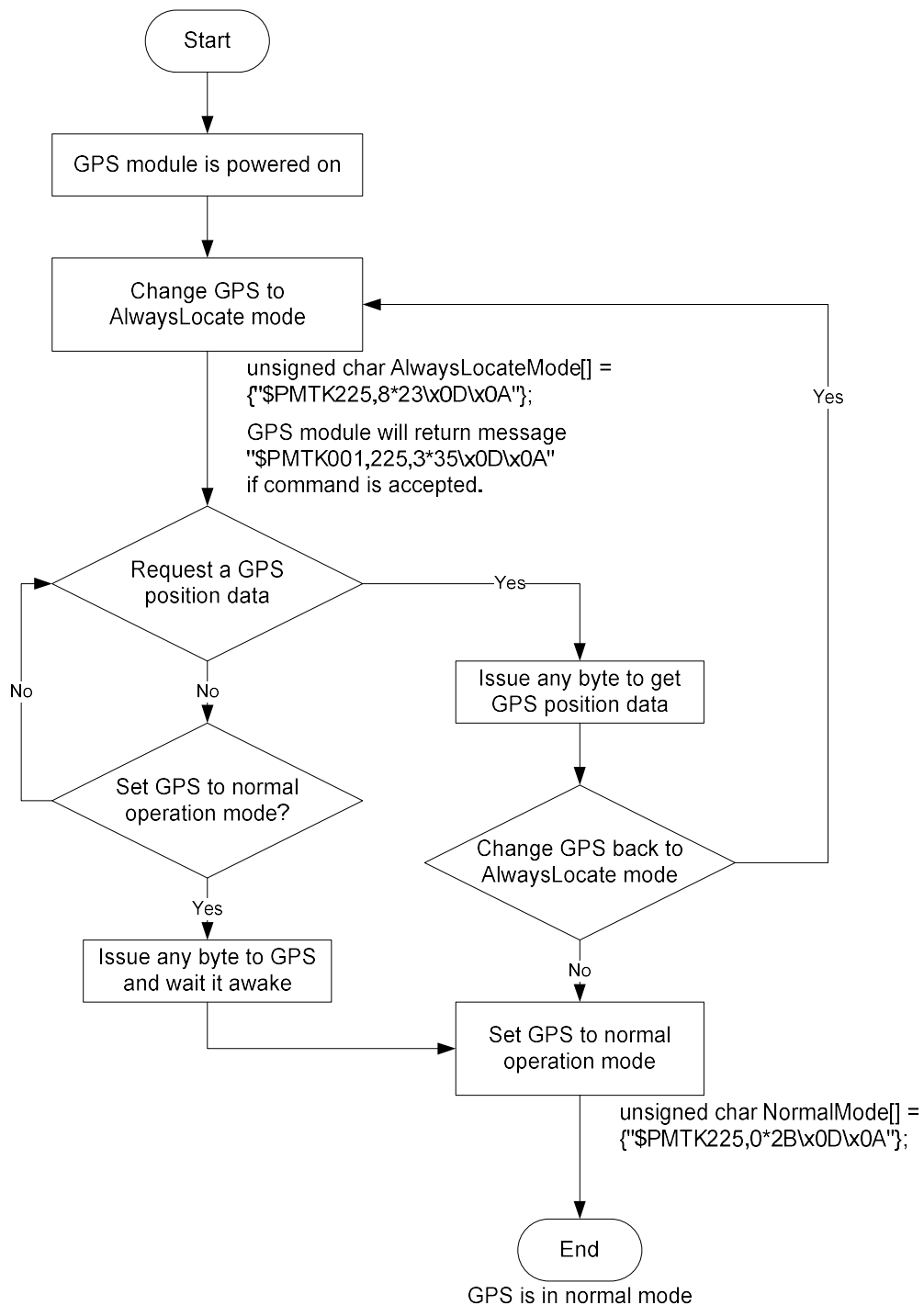
The following flow chart is an example to make GNSS module go into periodic mode and then back to normal operation mode.



5.3.3 AlwaysLocate™ mode

AlwaysLocate™ is an intelligent controller of periodic mode. Depending on the environment and motion conditions, GNSS module can adaptively adjust working/standby time to achieve balance of positioning accuracy and power consumption. In this mode, the host CPU does not need to control GNSS module until the host CPU needs the GNSS position data. The following flow chart is an example to make GNSS module go into AlwaysLocate™ mode and then back to normal operation mode.

Note: AlwaysLocate™ is a trade mark of MTK.



5.4 Data logger

The GNSS module has internal flash memory for logging GNSS data. The configurations include time interval, distance, speed, logging mode, and ... etc. For more information, please contact us.

5.5 Examples to configure the update rate of GNSS module

The GNSS module supports up to 10Hz update rate that user can configure by issuing software commands. Note that the configurations by software commands are stored in the battery-backed SRAM that is powered through VBACKUP pin. Once it drains out, the default/factory settings will be applied.

Due to the transmitting capacity per second of the current baud rate, GNSS module has to be changed to higher baud rate for high update rate of position fix. The user can use the following software commands to change baud rate.

Baud rate	Software command
Factory default	\$PMTK251,0*28<CR><LF>
4800	\$PMTK251,4800*14<CR><LF>
9600	\$PMTK251,9600*17<CR><LF>
19200	\$PMTK251,19200*22<CR><LF>
38400	\$PMTK251,38400*27<CR><LF>
57600	\$PMTK251,57600*2C<CR><LF>
115200	\$PMTK251,115200*1F<CR><LF>

Note: <CR> means Carriage Return, i.e. 0x0D in hexadecimal. <LF> means Line Feed, i.e. 0x0A in hexadecimal.

If the user does not want to change baud rate, you can reduce the output NMEA sentences by the following software commands.

NMEA sentence	Software command
Factory default	\$PMTK314,-1*04<CR><LF>
Only GLL at 1Hz	\$PMTK314,1,0,0,0,0,0,0,0,0,0,0,0,0,0,0,0,0,0,0,0*29<CR><LF>
Only RMC at 1Hz	\$PMTK314,0,1,0,0,0,0,0,0,0,0,0,0,0,0,0,0,0,0,0,0*29<CR><LF>
Only VTG at 1Hz	\$PMTK314,0,0,1,0,0,0,0,0,0,0,0,0,0,0,0,0,0,0,0,0*29<CR><LF>
Only GGA at 1Hz	\$PMTK314,0,0,0,1,0,0,0,0,0,0,0,0,0,0,0,0,0,0,0,0*29<CR><LF>
Only GSA at 1Hz	\$PMTK314,0,0,0,0,1,0,0,0,0,0,0,0,0,0,0,0,0,0,0,0*29<CR><LF>
Only GSV at 1Hz	\$PMTK314,0,0,0,0,0,1,0,0,0,0,0,0,0,0,0,0,0,0,0,0*29<CR><LF>
Only ZDA at 1Hz	\$PMTK314,0,0,0,0,0,0,0,0,0,0,0,0,0,0,0,0,0,0,0,1,0*29<CR><LF>
RMC, GGA, GSA at 1Hz and GSV at 0.2Hz	\$PMTK314,0,1,0,1,1,5,0,0,0,0,0,0,0,0,0,0,0,0,0,0*2C<CR><LF>

If the command is correct and executed, GNSS module will output message
\$PMTK001,314,3*36<CR><LF>

After the GNSS module is changed to higher baud rate or reduced NMEA sentence, the user can configure it to high update rate of position fix by the following commands.

Interval of position fix	Software command
Every 100ms (10Hz) ⁽¹⁾	\$PMTK220,100*2F<CR><LF>
Every 200ms (5Hz)	\$PMTK220,200*2C<CR><LF>
Every 500ms (2Hz)	\$PMTK220,500*2B<CR><LF>
Every 1000ms (1Hz)	\$PMTK220,1000*1F<CR><LF>
Every 2000ms (0.5Hz) ⁽²⁾	\$PMTK220,2000*1C<CR><LF>
If the command is correct and executed, GNSS module will output message \$PMTK001,220,3*30<CR><LF>	

Note 1: The minimum interval of position fix is 100ms, i.e. the maximum update rate is 10Hz.

Note 2: The current consumption is the same with the update rate of 1Hz.

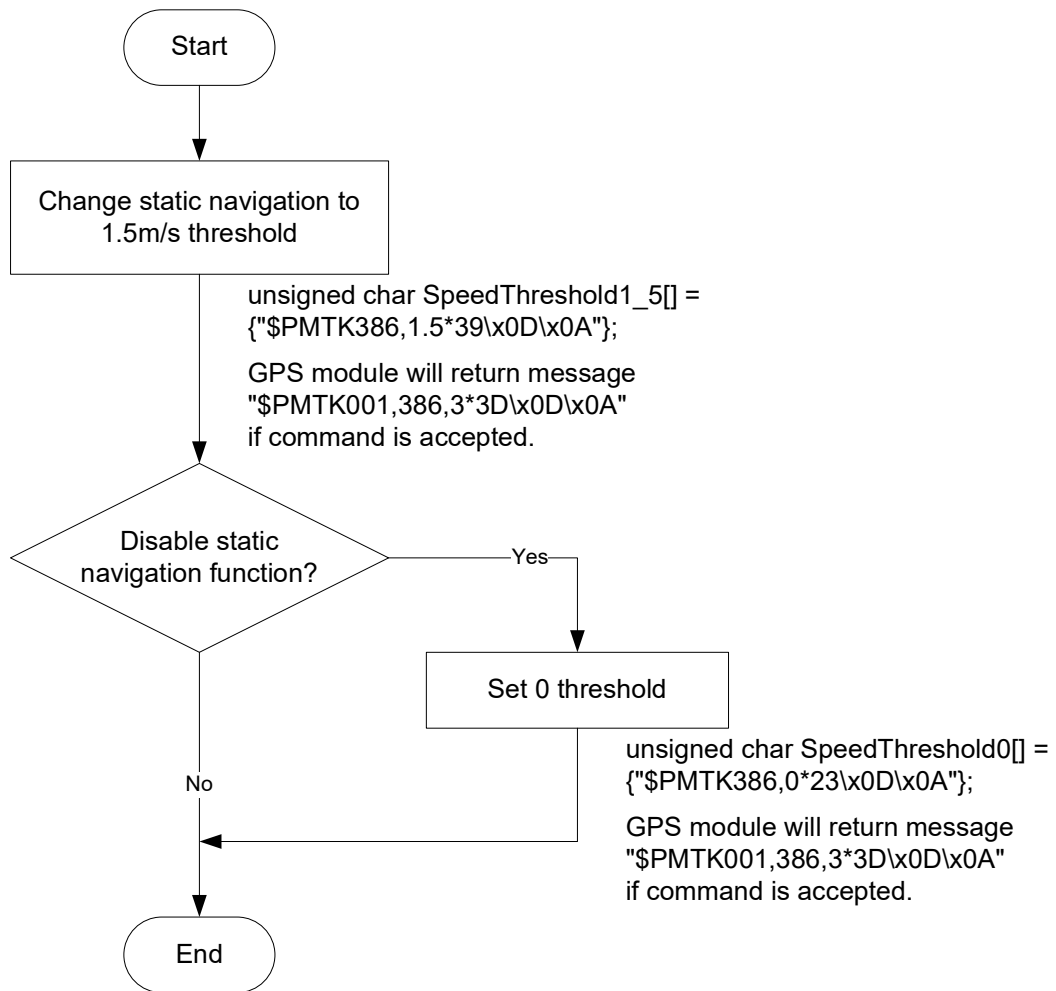
5.6 Configure the static navigation parameter

The output position of GNSS module will keep the same and output speed will be zero if the actual speed is below the threshold of the static navigation parameter. This is useful for different applications. For example, the car stopped at a red light will get stationary GNSS position if the threshold is 1.5m/s. It is better to disable this function by setting threshold to 0 for pedestrian navigation.

The format of the software command is as below.

\$PMTK386,speed threshold*checksum<CR><LF>

The unit of speed threshold is meter per second. The range of speed threshold is from 0.1m/s to 2.0m/s. Value 0 is to disable the function.



5.7 Receive NMEA data through I2C interface

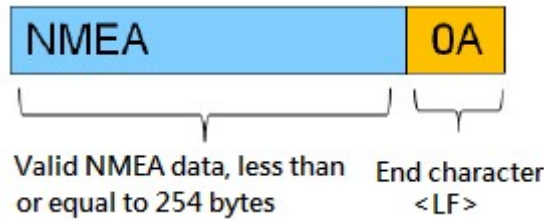
I2C slave address is 0x10. I2C TX buffer of GNSS module has 255 bytes. Master can read one I2C data packet maximum 255 bytes at a time. In order to read entire NMEA packet of one second, master needs to read several I2C data packets and extract valid NMEA data from them.

After reading one I2C data packet, master needs to sleep 5ms to read next I2C data packet because GNSS module spends 5ms to upload new I2C data into its I2C buffer.

5.7.1 I2C data packet format in slave buffer

I2C data packet in slave buffer has 254 valid NMEA bytes at most and one end character <LF>, so master must read maximum 255 bytes as an I2C data packet at a time. When slave buffer is empty, master will read one I2C data packet with all garbage byte, i.e. <LF>.

Packet format in slave buffer:



Example:

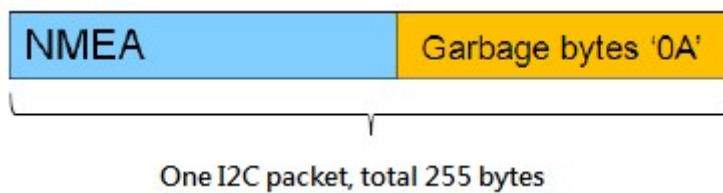
There are 254 valid NMEA bytes and 1 end character <LF> in I2C slave buffer as following figure.

Offset	0	1	2	3	4	5	6	7	8	9	A	B	C	D	E	F	ASCII
0x0000	24	47	50	47	47	41	2C	31	32	33	36	32	31	2E	30	30	\$GPGGA,123621.00
0x0010	30	2C	33	30	38	32	31	35	30	30	33	2C	4E	2C	31	30	0,3032.5003,N,10
0x0020	34	30	34	2E	32	31	35	34	2C	45	2C	31	2C	31	30	2C	404.2134,E,1,10,
0x0030	30	2E	38	31	2C	35	38	39	2E	32	2C	4D	2C	2D	33	31	0.81,589.2,M,-31
0x0040	2E	39	2C	4D	2C	2C	2A	34	30	0D	0A	24	47	50	47	53	.9,M,,*40*\$GPGS
0x0050	41	2C	41	2C	33	2C	33	32	2C	31	34	2C	31	32	2C	32	A,A,3,32,14,12,2
0x0060	39	2C	32	32	2C	32	35	2C	31	39	33	2C	33	31	2C	30	9,22,25,193,31,0
0x0070	31	2C	31	38	2C	2C	2C	31	2E	33	37	2C	30	2E	38	31	1,18,,1.37,0.81
0x0080	2C	31	2E	31	31	2A	33	35	0D	0A	24	47	50	47	53	56	,1.11*35*\$GPGSV
0x0090	2C	34	2C	31	2C	31	33	2C	33	31	2C	36	36	2C	33	30	,4,1,13,31,66,30
0x00A0	38	2C	34	36	2C	31	34	2C	35	35	2C	30	35	37	2C	34	8,46,14,55,057,4
0x00B0	36	2C	32	35	2C	34	31	2C	30	35	35	2C	34	34	2C	32	6,25,41,055,44,2
0x00C0	32	2C	33	38	2C	31	36	34	2C	34	36	2A	37	38	0D	0A	2,38,164,46*78..
0x00D0	24	47	50	47	53	56	2C	34	2C	32	2C	31	33	2C	33	32	\$GPGSV,4,2,13,32
0x00E0	2C	33	38	2C	33	31	32	2C	34	34	2C	35	30	2C	33	33	,38,312,44,50,33
0x00F0	2C	31	32	30	2C	33	39	2C	31	39	33	2C	31	33	0A		,120,39,193,13.

valid NMEA data bytes
End char <LF>

5.7.2 Three types of I2C packet that master may read

- I. When slave buffer already has some data, master read one I2C packet (255 bytes). It includes some valid data in the header of packet and some garbage bytes in the end of packet.



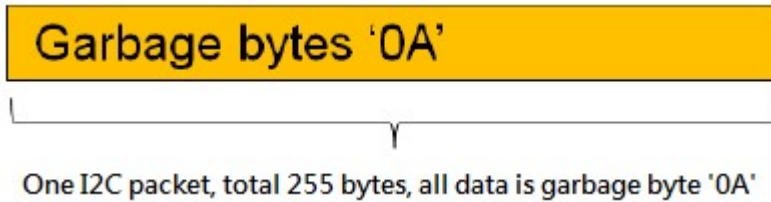
Example:

If slave buffer has 202 bytes NMEA data, master reads one I2C packet (255 bytes), the read packet format is as following.

Offset	0	1	2	3	4	5	6	7	8	9	A	B	C	D	E	F	ASCII
0x0000	32	2C	31	32	2C	34	32	2C	33	37	2C	31	32	35	2C	34	2, 12, 42, 37, 125, 4
0x0010	30	2C	31	31	31	31	31	31	31	31	31	31	31	31	31	31	0, 21, 35, 317, 40, 0
0x0020	35	2C	33	31	2C	30	35	38	2C	34	32	2C	31	38	2C	32	5, 31, 058, 42, 18, 2
0x0030	35	2C	32	38	30	2C	34	32	2A	37	31	0D	0A	24	47	50	5, 280, 42*71, \$GP
0x0040	47	53	56	2C	33	2C	33	2C	31	32	2C	30	32	2C	32	30	GSV, 3, 3, 12, 02, 20
0x0050	2C	31	32	34	2C	34	34	2C	32	34	2C	31	36	2C	31	36	, 124, 44, 24, 16, 16
0x0060	32	2C	33	39	2C	30	39	2C	31	30	2C	30	34	37	2C	33	2, 39, 09, 10, 047, 3
0x0070	39	2C	30	38	2C	30	37	2C	30	34	35	2C	33	35	2A	37	9, 08, 07, 045, 35*7
0x0080	41	0D	0A	24	47	50	52	4D	43	2C	30	36	30	39	35	39	A, \$GPRMC, 060959
0x0090	2E	30	30	30	2C	41	2C	33	30	33	32	2E	35	30	31	38	.000, A, 3032.5018
0x00A0	2C	4E	2C	31	30	34	30	34	2E	32	31	33	37	2C	45	2C	, N, 10404.2137, E,
0x00B0	30	2E	30	30	2C	32	39	35	2E	30	37	2C	32	36	31	32	0.00, 295.07, 2612
0x00C0	31	33	2C	2C	2C	41	2A	36	43	0D	0A	0A	0A	0A	0A	0A	13, ,, D*6C.....
0x00D0	0A	0A	0A	0A	0A	0A	0A	0A	0A	0A	0A	0A	0A	0A	0A	0A
0x00E0	0A	0A	0A	0A	0A	0A	0A	0A	0A	0A	0A	0A	0A	0A	0A	0A
0x00F0	0A	0A	0A	0A	0A	0A	0A	0A	0A	0A	0A	0A	0A	0A	0A	0A

Note: Why garbage byte is '0A'? Because if I2C slave buffer is empty, GNSS module will output last valid byte repeatedly until new data upload into I2C buffer, '0A' is the last valid byte in the last NMEA packet.

- II. When slave buffer is empty, master read one I2C packet (255 bytes). All data in packet are gargabe bytes.

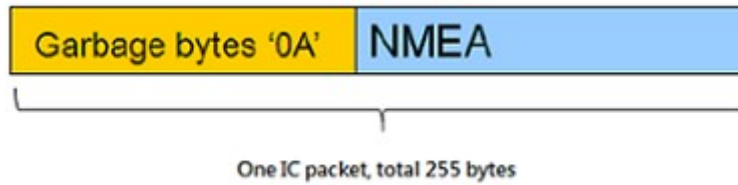


Example:

Offset	0	1	2	3	4	5	6	7	8	9	A	B	C	D	E	F	ASCII
0x0000	0A	0A	0A	0A	0A	0A	0A	0A	0A	0A	0A	0A	0A	0A	0A	0A
0x0010	0A	0A	0A	0A	0A	0A	0A	0A	0A	0A	0A	0A	0A	0A	0A	0A
0x0020	0A	0A	0A	0A	0A	0A	0A	0A	0A	0A	0A	0A	0A	0A	0A	0A
0x0030	0A	0A	0A	0A	0A	0A	0A	0A	0A	0A	0A	0A	0A	0A	0A	0A
0x0040	0A	0A	0A	0A	0A	0A	0A	0A	0A	0A	0A	0A	0A	0A	0A	0A
0x0050	0A	0A	0A	0A	0A	0A	0A	0A	0A	0A	0A	0A	0A	0A	0A	0A
0x0060	0A	0A	0A	0A	0A	0A	0A	0A	0A	0A	0A	0A	0A	0A	0A	0A
0x0070	0A	0A	0A	0A	0A	0A	0A	0A	0A	0A	0A	0A	0A	0A	0A	0A
0x0080	0A	0A	0A	0A	0A	0A	0A	0A	0A	0A	0A	0A	0A	0A	0A	0A
0x0090	0A	0A	0A	0A	0A	0A	0A	0A	0A	0A	0A	0A	0A	0A	0A	0A
0x00A0	0A	0A	0A	0A	0A	0A	0A	0A	0A	0A	0A	0A	0A	0A	0A	0A
0x00B0	0A	0A	0A	0A	0A	0A	0A	0A	0A	0A	0A	0A	0A	0A	0A	0A
0x00C0	0A	0A	0A	0A	0A	0A	0A	0A	0A	0A	0A	0A	0A	0A	0A	0A
0x00D0	0A	0A	0A	0A	0A	0A	0A	0A	0A	0A	0A	0A	0A	0A	0A	0A
0x00E0	0A	0A	0A	0A	0A	0A	0A	0A	0A	0A	0A	0A	0A	0A	0A	0A
0x00F0	0A	0A	0A	0A	0A	0A	0A	0A	0A	0A	0A	0A	0A	0A	0A	0A

- III. If slave buffer is empty, master start to read one I2C packet (will read gargabe bytes)

in the beginning). When this reading procedure is not over, master will read valid N

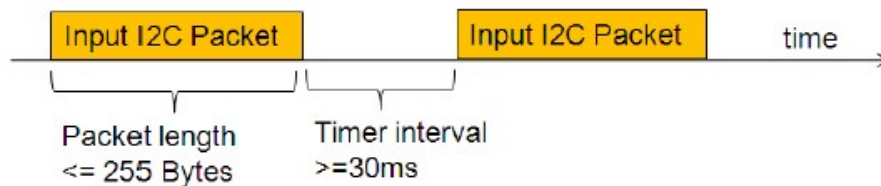


Example:

Offset	0	1	2	3	4	5	6	7	8	9	A	B	C	D	E	F	ASCII
0x0000	0A	0A	0A	0A	0A	0A	0A	0A	0A	0A	0A	0A	0A	0A	0A	0A
0x0010	0A	0A	0A	0A	0A	0A	0A	0A	0A	0A	0A	0A	0A	0A	0A	0A
0x0020	0A	0A	0A	0A	0A	0A	0A	0A	0A	0A	0A	0A	0A	0A	0A	0A
0x0030	0A	0A	0A	0A	0A	0A	0A	0A	0A	0A	0A	0A	0A	0A	0A	0A
0x0040	0A	0A	0A	0A	0A	0A	0A	24	47	50	47	47	41	2C	30	\$GPGGA,0
0x0050	37	31	34	33	38	2E	30	30	30	2C	33	30	33	32	2E	35	71438.000,3032.5
0x0060	30	31	31	2C	4E	2C	31	30	34	30	34	2E	32	31	31	33	011,N,10404.2113
0x0070	2C	45	2C	32	2C	31	30	2C	30	2E	38	35	2C	35	37	35	,E,2,10,0.85,575
0x0080	2E	31	2E	30	2A	38	31	31	31	2C	30	47	30	30	30	30	.4,M,-31.9,M,000
0x0090	30	2C	30	30	30	30	2A	34	38	0D	0A	24	47	50	47	53	0,0000*48-\$GPGS
0x00A0	41	2C	41	2C	33	2C	30	36	2C	31	39	33	2C	32	32	2C	A,A,3,06,193,22,
0x00B0	30	35	2C	32	36	2C	31	38	2C	31	35	2C	32	31	2C	32	05,26,18,15,21,2
0x00C0	34	2C	32	39	2C	2C	31	2E	34	37	2C	30	2E	38	35		4,29,,1.47,0.85
0x00D0	2C	31	2E	31	39	2A	33	42	0D	0A	24	47	50	47	53	56	,1.19*3B-\$GPGSV
0x00E0	2C	34	2C	31	2C	31	33	2C	31	35	2C	36	35	2C	30	32	,4,1,13,15,65,02
0x00F0	38	2C	34	36	2C	32	31	2C	36	31	2C	33	31	33	2C		8,46,21,61,313,

5.8 Write command through I2C interface

User can input MTK proprietary message through I2C bus. The maximum input bytes of one I2C packet is 255. The time interval of two input I2C packets can't be less than 30 milliseconds because GNSS module needs 30 milliseconds to process input data.



6 Pin assignment and descriptions

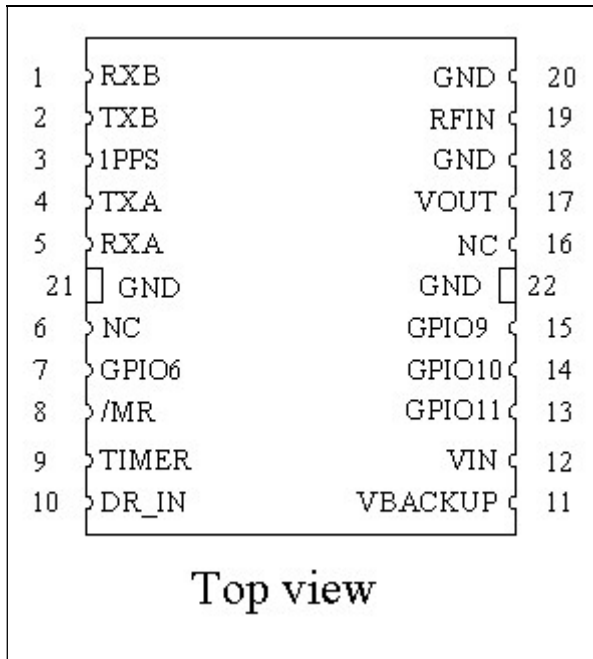


Table 6-1 Pin descriptions

Pin #	Name	Type	Description	Note
1	RXB I2C_SCL	I	Serial input for channel B, or NMEA I2C_SCL	1
2	TXB I2C_SDA	O/I	Serial output for channel B, or NMEA_I2C_SDA	1
3	1PPS	O	Pulse per second (default 100 ms pulse/sec when 3D fix is available)	
4	TXA	O	Serial output for channel A (Default NMEA)	
5	RXA	I	Serial input for channel A (Default NMEA)	
6	NC		Not connect	
7	GPIO6	I/O	General purpose I/O (Default status indicator. When GNSS position fix is available, it outputs 50ms high per second, otherwise it outputs low.)	
8	/MR	I	Manual reset input pin. Active at “L” input. Internal pulled up via a resistor. If /MR pin is not necessary, open this node.	
9	TIMER	OD	Open drain. Wake up other device from RTC.	
10	DR_IN	I	Wakeup signal input from such a G sensor. Internal pulled down. If this pin is not necessary, open this node. Note: this function is default disabled.	
11	VBACKUP	P	Backup battery supply voltage	2

			This pin must be powered to enable the module.	
12	VIN	P	DC supply voltage	
13	GPIO11	I/O	General purpose I/O	
14	GPIO10	I/O	General purpose I/O	
15	GPIO9	I/O	General purpose I/O	
16	NC		Not connect	
17	VOUT	P	Linear regulator power output, 2.8V (Do not use this as power source of backup battery)	
18	GND	P	Ground	
19	RFIN	I	GNSS RF signal input	
20	GND	P	Ground	
21	GND	P	Ground	
22	GND	P	Ground	

<Note>

1. Work on I2C slave mode with slave address 0x10. The bit rate is up to 400K bit/s. I2C function is default disabled. Please contact us to enable it.
2. In order to get the advantage of hybrid ephemeris prediction, this pin must be always powered during the period of effective ephemeris prediction.

7 DC & Temperature characteristics

7.1 Absolute maximum ratings

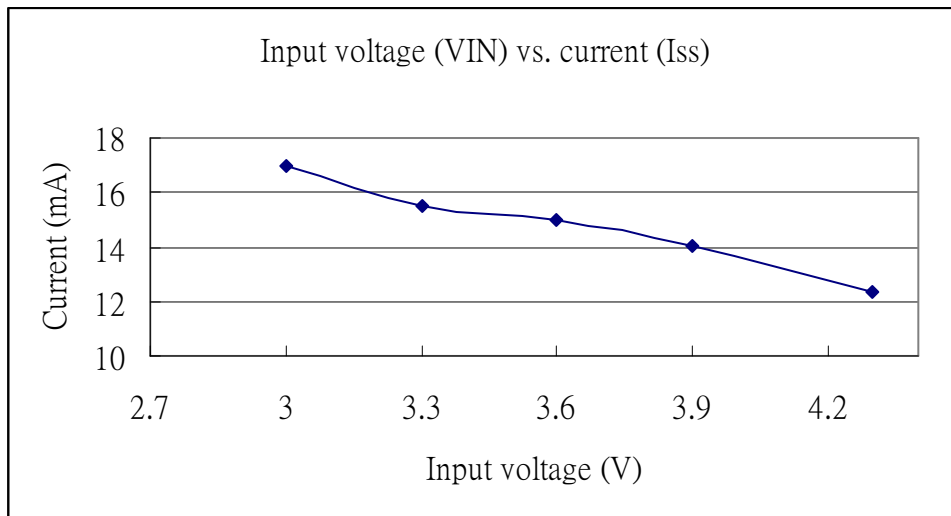
Parameter	Symbol	Ratings	Units
Input Voltage	VIN	4.3	V
Input Backup Battery Voltage	VBACKUP	4.3	V
2.8V Output Current	Iout	50	mA
Operating Temperature Range	Topr	-40 ~ 85	°C
Storage Temperature Range	Tstg	-40 ~ 85	°C

7.2 DC Electrical characteristics

Parameter	Symbol	Conditions	Min.	Typ.	Max.	Units
Input Voltage	VIN		3.0	3.3	4.3	V
Input Backup Battery Voltage	VBACKUP		2.0		4.3	V
VOUT Output Voltage	VOUT		2.7	2.8	2.9	V
Supply Current	Iss	VCC = 3.3V, w/o active antenna,			150 ⁽¹⁾	mA
		Peak		24		mA
		Acquisition		16 ⁽²⁾		mA
		Tracking		365		uA
Standby						
Backup Battery Current	Ibat	VIN = 0V		7		uA
VOUT Output Current	Iout	VIN = 3.3V			30	mA
High Level Input Voltage	V _{IH}		2.0		3.6	V
Low Level Input Voltage	V _{IL}		-0.3		0.8	V
High Level Input Current	I _{IH}	no pull-up or down	-1		1	uA
Low Level Input Current	I _{IL}	no pull-up or down	-1		1	uA
High Level Output Voltage	V _{OH}		2.4		3.3	V
Low Level Output Voltage	V _{OL}				0.4	V
High Level Output Current	I _{OH}			2		mA
Low Level Output Current	I _{OL}			2		mA
Minimum Pulse Width	T _{MPW}	For /MR pin	1			mS

Note (1): This happens when downloading AGPS data to MC-1513-G.

Note (2): Measured when position fix (1Hz) is available, input voltage is 3.3V and the function of self-generated ephemeris prediction is inactive. For different input voltage, the current consumption is as below chart. This is because MC-1513 is built-in DC/DC converter.

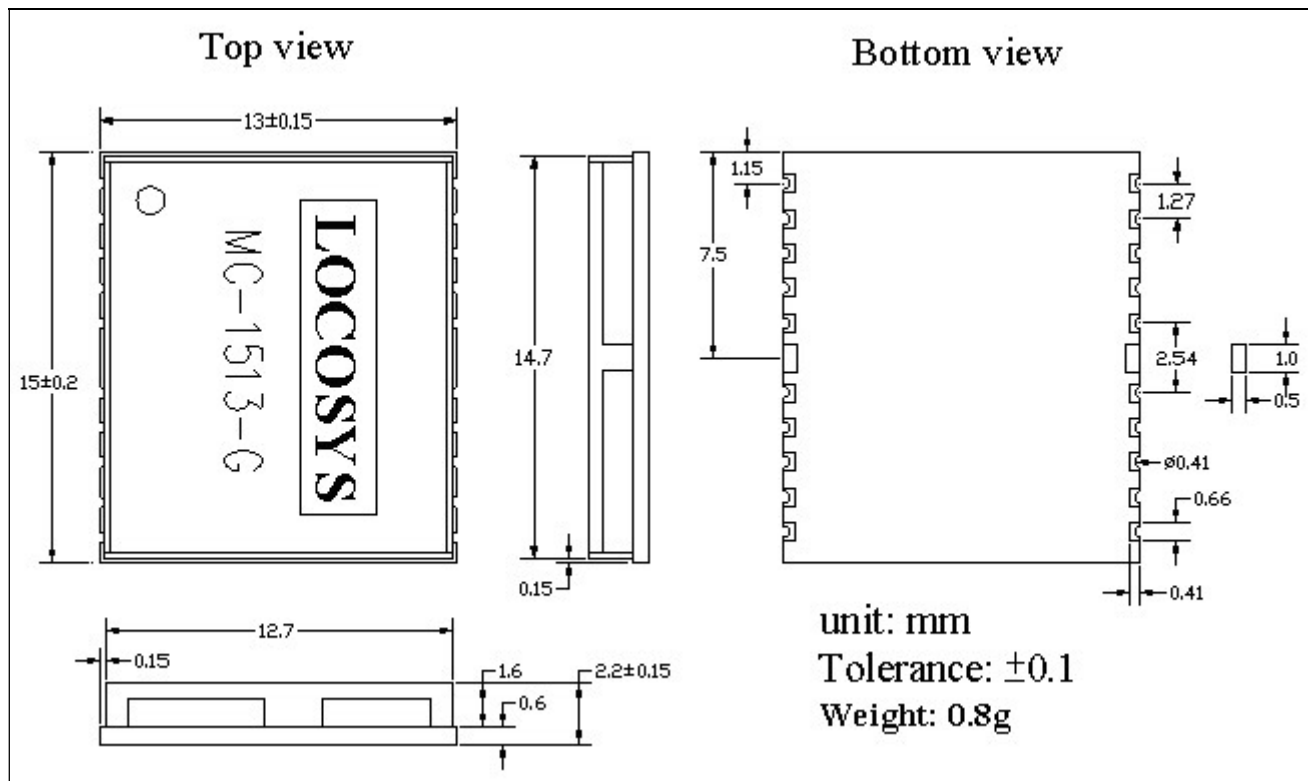


7.3 Temperature characteristics

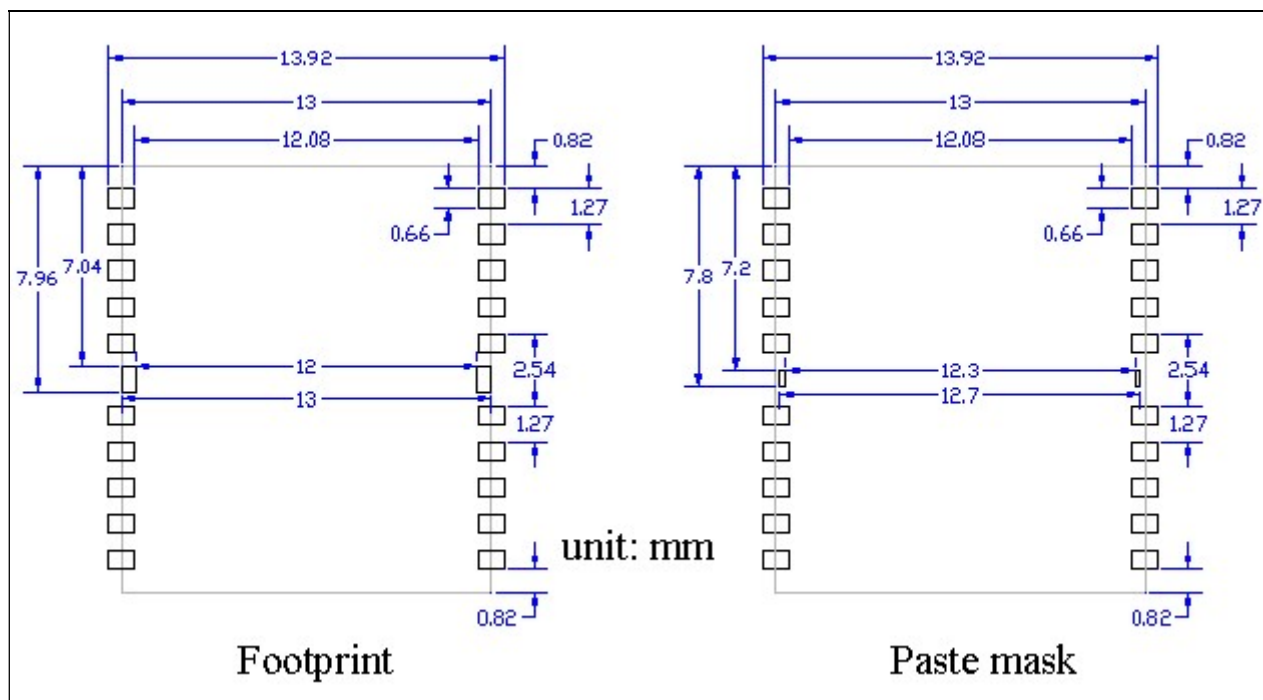
Parameter	Symbol	Min.	Typ.	Max.	Units
Operating Temperature	Topr	-40	-	85	°C
Storage Temperature	Tstg	-40	25	85	°C

8 Mechanical specification

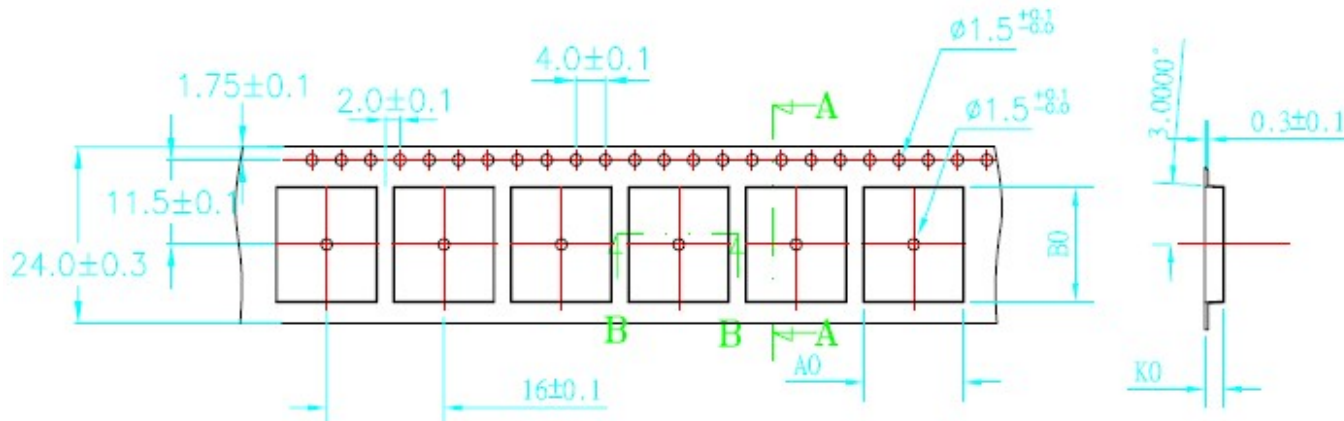
8.1 Outline dimensions



8.2 Recommended land pattern dimensions

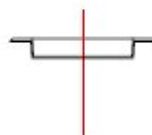


9 Reel Packing information



SECTION A-A

ITEM	DIM	ALTERNATE
A0	13.5 ^{+0.10} _{-0.10}	
B0	15.5 ^{+0.10} _{-0.10}	
K0	2.5 ^{+0.10} _{-0.10}	



SECTION B-B

1. 10 sprocket hole pitch cumulative tolerance $\pm 0.20\text{mm}$.
2. Carrier camber not to exceed 1mm in 100mm.
3. A0 and B0 measured on a plane 0.3mm above the bottom of the pocket.
4. K0 measured from a plane on the inside bottom of the pocket to the top surface of the carrier.
5. All dimensions meet EIA-481-2 requirements.
6. Material: Black Anti-Static Polystyrene.
7. Component load per 13" reel :1000 pcs.

Document change list

Revision 1.0

- First release on Dec. 20, 2012.

Revision 1.0 to Revision 1.1 (March 10, 2014)

- Added I2C interface.
- Added Fig 3-5
- Added section 5.7 and 5.8.

Revision 1.1 to Revision 1.2 (April 29, 2020)

- Added “Note 1” in the section 4.

Revision 1.2 to revision 1.3 (July 24, 2020)

- Revised protocol support NMEA 0183 version from 4.10 to 4.00 in the section 4.
- Added “Note 2” in the section 4.
- Revised section 5.1 NMEA output message.