

DAM-D2-K1-N0-000-04-02 Specification

1. Explanation of Part Number

DAM – D2 – K1 – N0 - 000- 04 - 02
 (1) (2) (3) (4) (5) (6) (7)

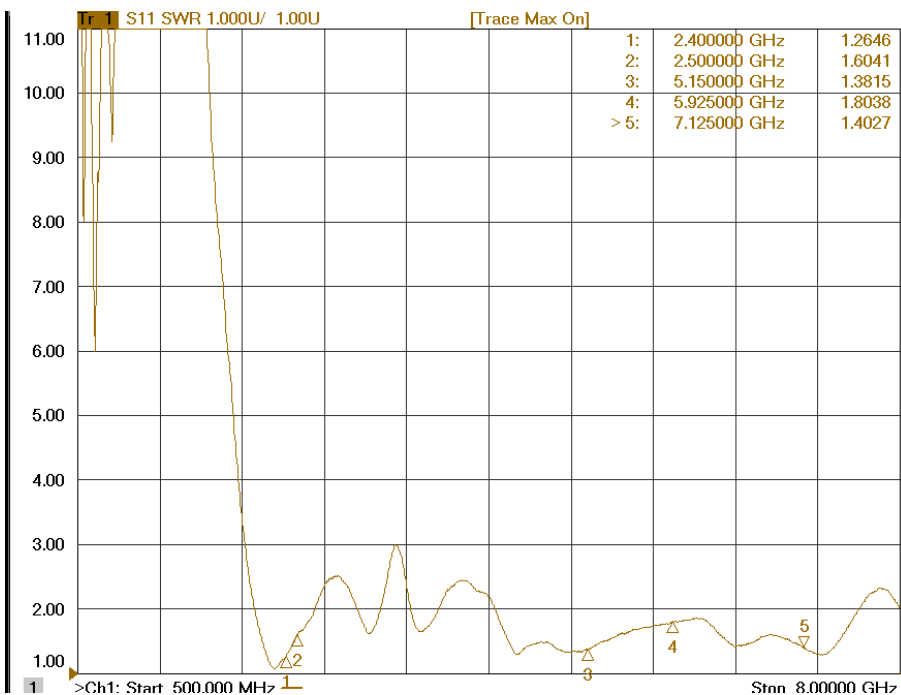
- (1) Product type: DAM-Dipole Antenna Module
- (2) Appearance Series: D2
- (3) Frequency: K1:2400-2500MHz,5150-7125MHz
- (4) Coaxial Cable Specification: N0
- (5) Coaxial Cable Length: 0mm
- (6) Connector Types: 04= SMA
- (7) Suffix for special requirements: 02

※ RoHS Compliant

2. Electrical properties:

Item	Property
Frequency Range	2400-2500,5150-7125 MHz
Impedance	50 Ω (Typ.)
Antenna Gain	Low Band 3.5 dBi / High Band : 5dBi max
VSWR	3.0 max.

2-1 VSWR



UNLESS OTHER SPECIFIED TOLERANCES ON :

X=NA X.X=NA X.XX=NA
 ANGLE=NA HOLE DIA.= NA



INPAQ TECHNOLOGY CO., LTD.

SCALE : NA UNIT : mm

DRAWN BY : 彭少君 CHECKED BY: 洪賢修

DESIGNED BY: 彭少君 APPROVED BY: 謝立庭

THIS DRAWINGS AND SPECIFICATIONS ARE THE PROPERTY OF INPAQ TECHNOLOGY CO.,LTD.AND SHALL NOT BE REPRODUCED OR USED AS THE BASIS FOR THE MANUFACTURE OR SALE OF APPARATUS OR DEVICES WITHOUT PERMISSION

TITLE : DAM-D2-K1-N0-000-04-02

DOCUMENT NO.

ENS000147270

PAGE REV.

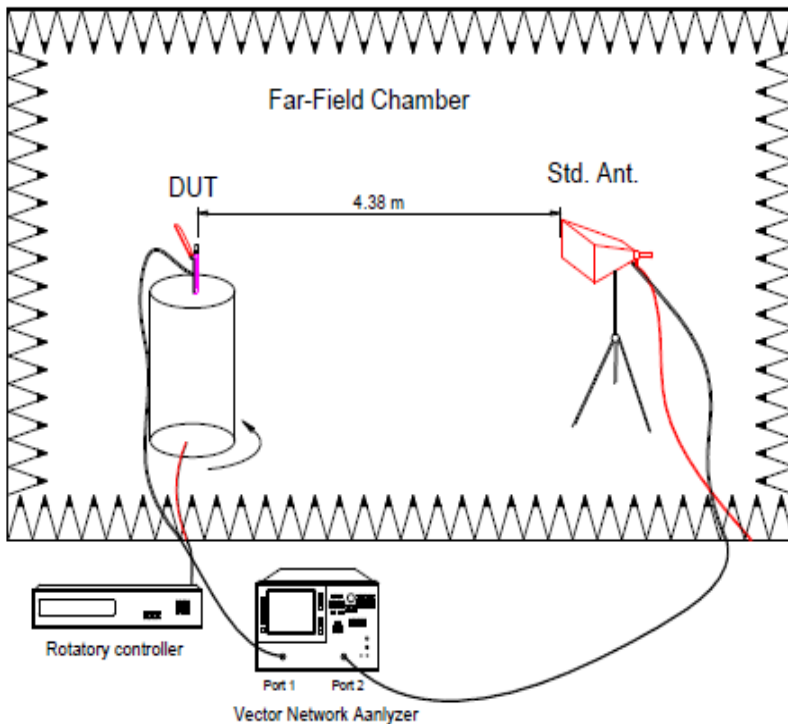
A0

2-1 Gain and Radiation Pattern


2-2.1 Measure method

1. Using a low loss coaxial cable to link a standard handset jig
2. Fixed this handset jig on chamber's rotator plane
3. Linking jig into network analyzer port and using a probing horn antenna to collect data
4. Using another standard gain horn antenna to calibrated those data

2-2.2 Chamber definition



1. An anechoic chamber (7m*4m*3m) which satisfied far-field condition was applied to avoid multi-path effect
2. The quiet room region is 40cm*40cm*40cm at the center of rotator
3. The distance between DUT and standard antenna is 4.38m
4. Probing antenna (9120D horn antenna) and standard gain horn antenna (BBHA9120LPF 700MHz~6GHz)

UNLESS OTHER SPECIFIED TOLERANCES ON :		 INPAQ TECHNOLOGY CO., LTD.
X=NA X.X=NA X.XX=NA ANGLE=NA HOLE DIA.= NA		
SCALE : NA	UNIT : mm	THIS DRAWINGS AND SPECIFICATIONS ARE THE PROPERTY OF INPAQ TECHNOLOGY CO.,LTD.AND SHALL NOT BE REPRODUCED OR USED AS THE BASIS FOR THE MANUFACTURE OR SALE OF APPARATUS OR DEVICES WITHOUT PERMISSION
DRAWN BY : 彭少君	CHECKED BY: 洪賢修	
DESIGNED BY:彭少君	APPROVED BY:謝立庭	
TITLE : DAM-D2-K1-N0-000-04-02		DOCUMENT NO. ENS000147270
		PAGE REV. A0

2-2.3 Efficiency & Gain (dBi)

Frequency	Efficiency	Peak Gain
MHz	%	dBi
2400	82.7	3.28
2450	84.54	3.44
2500	82.79	3.29
5150	74.99	3.97
5470	77.27	4.38
5850	81.28	4.51
5925	80.72	4.44
6225	79.62	4.49
6525	86.5	4.84
6725	79.07	4.35
6925	83.37	4.67
7125	81.66	4.56

UNLESS OTHER SPECIFIED TOLERANCES ON :

X=NA X.X=NA X.XX=NA
 ANGLE=NA HOLE DIA.= NA



INPAQ TECHNOLOGY CO., LTD.

SCALE : NA

UNIT : mm

DRAWN BY : 彭少君

CHECKED BY: 洪賢修

DESIGNED BY: 彭少君

APPROVED BY: 謝立庭

THIS DRAWINGS AND SPECIFICATIONS ARE THE PROPERTY OF INPAQ TECHNOLOGY CO.,LTD.AND SHALL NOT BE REPRODUCED OR USED AS THE BASIS FOR THE MANUFACTURE OR SALE OF APPARATUS OR DEVICES WITHOUT PERMISSION

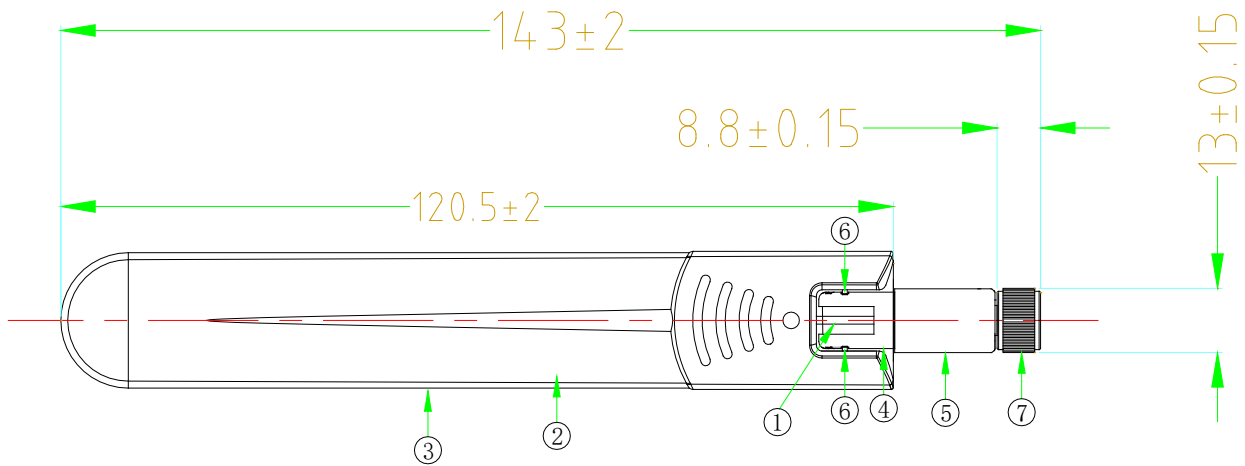
TITLE : DAM-D2-K1-N0-000-04-02

DOCUMENT NO.

ENS000147270

PAGE REV.
A0

3. Mechanical properties:



NO	部件名稱	規格描述	數量
1.	線材	RF 1.37 黑色	1
2.	PCB	103*16.2*0.4	1
3.	桿套	黑色	1
4.	上固	黑色	1
5.	下固	黑色	1
6.	鉚釘	黑色	2
7	連接器	公頭公針	1

UNLESS OTHER SPECIFIED TOLERANCES ON :

X=NA X.X=NA X.XX=NA
 ANGLE=NA HOLE DIA.= NA

SCALE : NA

UNIT : mm

DRAWN BY : 彭少君

CHECKED BY: 洪賢修

DESIGNED BY: 彭少君

APPROVED BY: 謝立庭



INPAQ TECHNOLOGY CO., LTD.

THIS DRAWINGS AND SPECIFICATIONS ARE THE PROPERTY OF INPAQ TECHNOLOGY CO.,LTD.AND SHALL NOT BE REPRODUCED OR USED AS THE BASIS FOR THE MANUFACTURE OR SALE OF APPARATUS OR DEVICES WITHOUT PERMISSION

TITLE : DAM-D2-K1-N0-000-04-02

DOCUMENT
NO.

ENS000147270

PAGE REV.

A0