

2J6A02B

2.4/5.0 GHz ISM Screw Mount

Key Features

2.4/5.0 GHz ISM

- 2410-2490 MHz
- 4920-5925 MHz

Screw Mount

Anti-Rotation Mechanism

Ground Plane Independent

Customizable Cable and Connector

IP67, IK09, IP69K

Dimensions Ø 77.3 × 65.5 mm



Note: Antenna is isolated from ground plane to provide common mode surge protection up to 6kV



1. Antenna and electrical specifications

Parameters	2.4/5.0 GHz ISM Antenna	
Standards	WiFi, BT, ZigBee, ISM	
Band (MHz)	2.4 GHz	5.0 GHz
Frequency (MHz)	2410-2490	4920-5925
Return Loss (dB)	~-11.3	~-12.4
VSWR	~1.8:1	~1.8:1
Efficiency (%)	~50.5	~48
Peak Gain (dBi)	~2.6	~4.4
Average Gain (dB)	~-3.0	~-3.2
Impedance (Ohm)	50	
Polarisation	Linear	
Radiation Pattern	Omni-Directional	
Max. Input Power (W)	25	
Connector Type	SMA-Male Standard (Other Connectors Available)	
Cable Length	300 cm Standard (Any Cable Length Available)	
Cable Type	LMR195 Standard (Other Cables Available)	

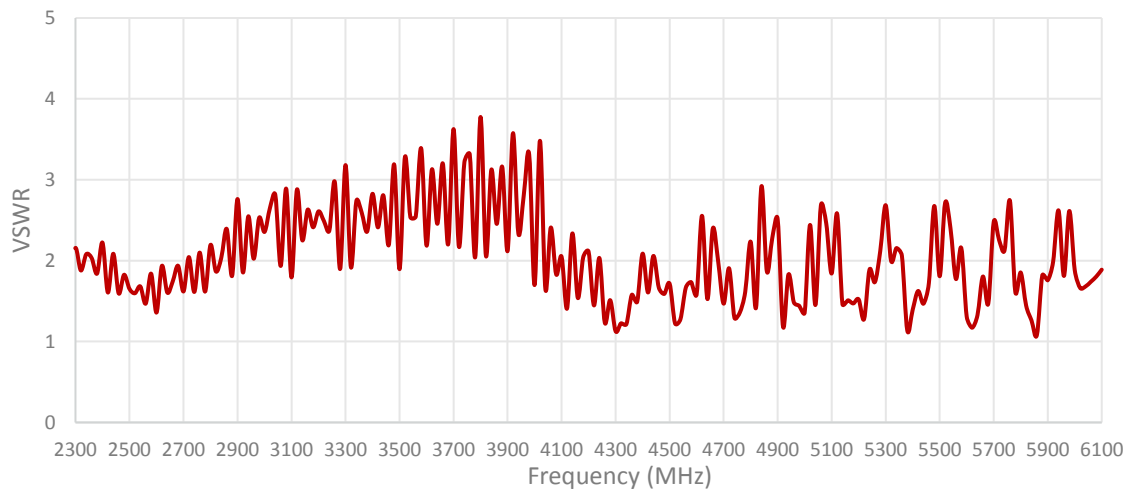
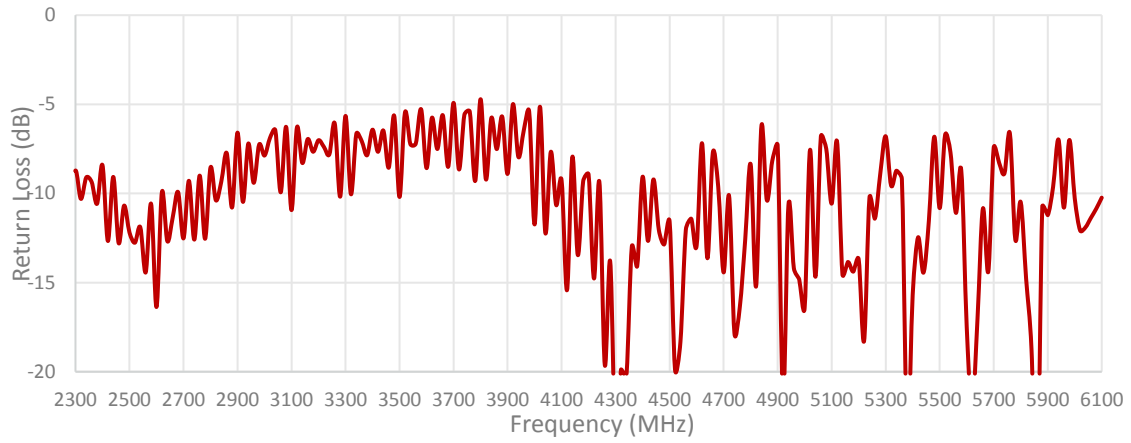
Antenna Measurement Conditions:

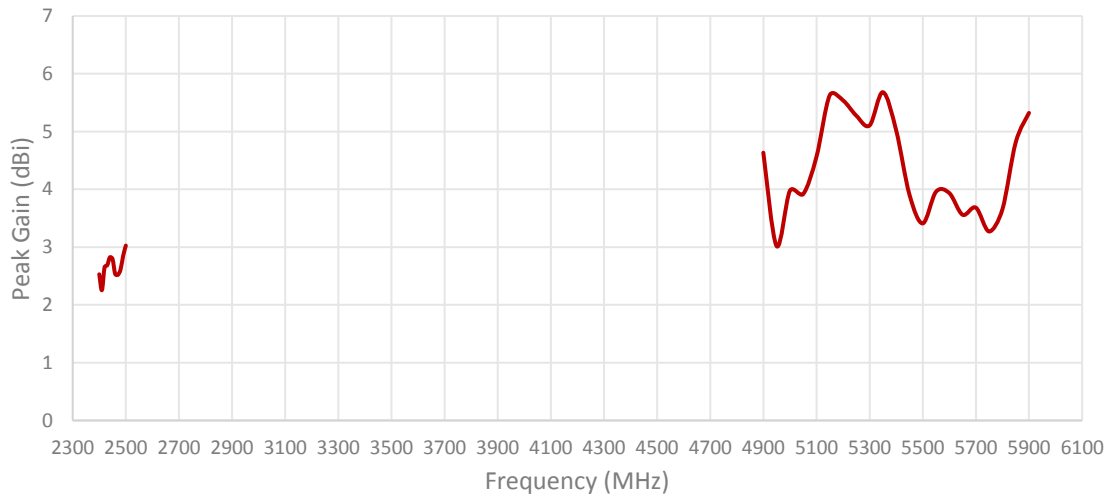
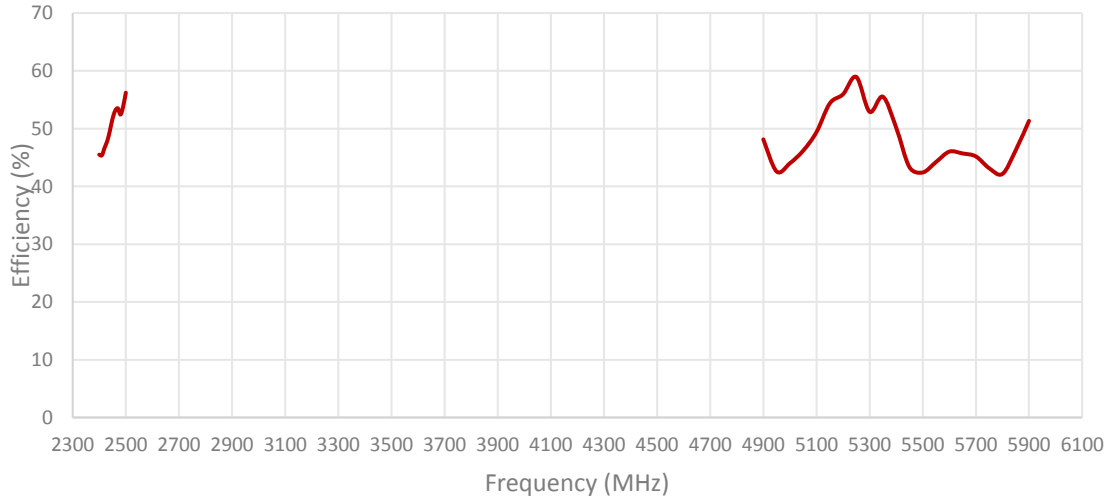
Mounted on Metal Plate of 30 x 30 cm
 200 cm of Cable LMR195
 Measured in Certified CTIA 3D Anechoic Chamber

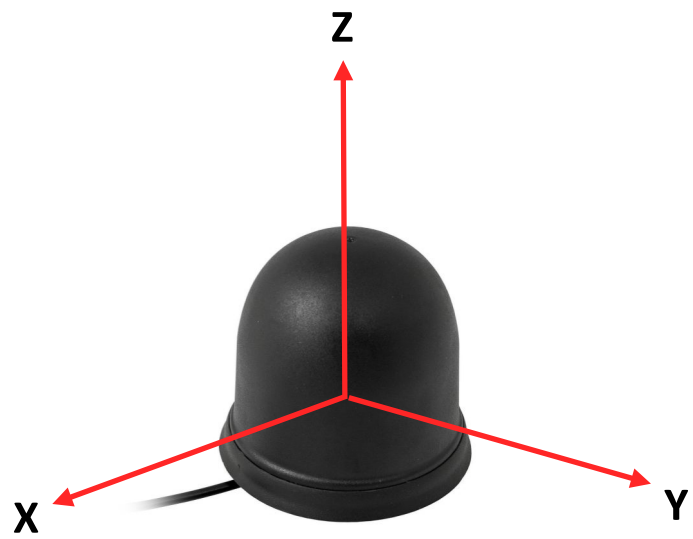
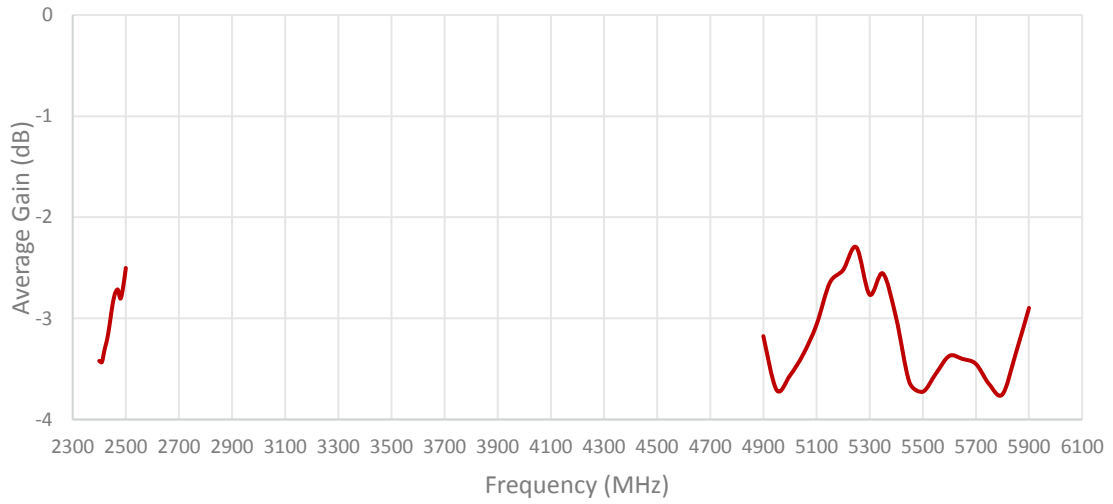
2. Mechanical and environmental specifications

Specifications	2J6A02B
Mounting Type	Screw Mount
Dimensions (mm)	Ø 77.3 × 65.5
Max. Tighten Torque (Nm)	6 Nm
Radome	ASA
Radome color	Black or White
Antenna Base	Zamak
Gasket	TPE
Operating Temperature (C)	-40 to +85
Storage Temperature (C)	-40 to +85
Substance Compliance	RoHS
Certificates	IP67, IK09, IP69K

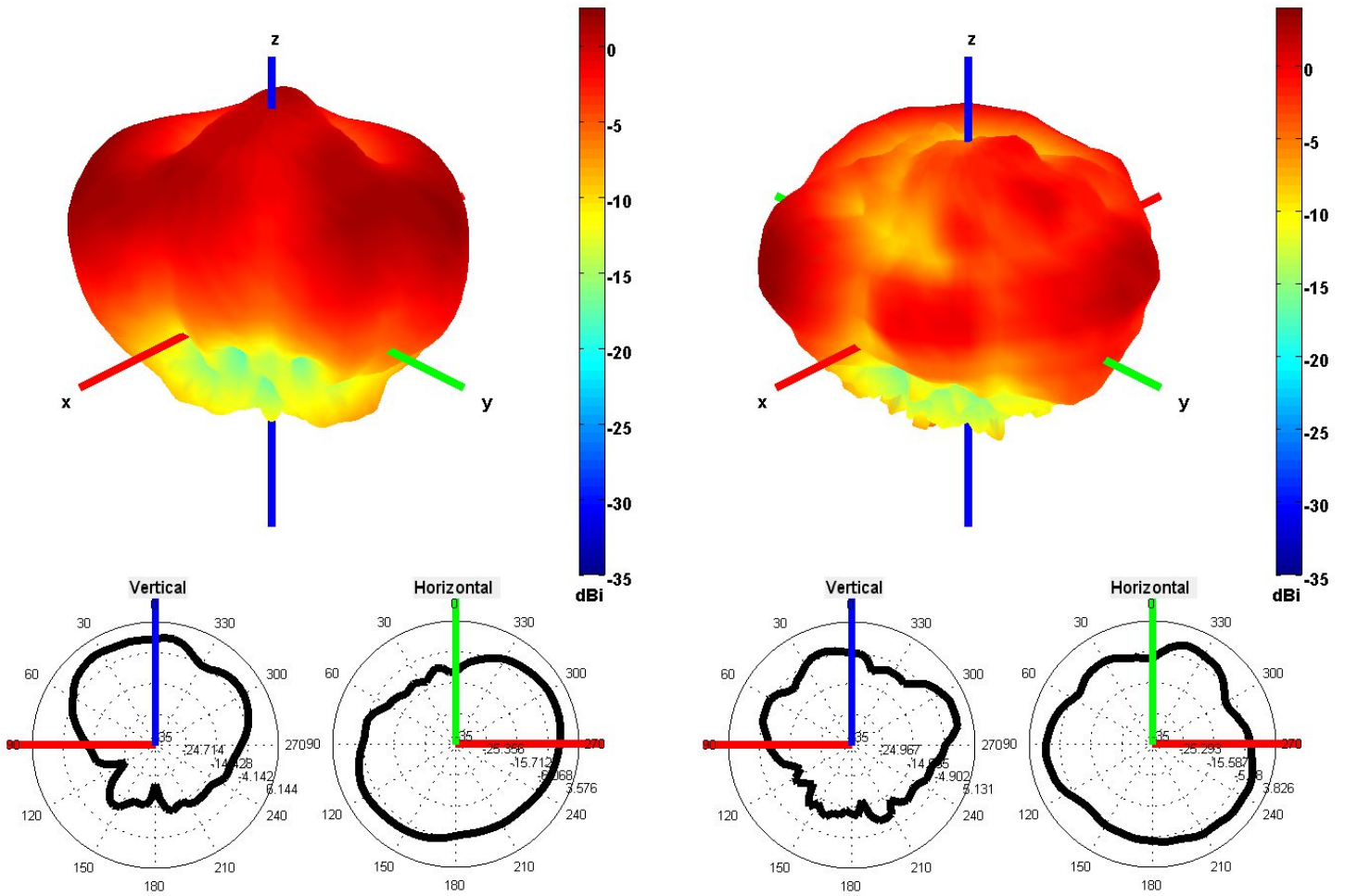
3. Antenna parameters





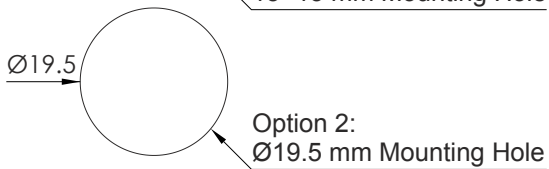
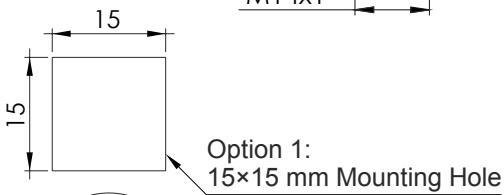
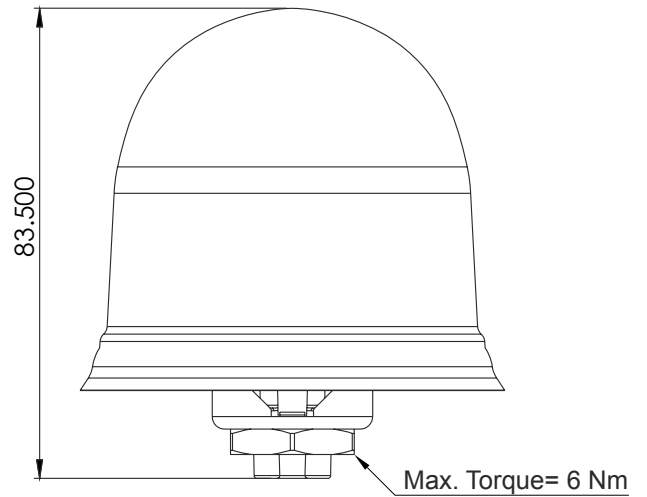
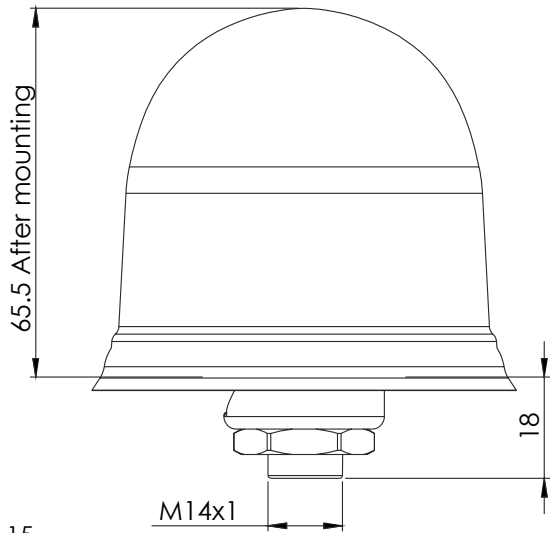
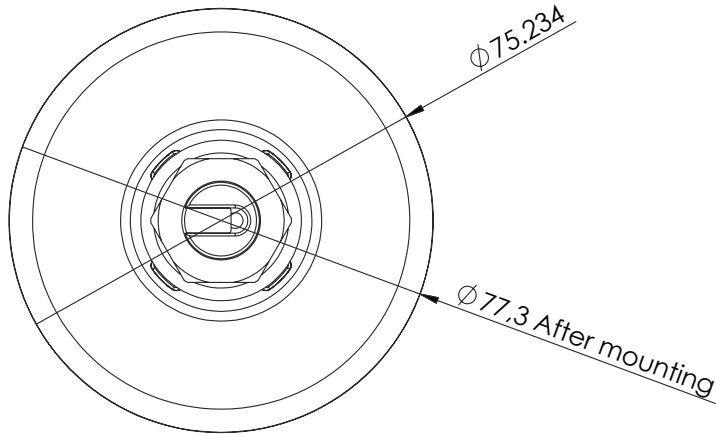


Radiation pattern reference



2450 and 5500 MHz Radiation pattern

4. Antenna drawings



Note: Dimensions are in millimeters
***Dimensions are after mounting**
****Max. Torque= 6 Nm**

5. Antenna Images

