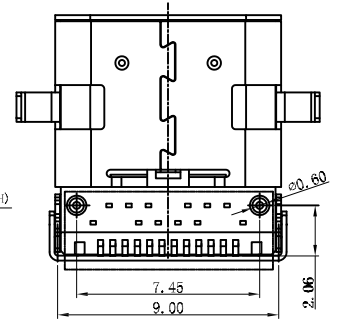
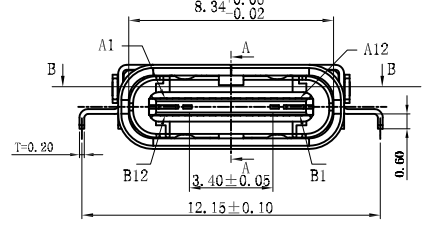
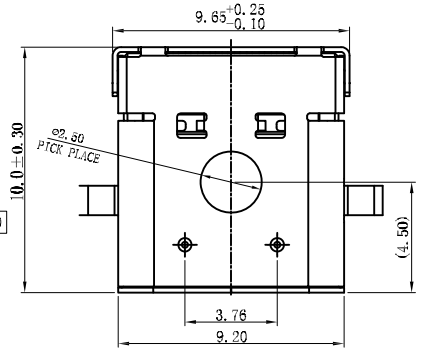
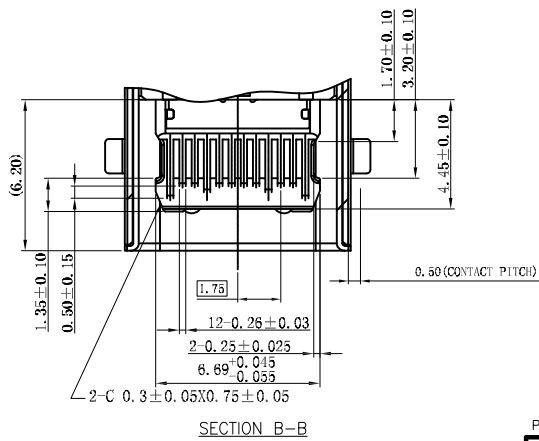
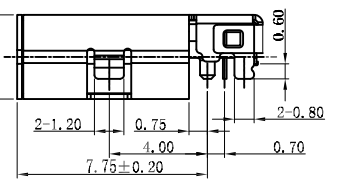
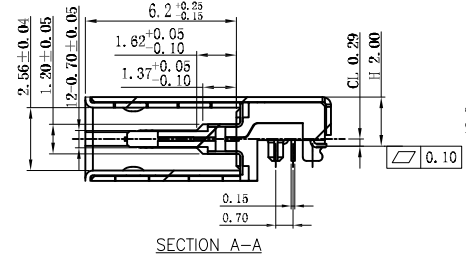
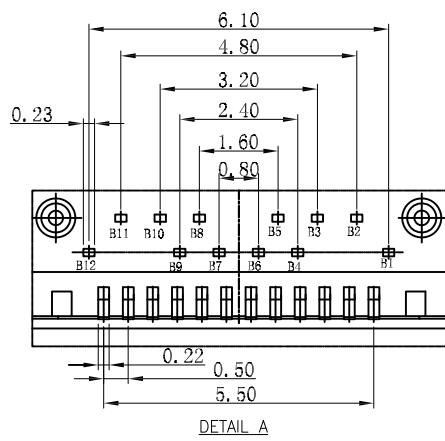


APPROVED: _____
 DATE: _____ TITLE: _____

Rev	AWO #	Description	Date	Appr
-		RELEASED	12/12/14	
A		UPDATED SPEC.	2/13/17	HR/JL
B		ADDED DIM. & UPDATED LAYOUT	2/15/17	HR/OC
C		UPDATE DRAWING	4/17/19	LH/IL



PIN	Signal Name	Description	PIN	Signal Name	Description
A1	GND	Ground return	B12	GND	Ground return
A2	SSTXp1	Positive half of first SuperSpeed TX differential pair	B11	SSRXp1	Positive half of first SuperSpeed RX differential pair
A3	SSTXn1	Negative half of first SuperSpeed TX differential pair	B10	SSRXn1	Negative half of first SuperSpeed RX differential pair
A4	Vbus	Bus Power	B9	Vbus	Bus Power
A5	CC1	Configuration Channel	B8	SBU2	Sideband Use (SBU)
A6	Dp1	Positive half of the USB 2.0 differential pair-Position 1	B7	Dn2	Negative half of the USB 2.0 differential pair-Position 2
A7	Dn1	Negative half of the USB 2.0 differential pair-Position 1	B6	Dp2	Positive half of the USB 2.0 differential pair-Position 2
A8	SBU1	Sideband Use (SBU)	B5	CC2	Configuration Channel
A9	Vbus	Bus Power	B4	Vbus	Bus Power
A10	SSRXn2	Negative half of second SuperSpeed RX differential pair	B3	SSTXn2	Negative half of second SuperSpeed TX differential pair
A11	SSRXp2	Positive half of second SuperSpeed RX differential pair	B2	SSTXp2	Positive half of second SuperSpeed TX differential pair
A12	GND	Ground return	B1	GND	Ground return

SPECIFICATIONS:
 Material:
 Insulator: Hi-Temp Thermoplastic, rated UL 94V-0
 Insulator color: Black
 Contacts: Copper Alloy
 Shell: SUS304, Nickel Plated

Plating:
 Gold flash over Nickel underplate on contact area,
 Tin over Nickel underplate on solder tails.

Electrical:
 Current rating: 3 Amp Min for Vbus
 Voltage rating: 5 VAC Max
 Contact resistance: 40 mohms max
 Insulation resistance: 1,00 Mohms min
 Dielectric withstanding voltage: 100 VAC

Mechanical:
 Insertion: 5~20N
 Extraction: 8~20N
 Durability: 5000 Cycles
 Temperature Rating:
 -55°C to +85°C
 Environmental:
 Lead free, RoHS compliant



PACKAGED ON TAPE & REEL
 UNLESS OTHERWISE SPECIFIED
 ALL DIMENSIONS ARE MILLIMETERS
 TOLERANCES: EXCEPT AS NOTED
 MM ANGLES
 X. ± 0.50 X.* ± 3°
 .X ± 0.30 .X* ± 2°
 .XX ± 0.20 .XX* ± 1°
 .XXX ± 0.10 .XXX* ± 0.5°

APPROVALS		DATE
DRAWN	HR	12/12/14
CHECKED	TW	12/12/14
APPROVED		

ADAM TECH INTERCONNECTS 909 Rahway Avenue,
 Union, NJ 07083
 Phone: 908-687-5000
 Fax: 908-687-5710

TITLE: UNIVERSAL SERIAL BUS, TYPE C, FEMALE,
 SMT TYPE, EDGE HANG, BLACK INSULATOR

SIZE	PART NO.	REV.
X	USB-C31-S-RA-EH2.0-BK-HF-T/R	C
REF: S00097C	SCALE: NTS	SHEET 1 OF 2

6 5 4 3 2 1

APPROVED: _____
 DATE: _____ TITLE: _____

Rev	AWO #	Description	Date	Appr
SEE SHT 1 OF 2 FOR REVISION				

RECOMMENDED PCB LAYOUT

UNLESS OTHERWISE SPECIFIED
 ALL DIMENSIONS ARE MILLIMETERS
 TOLERANCES: EXCEPT AS NOTED

MM	ANGLES
X. ± 0.50	X.' ± 3'
.X ± 0.30	.X' ± 2'
.XX ± 0.20	.XX' ± 1'
.XXX ± 0.10	.XXX' ± 0.5'

ADAM TECH INTERCONNECTS
 909 Rahway Avenue,
 Union, NJ 07083
 Phone: 908-687-5000
 Fax: 908-687-5710

APPROVALS		DATE
DRAWN	HR	12/12/14
CHECKED	TW	12/12/14
APPROVED		

TITLE		
UNIVERSAL SERIAL BUS, TYPE C, FEMALE, SMT TYPE, EDGE HANG, BLACK INSULATOR		
SIZE	PART NO.	REV.
X	USB-C31-S-RA-EH2.0-BK-HF-T/R	C
REF:	S00097C	SCALE: NTS
		SHEET 2 OF 2

6 5 4 3 2 1