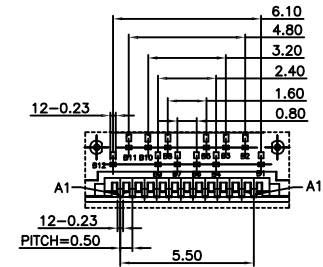
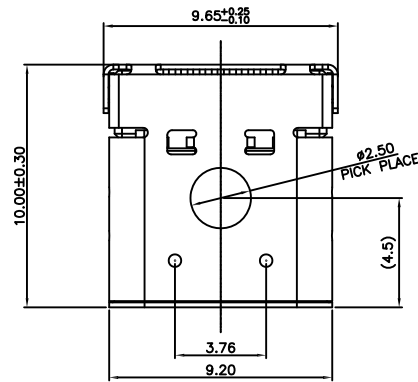
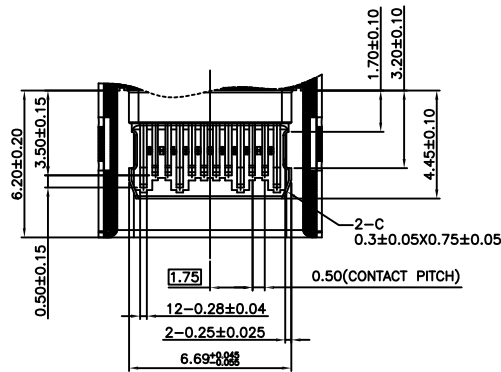
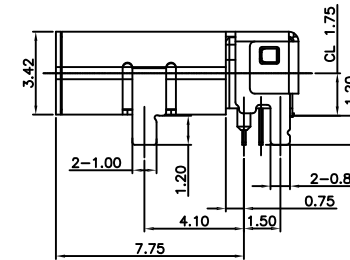
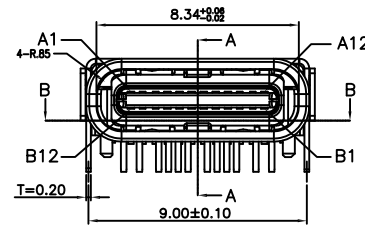


APPROVED: \_\_\_\_\_  
 DATE: \_\_\_\_\_ TITLE: \_\_\_\_\_

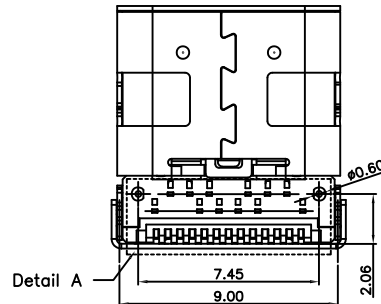
Pin	Signal Name	Mating Sequence	Pin	Signal Name	Mating Sequence
A1	GND	First	B12	GND	First
A2	SSTXp1	Second	B11	SSRXp1	Second
A3	SSTXn1	Second	B10	SSRXn1	Second
A4	Vbus	First	B9	Vbus	First
A5	CC1	Second	B8	SBU2	Second
A6	Dp1	Second	B7	Dn2	Second
A7	Dn1	Second	B6	Dp2	Second
A8	SBU1	Second	B5	CC2	Second
A9	Vbus	First	B4	Vbus	First
A10	SSRXn2	Second	B3	SSTXn2	Second
A11	SSRXp2	Second	B2	SSTXp2	Second
A12	GND	First	B1	GND	First
SHELL	GND		SHELL	GND	



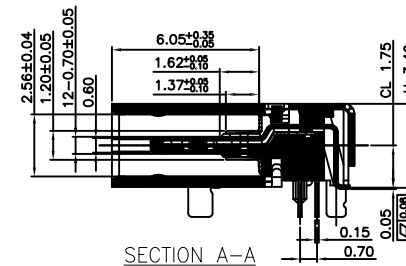
DETAIL A



SECTION B-B



Detail A



SECTION A-A

SPECIFICATIONS:

Material:  
 Insulator: Hi-temp thermoplastic, rated UL 94V-0  
 Insulator color: Black  
 Contacts: Copper Alloy  
 Shell: Stainless Steel, Nickel plated  
 Plating:  
 Gold flash over Nickel underplate on contact area,  
 Tin over Nickel underplate on solder tails.  
 Electrical:  
 Current rating: 5.0 A (Vbus)  $\Delta$   
 1.25 A (Vconn)  
 Contact resistance: 40 mohms max @ 20mV, 100 mA  
 Insulation resistance: 100 Mohms min.  
 Dielectric withstanding: 100 VAC RMS  
 Mechanical:  
 Insertion force: 5~20 N  
 Withdrawal force: 8~20 N (After test)  
 Durability: 10,000 Cycles  
 Temperature Rating:  
 Operating temperature: -40°C to +85°C  
 Environmental:  
 Lead free, RoHS compliant.



PACKAGED ON TAPE & REEL

UNLESS OTHERWISE SPECIFIED ALL DIMENSIONS ARE INCHES [MM]. TOLERANCES: EXCEPT AS NOTED	
INCHES	HOLES
.X ± .10	ØX ± .10
.XX ± .020	ØXX ± .015
.XXX ± .015	ØXXX ± .010

DRAWN	HR	8/21/15
CHECKED	AC	8/21/15
APPROVED		

THIS DRAWING CONTAINS INFORMATION THAT IS PROPRIETARY AND SHOULD NOT BE USED WITHOUT PRIOR WRITTEN PERMISSION FROM ADAM TECH



909 Rahway Avenue,  
 Union, NJ 07083  
 Phone: 908-687-5000  
 Fax: 908-687-5710

TITLE: UNIVERSAL SERIAL BUS, TYPE C, FEMALE, RIGHT ANGLE, BLACK INSULATOR, TAPE & REEL

SIZE	PART NO.	REV.
X	USB-C31-S-RA-CS1-BK-T/R	C
REF: S00097C	SCALE: NTS	SHEET 1 OF 2

6

5

4

3

2

1

APPROVED: \_\_\_\_\_

DATE: \_\_\_\_\_ TITLE: \_\_\_\_\_

Rev | AWO # | Description | Date | Appr

SEE SHT 1 OF 2 FOR REVISION

RECOMMENDED PCB LAYOUT

UNLESS OTHERWISE SPECIFIED ALL DIMENSIONS ARE INCHES [MM]. TOLERANCES: EXCEPT AS NOTED

INCHES		HOLES	
.X	$\pm .10$	$\phi X$	$\pm .10$
.XX	$\pm .020$	$\phi XX$	$\pm .015$
.XXX	$\pm .015$	$\phi XXX$	$\pm .010$

**ADAM**  
**TECH**

 909 Rahway Avenue,  
 Union, NJ 07083  
 Phone: 908-687-5000  
 Fax: 908-687-5710

DRAWN | HR | 8/21/15

CHECKED | AC | 8/21/15

APPROVED

THIS DRAWING CONTAINS INFORMATION THAT IS PROPRIETARY AND SHOULD NOT BE USED WITHOUT PRIOR WRITTEN PERMISSION FROM ADAM TECH

 TITLE UNIVERSAL SERIAL BUS, TYPE C, FEMALE,  
 RIGHT ANGLE, BLACK INSULATOR, TAPE & REEL

SIZE X | PART NO. USB-C31-S-RA-CS1-BK-T/R | REV. C

REF: S00097C | SCALE: NTS | SHEET 2 OF 2

6

5

4

3

2

1