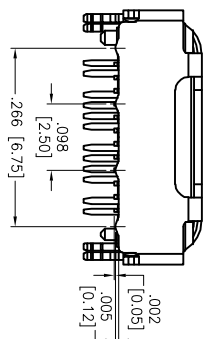
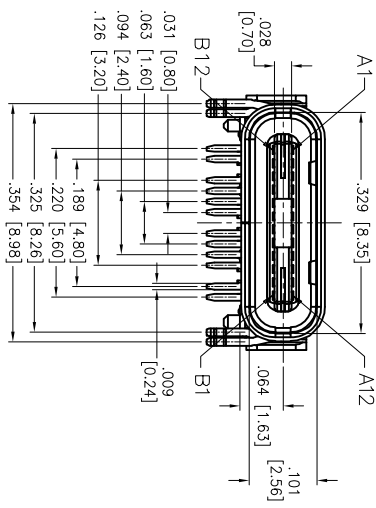
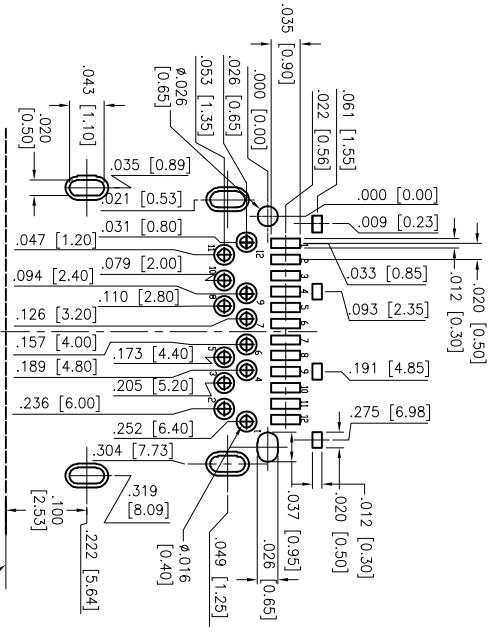
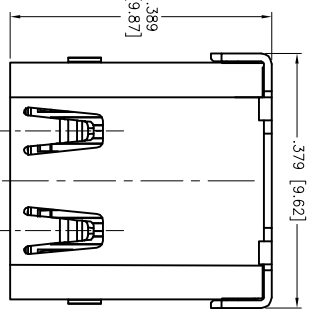
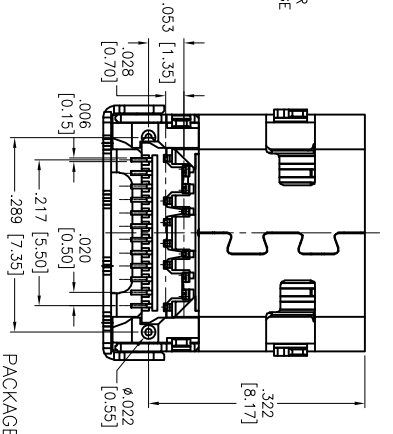


APPROVED: _____
 DATE: _____ TITLE: _____

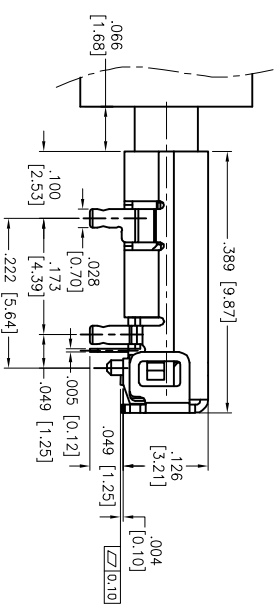
Rev	AWO #	Description	Date	Appr
-		RELEASED	12/12/14	
A		UPDATED SHAPE	8/21/15	HRMW
B		UPDATED SPEC.	6/16/16	HRMW
C		CORRECTED PIN # DESIGNATORS	3/15/17	SS



	A	B
1	GND	12 GND
2	TX1+	11 RX1+
3	TX1-	10 RX1-
4	VBUS	9 VBUS
5	CC1	8 SBU2
6	D+	7 D-
7	D-	6 D+
8	SBU1	5 CC2
9	VBUS	4 VBUS
10	RX2-	3 TX2-
11	RX2+	2 TX2+
12	GND	1 GND



PACKAGED ON TAPE & REEL



ASSEMBLY VIEW

RECOMMENDED PCB LAYOUT

CONNECTOR FRONT EDGE

SPECIFICATIONS:

- Material:** Insulator: Hi-temp thermoplastic, rated UL 94V-0
- Insulator color: Black
- Contacts: Phosphor Bronze
- Shell: Copper Alloy
- Plating: Gold flash over Nickel underplate on contact area, Tin over Copper underplate on solder tails.
- Electrical: Operating voltage: 5 V
- Voltage rating: 30 VAC RMS
- Contact resistance: 40 mohms max
- Insulation resistance: 100 Mohms min
- Dielectric withstanding: 100 VAC for 1 minute
- Mechanical:** Insertion force: 5N~20N
- Withdrawal force: 8N~20N
- After 10,000 cycles Mating: 2N Min
- Temperature Rating: Operating temperature: -25°C to +85°C
- Environmental:** Lead free, RoHS compliant.

ADAM TECH

909 Railway Avenue, Union, NJ 07083
 Phone: 908-687-5000 Fax: 908-687-5710

TITLE: UNIVERSAL SERIAL BUS, TYPE C, FEMALE,
 RIGHT ANGLE, BLACK INSULATOR, TAPE & REEL

UNLESS OTHERWISE SPECIFIED ALL DIMENSIONS ARE INCHES [MM]		TOLERANCES: EXCEPT AS NOTED	
.X	± .10	ØXX	± .10
.XX	± .020	ØXXX	± .015
.XXX	± .015	ØXXXX	± .010
APPROVALS		DATE	
DRAWN	AY	12/12/14	
CHECKED	TW	12/12/14	
APPROVED			
SIZE	PART NO.	SCALE	SHEET 1 OF 1
X	USB-C31-S-RA-BK-T/R	NTS	C
REF:	S00097C		

