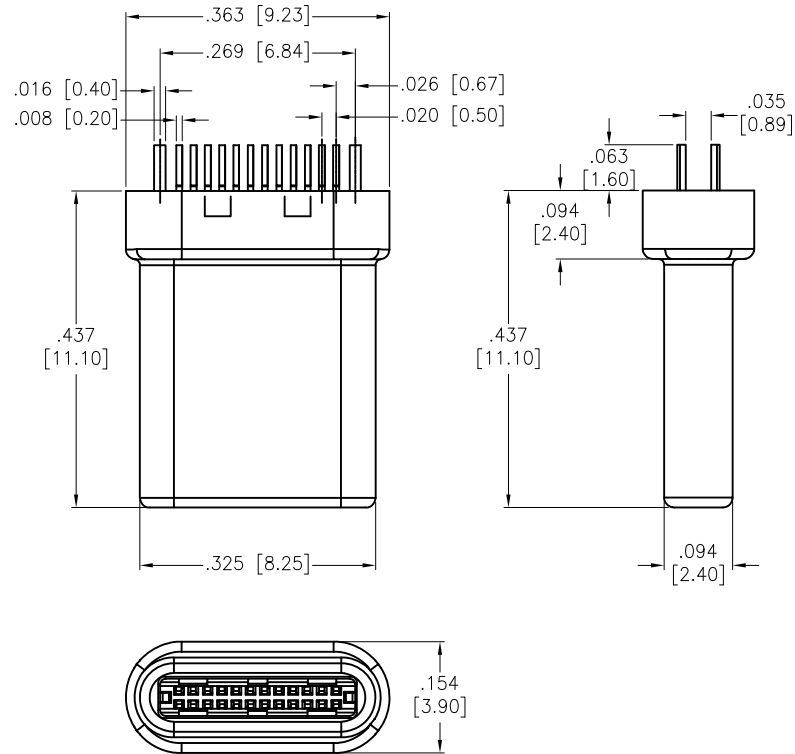


APPROVED: _____
 DATE: _____ TITLE: _____

Rev	AWO #	Description	Date	Appr
-		RELEASED	10/1/15	
A		REVISED DIM.	10/19/15	HR/AY1
B		REVISED DIM.	5/26/16	AY
C		REVISED DIM.	6/1/16	HR/MW



SPECIFICATIONS:
 Material:
 Insulator: Hi-temp thermoplastic, rated UL 94V-0
 Insulator color: Black
 Contacts: Phosphor Bronze
 Shell: Stainless Steel, Nickel plated
 Ground Latch: Stainless Steel, Nickel plated
 Spring: Stainless Steel
 Plating:
 Gold flash over Nickel underplate on contact area,
 Tin over Nickel underplate on solder tails
 Electrical:
 Current rating: 0.5A
 Contact resistance: 30 mohms max
 Insulation resistance: 100 Mohms min @ 250 VDC.
 Dielectric withstanding: 250 VAC for 1 minute
 Mechanical:
 Insertion force: 3.57kgf max.
 Withdrawal force: 1.02kgf min.
 Durability: 10,000 Cycles
 Temperature Rating:
 Operating temperature: -30°C to +80°C
 Environmental:
 Lead free, RoHS compliant.



UNLESS OTHERWISE SPECIFIED
 ALL DIMENSIONS ARE INCHES [MM]
 TOLERANCES: EXCEPT AS NOTED

INCHES		HOLES	
.X	± .10	∅X	± .10
.XX	± .020	∅XX	± .015
.XXX	± .015	∅XXX	± .010

APPROVALS		DATE
DRAWN	HR	10/1/15
CHECKED	AC	10/1/15
APPROVED		

ADAM TECH

909 Rahway Avenue, Union, NJ 07083
 Phone: 908-687-5000 Fax: 908-687-5710

TITLE UNIVERSAL SERIAL BUS, TYPE C, MALE PLUG,
 STRADDLE MOUNT, BLACK INSULATOR

SIZE	PART NO.	REV.
X	USB-C31-PLUG-C-BK-PCB-X	C

REF: S00108C SCALE: NTS SHEET 1 OF 2

6

5

4

3

2

1

6

5

4

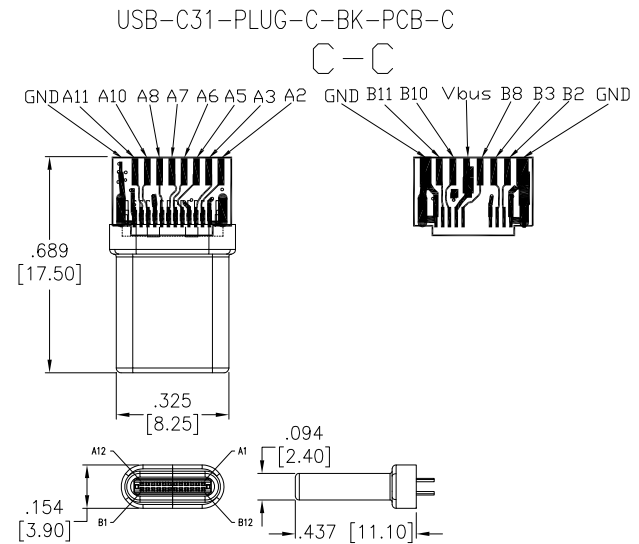
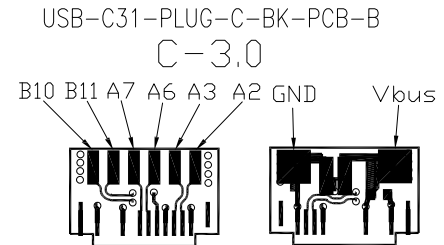
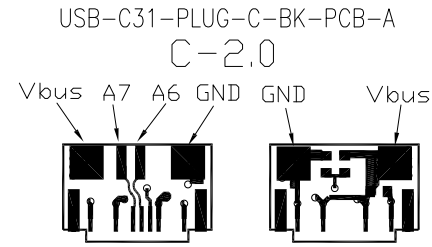
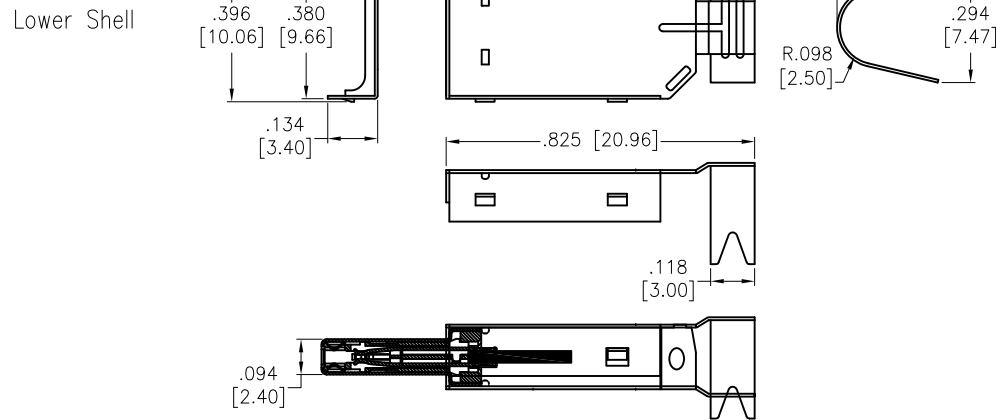
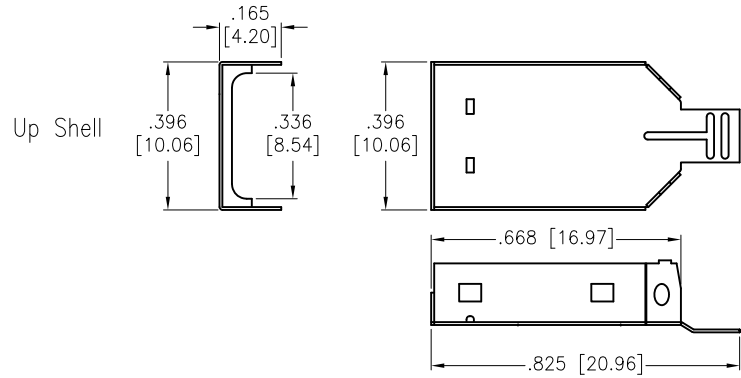
3

2

1

APPROVED: _____
 DATE: _____ TITLE: _____

Rev	AWO #	Description	Date	Appr
SEE SHT 1 OF 2 FOR REVISION				



SPECIFICATIONS:

Material:
 Upper Shell: Steel, Nickel plated
 Lower Shell: Steel, Nickel plated
Electrical:
 Current rating: 0.5 A
 Contact resistance: 30 mohms max
 Insulation resistance: 100 Mohms min @ 250 VDC
 Dielectric withstanding: 250 VAC for 1 minute
Mechanical:
 Insertion force: 3.57kgf max.
 Withdrawal force: 1.02kgf min.
Environmental:
 Lead free, RoHS compliant.



UNLESS OTHERWISE SPECIFIED ALL DIMENSIONS ARE INCHES [MM] TOLERANCES: EXCEPT AS NOTED			
INCHES		HOLES	
.X	± .10	Ø.X	± .10
.XX	± .020	Ø.XX	± .015
.XXX	± .015	Ø.XXX	± .010
APPROVALS		DATE	
DRAWN	HR	10/1/15	
CHECKED	AC	10/1/15	
APPROVED			

ADAM TECH

909 Rahway Avenue, Union, NJ 07083
 Phone: 908-687-5000 Fax: 908-687-5710

TITLE UNIVERSAL SERIAL BUS, TYPE C, MALE PLUG, STRADDLE MOUNT, BLACK INSULATOR		
SIZE X	PART NO. USB-C31-PLUG-C-BK-PCB-X	REV. C
REF: S00108C	SCALE: NTS	SHEET 2 OF 2