



# 1.25mm Contact Spacing, Board To Wire Header Connectors

## EBW-PK26 SERIES (Pin Header)

### FEATURES

- 1.25mm contact spacing.
- No. of contacts: 2~15 pin.
- Polarization key prevent mismatching.
- Available in embossed type for automatic mounting.
- Applicable Wire: AWG #28.#30.#32

### SPECIFICATIONS

#### 1.ELECTRICAL

- Voltage rating: 125V AC,DC
- Current rating: 0.8~1.0A AC,DC
- Contact resistance: 20mΩ max.
- Contact resistance on crimped portion: 5mΩ max.
- Insulation resistance: 100MΩ min.
- Withstanding voltage: 500V AC/min.
- Ambient Temperature Range: -25°C~+85°C

#### 2.MECHANICAL

- Durability: Mated up to 50 cycles repeatedly by the rate of 10 cycles per minute, Contact resistance: 40mΩ max.
- Connector Insertion Force: (n\*0.5kgf) + 1kgf max. (n: Pin.)
- Connector Withdrawal Force: (kgf/min.)

|       |      |      |      |      |      |      |      |
|-------|------|------|------|------|------|------|------|
| Pos.  | 2    | 3    | 4    | 5    | 6    | 7    | 8    |
| Force | 0.28 | 0.30 | 0.33 | 0.38 | 0.43 | 0.48 | 0.53 |
| Pos.  | 9    | 10   | 11   | 12   | 13   | 14   | 15   |
| Force | 0.56 | 0.59 | 0.62 | 0.65 | 0.68 | 0.71 | 0.74 |

### MATERIALS

#### 1.MATERIAL

- Contacts: Phosphor Bronze, Brass
- Hold Down: Phosphor Bronze, Brass
- Insulator Housing: High Temp. Thermoplastic.

#### 2.PLATING

- Contact:**
- Nickel In All Area
  - Matte-Tin over Nickel. (RoHS Compliant)
- Hold Down:**
- Nickel In All Area
  - Matte-Tin over Nickel. (RoHS Compliant)

### PACKING

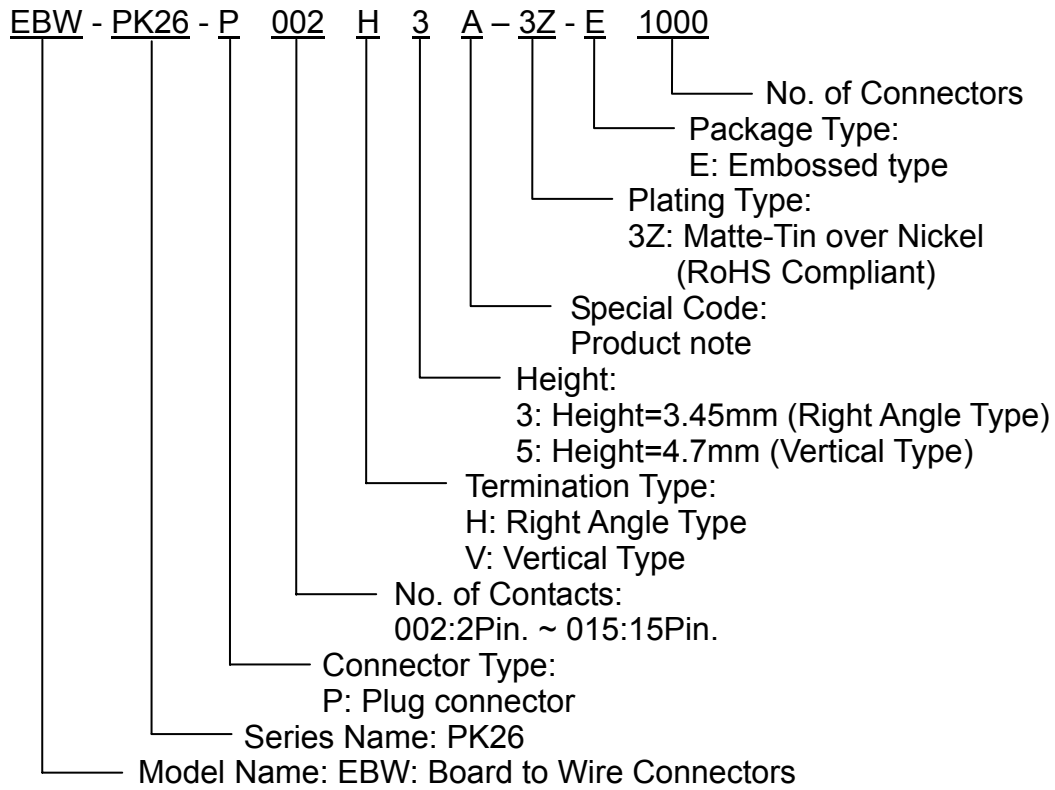
#### 1.Packing method

1-1.All connector are packed in reel method.

#### 2.Information on label (stuck to each ploy bag, reel and box)

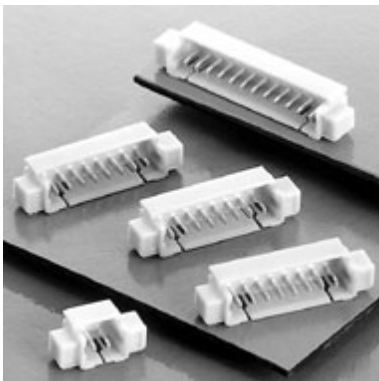
- (1)Part NO.                      (2)Section.                      (3)Lot NO.                      (4)Quantity.  
 (5)QC stamp.                      (6)Reprocess NO.                      (7)ECE mark.

## ■ PART NUMBERING SYSTEM



## ■ DIMENSIONS UNIT:mm

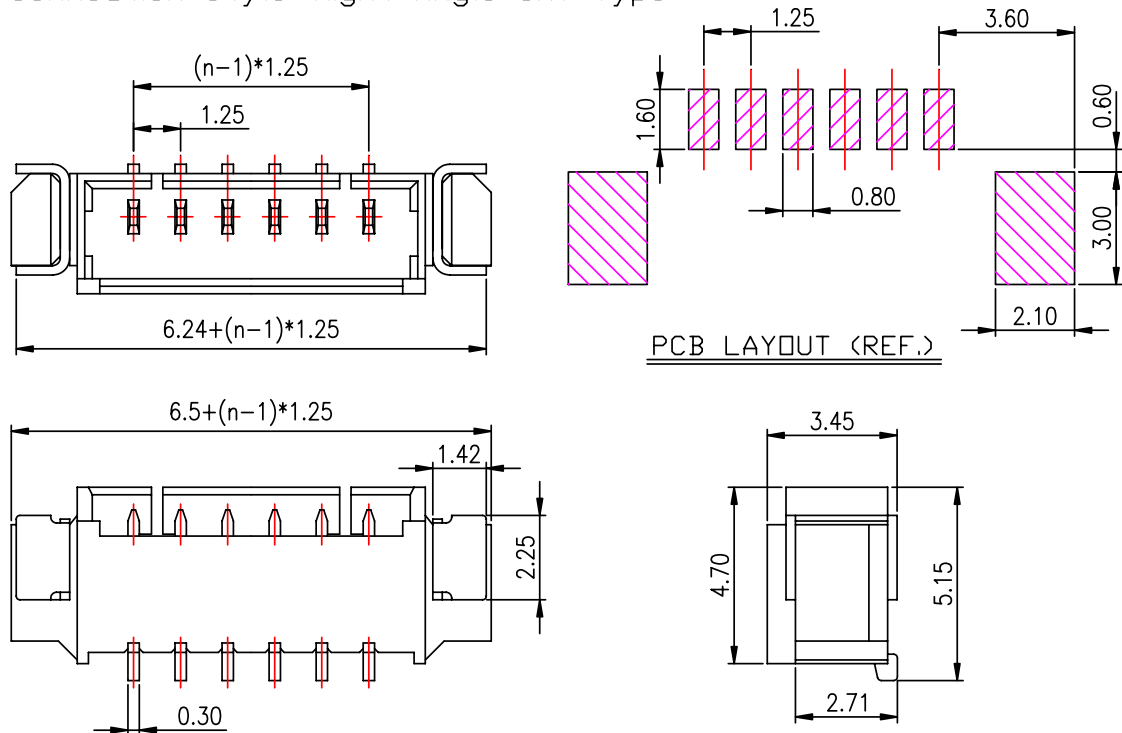
**EBW-PK26-P\*\*\*H3**



**EBW-PK26-P\*\*\*V5**



EBW-PK26-P\*\*\*H3A UNIT:mm  
 Connection Style: Right Angle SMT Type



EBW-PK26-P\*\*\*V5A UNIT:mm  
 Connection Style: Vertical SMT Type

