

**SENCITY® Omni-S Thimble**

1399.17.0224

**Properties**

- Omnidirectional compact broadband antenna for Wi-Fi and Cellular bands between 1710 MHz till 7125 MHz
- Gain of 2 dBi with Vertical polarisation
- For both indoor and outdoor mounting with IP rating IP66, IP68 and IP69K
- Direct mount on N type interface of wireless access points
- Rugged design with N male interface



Electrical bands				
	Band 1	Band 2	Band 3	Band 4
Frequency (MHz)	1710 MHz ... 2000 MHz	2000 MHz ... 2700 MHz	2700 MHz ... 4200 MHz	4900 MHz ... 5150 MHz
Impedance	50 Ω	50 Ω	50 Ω	50 Ω
VSWR	2	2	2	2
Gain (dBi)	1.5 dBi	2 dBi	1.5 dBi	2.5 dBi
Halfp Beamwidth horizontal	360 °	360 °	360 °	360 °
Ambient Temperature	25 °C	25 °C	25 °C	25 °C
Composite Power max	200 W	160 W	120 W	120 W

	Band 5	Band 6
Frequency (MHz)	5150 MHz ... 5925 MHz	5925 MHz ... 7125 MHz
Impedance	50 Ω	50 Ω
VSWR	2	2
Gain (dBi)	2.5 dBi	3 dBi
Halfp Beamwidth horizontal	360 °	360 °
Ambient Temperature	25 °C	25 °C
Composite Power max	120 W	120 W

**Ports**

Connector	N, plug (male)
Polarization	vertical

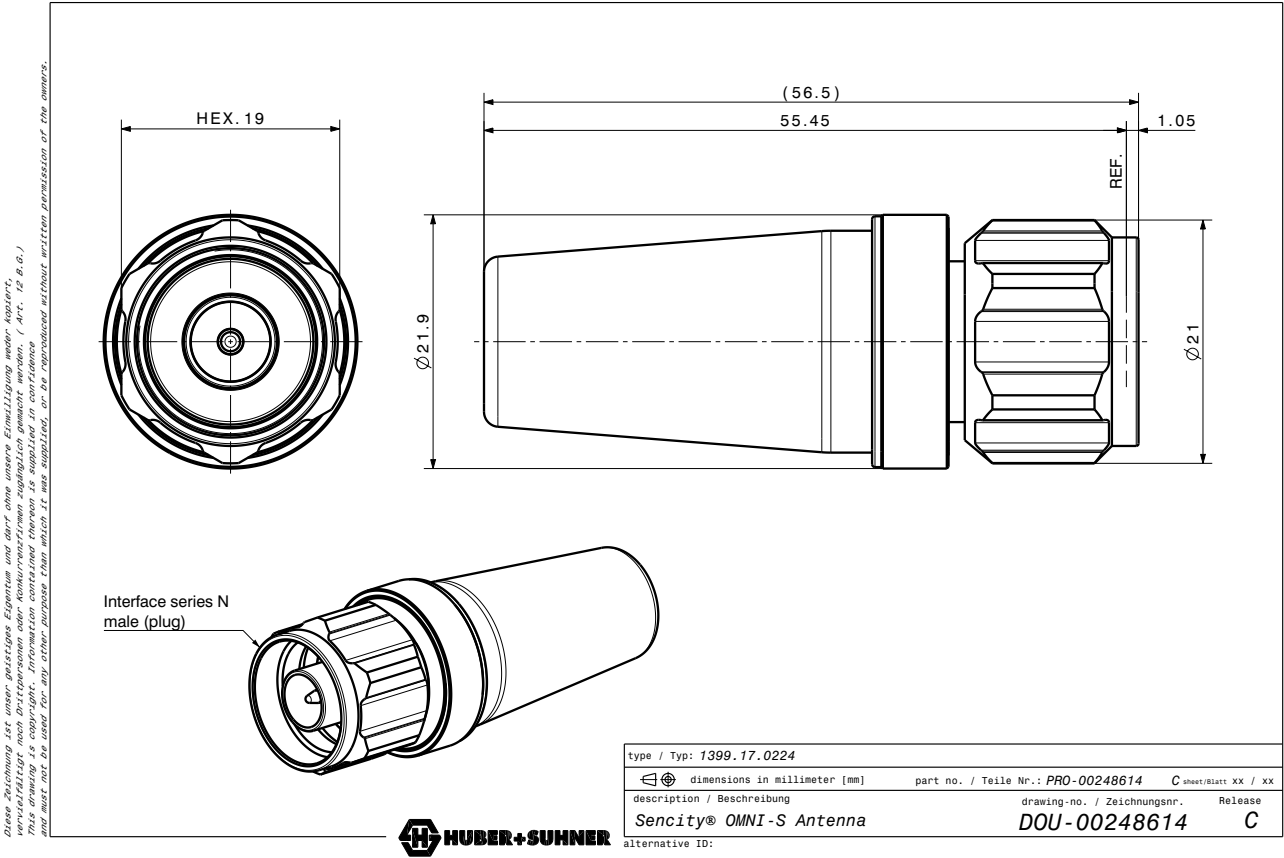
**SENCITY® Omni-S Thimble**

1399.17.0224

<b>Ports</b>	
DC grounded	No
<b>Connections</b>	
Port number	
<b>Mechanical data</b>	
Weight	0.05 kg
Dimensions	55 mm x 22 mm (Height x Diameter)
Remarks	Coupling nut torque: nominal 1Nm maximum 3Nm
<b>Material data</b>	
Radome material	ASA (acrylic ester-styrene-acrylonitrile)
Radome colour	RAL 7043 (dark grey)
<b>Environmental data</b>	
Operation temperature	-40 °C ... 85 °C
Storage temperature	-40 °C ... 85 °C
Transport temperature	-40 °C ... 85 °C
Environment (application)	Outdoor
Ingress protection (IP Rating)	IP66, IP68
Flammability rating	UL 94-HB
Standards	Industrie EN 60068
	Railway EN 50155
	Railway EN 45545
<b>Environmental remarks</b>	
"Ingress protection IP66, IP68 & IP69K (EN 60529)	
Flammability rating EN 45545; DIN 5510-2	
Temperature range (damp heat) EN 60068-2-30, Test Db, Variant 1 (40 °C ; 6 cycles)	
Temperature shock EN 60068-2-14, Test N, -45 °C/85 °C, 1h , 5 cycles	
Vibration and shock EN 61373, category 1, class b (for railway carriage)"	

**SENCITY® Omni-S Thimble**  
1399.17.0224

**Outline drawing**



HUBER+SUHNER is certified by ISO 9001, ISO 14001, ISO 45001, IATF 16949, AS/EN 9100 and ISO/TS 22163-IRIS. Waiver: Facts and figures herein are for information only and do not represent any warranty of any kind. DOCUMENT PIM-P3255 / Date of publication: 31.10.2023 / uncontrolled copy