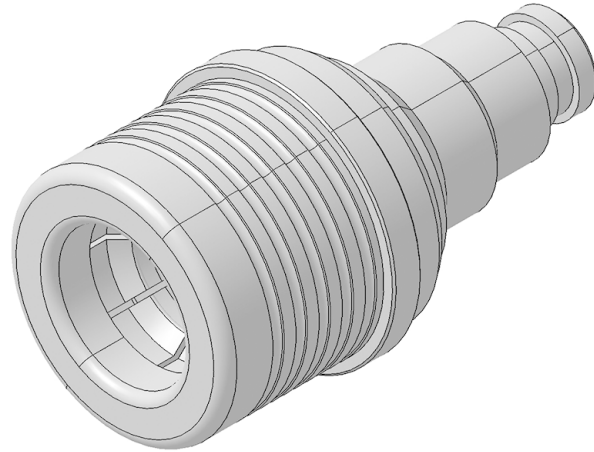


**COAXIAL TERMINATION, 50 Ohm, QMA, plug (male)**

65\_QMA-50-0-2/133\_N

**Properties**

- Various bandwidth
- Impedance matched
- Standard or precision types
- Low and medium power



Product configuration		
Interface	Gender	Standard
QMA	plug (male)	QMA QLF compliant

Electrical data	
Impedance	50Ω
Operating frequency	0 GHz ... 6 GHz
VSWR	1.15
Return loss	23 dB

Electrical Data (frequency related)		
Frequency range	VSWR max	Return loss
0 GHz to 3 GHz	1.1	
3 GHz to 6 GHz	1.15	

Electrical Data (power)	
Average power	1 W at 85 °C ambient temperature. Linearly derated to W at 115 °C ambient temperature.

Interface and material data		
Interface	Material	Plating
Interface	QMA / plug (male)	
<b>Piece parts</b>	<b>Material</b>	<b>Plating</b>
Centre contact	Brass	SUCOPRO Plating
Outer conductor	Bronze	SUCOPLATE (R) Plating
Body	Brass	SUCOPLATE (R) Plating
Insulator	PTFE (Polytetrafluoroethylene)	
Coupling nut	Brass	SUCOPLATE (R) Plating

**COAXIAL TERMINATION, 50 Ohm, QMA, plug (male)**

65\_QMA-50-0-2/133\_N

**Interface and material data**

Piece parts	Material	Plating
-------------	----------	---------

**Mechanical data**

Weight	0.0047 kg
--------	-----------

**Environmental data**

Operation temperature	-40 °C ... 115°C
Ingress protection (IP Rating)	IP20

**Ordering Information Table**

Item number	Item description
84097776	65_QMA-50-0-2/133_NH

HUBER+SUHNER is certified by ISO 9001, ISO 14001, ISO 45001, IATF 16949, AS/EN 9100 and ISO/TS 22163-IRIS. Waiver: Facts and figures herein are for information only and do not represent any warranty of any kind.

DOCUMENT PIM-P1758 / Date of publication: 09.11.2023 / uncontrolled copy