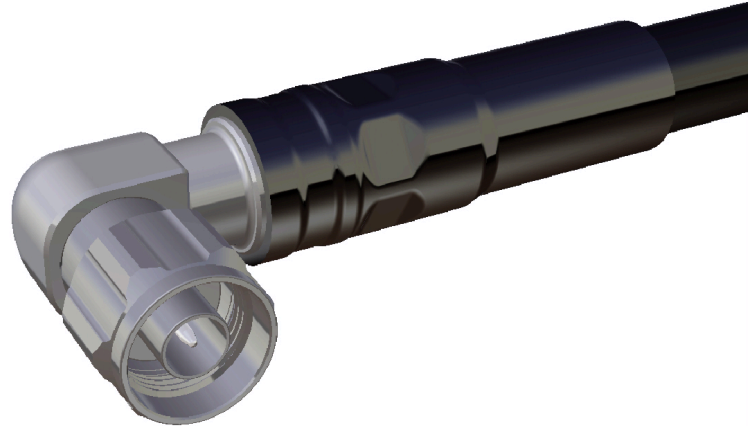


COAXIAL CONNECTOR, N, 50 Ohm, Right angle cable plug (male)

16_N-50-12-12/033_-

Properties

- Screwed coupling mechanism for sturdy and reliable connection
- IP rating (interface, mated) IP67
- Interface dimensions according IEC/MIL



| Product configuration | | |
|-----------------------|--------|---|
| Interface type | Gender | Standard |
| N | plug | IEC 61169-4_CECC 22190_DIN 47223_VG 95250 |

| Interface and material data | | |
|-----------------------------|-----------------------|-----------------------|
| Piece parts | Material | Plating |
| Centre contact | Brass | Silver Plating |
| Outer conductor | Brass | SUCOPLATE (R) Plating |
| Body | Brass | SUCOPLATE (R) Plating |
| Insulator | PFA / PTFE | |
| Coupling nut | Brass | SUCOPLATE (R) Plating |
| Gasket | VMQ (Silicone rubber) | |
| Crimp ferrule | Brass | SUCOPLATE (R) Plating |

| Electrical data | |
|---------------------|-------------|
| Impedance | 50 Ω |
| Interface frequency | 11 GHz |

| Electrical Data (frequency related) | | |
|-------------------------------------|-------------|-------|
| Frequency range | Return loss | VSWR |
| 0.1 GHz ... 2 GHz | 34 dB | 1.041 |
| 2 GHz ... 4 GHz | 31.8 dB | 1.053 |
| 4 GHz ... 6 GHz | 31 dB | 1.058 |

| Mechanical data | |
|----------------------------|-------------|
| Weight | 0.082407 kg |
| Mating cycles | 500 |
| Cable entry centre contact | plugged |

COAXIAL CONNECTOR, N, 50 Ohm, Right angle cable plug (male)

16_N-50-12-12/033_-

| Mechanical data | |
|-----------------------------------|----------------------|
| Cable entry outer contact | crimped |
| Environmental data | |
| Operation temperature | -40 °C ... 85°C |
| Ingress protection (IP Rating) | Mated / IP67 |
| Ordering Information Table | |
| Item number | Item description |
| 85018526 | 16_N-50-12-12/033_-E |
| Suitable cables | |
| Cable group | X29 - 12 mm / 50 Ohm |
| Suitable cables | SPUMA_600 |
| Additional Information | |
| Only as assembly | No |

HUBER+SUHNER is certified by ISO 9001, ISO 14001, ISO 45001, IATF 16949, AS/EN 9100 and ISO/TS 22163-IRIS. Waiver: Facts and figures herein are for information only and do not represent any warranty of any kind.
DOCUMENT PIM-P3104 / Date of publication: 25.11.2023 / uncontrolled copy