

Print page



·DC· SD175RAP (MS)



Dia.172x51mm / 6.7x2inch
575~187 CFM

Plastic Impeller

Model No	Rated Volt VDC	Voltage Range VDC	Input Power Watt	Rated Current Amp	Ref. Speed RPM	Max.Airflow CFM	m3/min	Max.Static Pressure Inch/H2O	mm	Noise Level db(A)	PQ Curves	UL
SD175RAP-12M** (MS)	12	8~13.8	30	2.5	3600	272	7.7	0.88	22.35	58	10	<input checked="" type="checkbox"/>
SD175RAP-12L** (MS)	12	8~13.8	15.6	1.3	3200	242	6.9	0.7	17.78	55	11	<input checked="" type="checkbox"/>
SD175RAP-12LL** (MS)	12	8~13.8	12	1.0	2900	220	6.2	0.58	14.73	53	12	<input checked="" type="checkbox"/>
SD175RAP-12LLL** (MS)	12	8~13.8	7.8	0.65	2500	188	5.3	0.45	11.43	50	13	<input checked="" type="checkbox"/>
SD175RAP-12SL** (MS)	12	8~13.8	6.24	0.52	2000	152	4.3	0.28	7.11	46	14	<input checked="" type="checkbox"/>
SD175RAP-24EHH** (MS)	24	14~26.4	110.4	4.6	7000	520	14.7	2.3	58.42	78	3	<input checked="" type="checkbox"/>
SD175RAP-24EH** (MS)	24	14~26.4	96	4.0	6500	475	13.5	2.14	54.36	73	4	<input checked="" type="checkbox"/>
SD175RAP-24SHH** (MS)	24	14~26.4	86.4	3.6	6000	440	12.5	1.82	46.23	72	5	<input checked="" type="checkbox"/>
SD175RAP-24SH** (MS)	24	14~26.4	76.8	3.2	5500	400	11.3	1.55	39.37	70	6	<input checked="" type="checkbox"/>
SD175RAP-24HHH** (MS)	24	14~26.4	69.6	2.9	5000	365	10.3	1.28	32.51	67	7	<input checked="" type="checkbox"/>
SD175RAP-24HH** (MS)	24	14~26.4	45.6	1.9	4500	335	9.5	1.12	28.45	65	8	<input checked="" type="checkbox"/>
SD175RAP-24H** (MS)	24	14~26.4	31.2	1.3	4200	310	8.8	0.98	24.89	63	9	<input checked="" type="checkbox"/>
SD175RAP-24M** (MS)	24	14~26.4	20.16	0.84	3600	272	7.7	0.88	22.35	58	10	<input checked="" type="checkbox"/>
SD175RAP-24L** (MS)	24	14~26.4	15.6	0.65	3200	242	6.9	0.7	17.78	55	11	<input checked="" type="checkbox"/>
SD175RAP-24LL** (MS)	24	14~26.4	13.92	0.58	2900	220	6.2	0.58	14.73	53	12	<input checked="" type="checkbox"/>
SD175RAP-24LLL** (MS)	24	14~26.4	12	0.5	2500	188	5.3	0.45	11.43	50	13	<input checked="" type="checkbox"/>
SD175RAP-24SL** (MS)	24	14~26.4	10.8	0.45	2000	152	4.3	0.28	7.11	46	14	<input checked="" type="checkbox"/>
SD175RAP-48JHH** (MS)	48	28~56	168	3.5	8000	610	17.3	3.1	78.74	83	1	<input checked="" type="checkbox"/>
SD175RAP-48JH** (MS)	48	28~56	129.6	2.7	7500	568	16.1	2.85	72.39	80	2	<input checked="" type="checkbox"/>
SD175RAP-48EHH** (MS)	48	28~56	120	2.5	6500	475	13.5	2.14	54.36	73	4	<input checked="" type="checkbox"/>
SD175RAP-48EH** (MS)	48	28~56	105.6	2.2	6000	440	12.5	1.82	46.23	72	5	<input checked="" type="checkbox"/>
SD175RAP-48SHH** (MS)	48	28~56	95.04	1.98	5500	400	11.3	1.55	39.37	70	6	<input checked="" type="checkbox"/>
SD175RAP-48SH** (MS)	48	28~56	66.24	1.38	5000	365	10.3	1.28	32.51	67	7	<input checked="" type="checkbox"/>
SD175RAP-48HHH** (MS)	48	28~56	47.04	0.98	4500	335	9.5	1.12	28.45	65	8	<input checked="" type="checkbox"/>
SD175RAP-48HH** (MS)	48	28~56	40.8	0.85	4200	310	8.8	0.98	24.89	63	9	<input checked="" type="checkbox"/>
SD175RAP-48H** (MS)	48	28~56	38.4	0.8	3600	272	7.7	0.88	22.35	58	10	<input checked="" type="checkbox"/>
SD175RAP-48M** (MS)	48	28~56	24.96	0.52	3200	242	6.9	0.7	17.78	55	11	<input checked="" type="checkbox"/>
SD175RAP-48L** (MS)	48	28~56	19.2	0.4	2900	220	6.2	0.58	14.73	53	12	<input checked="" type="checkbox"/>
SD175RAP-48LL** (MS)	48	28~56	16.8	0.35	2500	188	5.3	0.45	11.43	50	13	<input checked="" type="checkbox"/>

- ** = "WB" for wire lead type Ball bearing, or "TB" for terminal type Ball bearing
- Sinwan reserves the right to change data and improve electrical & mechanical design without notice, data tolerance +-10%

Motor

Motor Type: DC Motor

Burnout Protection: Elcetroneally protected, polarity protected

IP Protection: IP55, IP68 (Optional)

Mechanical

Frame: Aluminum die cast, black color(AP) or natural color(AN)

Impeller: 5 blades, glass fiber reinforced plastic, rated UL94V-0
 Bearing: Two ball bearings
 Rotation: CCW seen on rotor
 Connection: Wire lead or Terminal flat pin connecting
 Weight: 850g

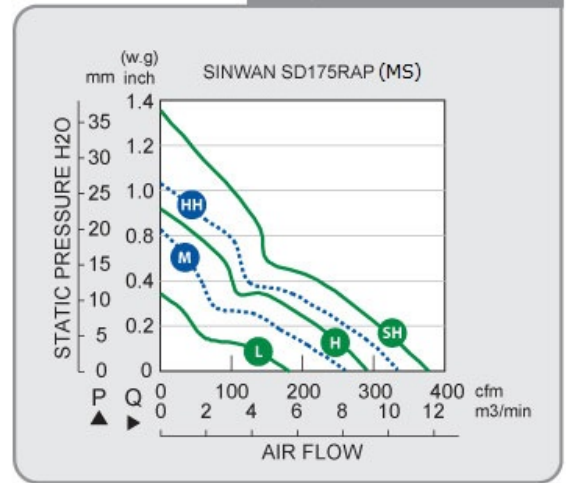
Electronical

Dielectric Strength: 500 VAC/min. Max leakage 0.5mA
 Speed Control: Optional: PWM, S/C NTC thermister on request
 Signal Output: Optional: RD Rotation Detactor, FG Frequency Generator

Environment

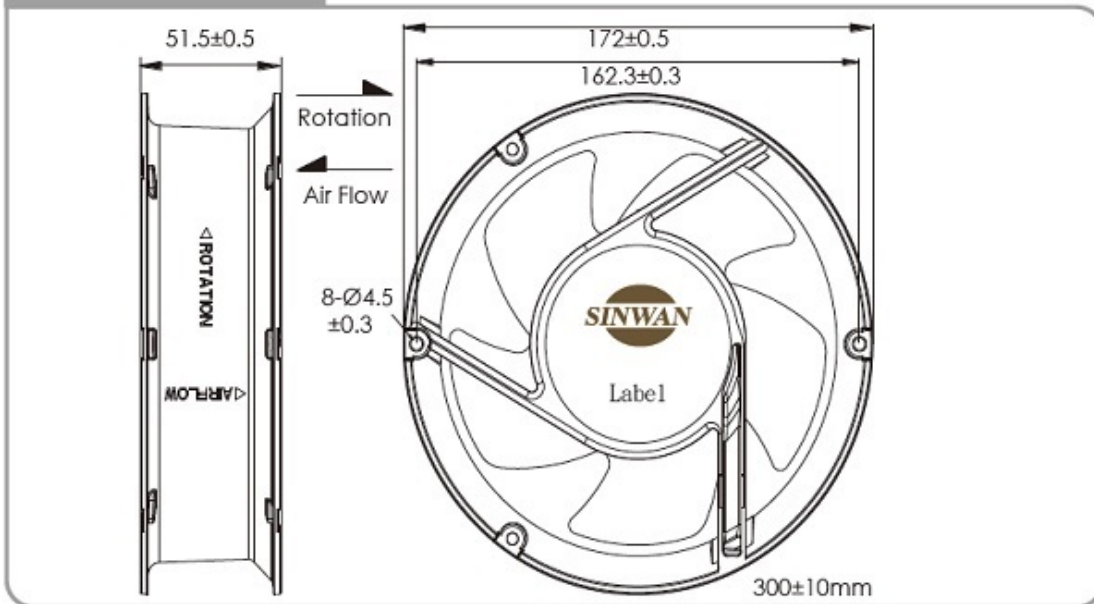
Operating Temp: -20C~+65C
 Storage Temp: -20C~+75C (at 65%RH)
 Life Expectancy: L10 70K hours at 40C

► Performance P-Q Curves



- 
 Nomenclature
- 
 R/D Alarm
- 
 F/G Tach
- 
 S/C Function
- 
 PWM Function

► Outline Dimensions



Relevant products

- 
 Metal Fan Guard
 G172-10H, G172-10HA
 - 
 Plastic Fan Guard
 G172P
 - 
 Plastic Fan Filter
 GRM172-30, GRM172-45
 - 
 Metal Fan Screen
 MF172S-30N
- 


- RoHS**