

Print page



·DC· SD1232PT (MS)



# 120x120x32mm /4.7x1.25inch

## 120~65 CFM

Plastic Impeller

Model No	Rated Volt VDC	Voltage Range VDC	Input Power Watt	Rated Current Amp	Ref. Speed RPM	Max.Airflow CFM	m3/min	Max.Static Pressure Inch/H2O	mm	Noise Level db(A)	PQ Curves	UL
SD1232PT-05SH** (MS)	5	4~6	9.5	1.9	3750	120	3.4	0.53	13.46	45	1	✓
SD1232PT-05HH** (MS)	5	4~6	8	1.6	3300	107	3	0.47	11.94	40	2	✓
SD1232PT-05H** (MS)	5	4~6	5	0.98	2900	93	2.6	0.41	10.41	35	3	✓
SD1232PT-05M** (MS)	5	4~6	3.3	0.65	2400	80	2.3	0.35	8.89	29	4	✓
SD1232PT-05L** (MS)	5	4~6	2.5	0.5	2000	65	1.8	0.28	7.11	25	5	✓
SD1232PT-12SH** (MS)	12	8~13.8	10.1	0.84	3750	120	3.4	0.53	13.46	45	1	✓
SD1232PT-12HH** (MS)	12	8~13.8	8.4	0.7	3300	107	3	0.47	11.94	40	2	✓
SD1232PT-12H** (MS)	12	8~13.8	6	0.5	2900	93	2.6	0.41	10.41	35	3	✓
SD1232PT-12M** (MS)	12	8~13.8	5	0.4	2400	80	2.3	0.35	8.89	29	4	✓
SD1232PT-12L** (MS)	12	8~13.8	3	0.25	2000	65	1.8	0.28	7.11	25	5	✓
SD1232PT-24SH** (MS)	24	14~26.4	10.1	0.42	3750	120	3.4	0.53	13.46	45	1	✓
SD1232PT-24HH** (MS)	24	14~26.4	8.4	0.35	3300	107	3	0.47	11.94	40	2	✓
SD1232PT-24H** (MS)	24	14~26.4	7.2	0.3	2900	93	2.6	0.41	10.41	35	3	✓
SD1232PT-24M** (MS)	24	14~26.4	4.8	0.2	2400	80	2.3	0.35	8.89	29	4	✓
SD1232PT-24L** (MS)	24	14~26.4	3.6	0.15	2000	65	1.8	0.28	7.11	25	5	✓
SD1232PT-48SH** (MS)	48	28~56	10.1	0.21	3750	120	3.4	0.53	13.46	45	1	✓
SD1232PT-48HH** (MS)	48	28~56	8.6	0.18	3300	107	3	0.47	11.94	40	2	✓
SD1232PT-48H** (MS)	48	28~56	6	0.12	2900	93	2.6	0.41	10.41	35	3	✓
SD1232PT-48M** (MS)	48	28~56	4	0.08	2400	80	2.3	0.35	8.89	29	4	✓
SD1232PT-48L** (MS)	48	28~56	3.4	0.07	2000	65	1.8	0.28	7.11	25	5	✓

- \*\* = "WB" for wire lead type Ball bearing, or "TB" for terminal type Ball bearing
- Sinwan reserves the right to change data and improve electrical & mechanical design without notice, data tolerance +-10%

### Motor

Motor Type: Brushless DC Motor  
 Burnout Protection: Electronically protected, polarity protected  
 IP Protection: IP55, IP67 (Optional)

### Mechanical

Frame: Glass fiber reinforced thermoplastic, rated UL94V-0  
 Impeller: 7 blades, glass fiber reinforced plastic, rated UL94V-0  
 Bearing: Two ball bearings  
 Rotation: CCW seen on rotor  
 Connection: Wire lead or Terminal flat pin connecting  
 Weight: 265g

### Electrical

Dielectric Strength: 500 VAC/min. Max leakage 0.5mA  
 Speed Control: Optional:PWM, S/C NTC thermister

Signal Output: Optional:RD Rotation Detector, FG Frequency Generator

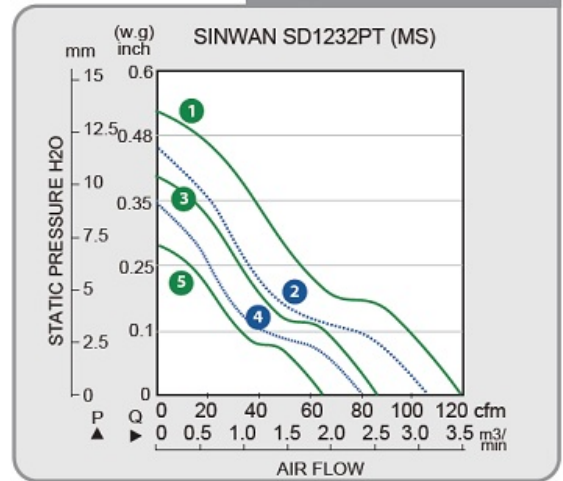
**Environment**

Operating Temp: -20C~+65C

Storage Temp: -20C~+75C (at 65%RH)

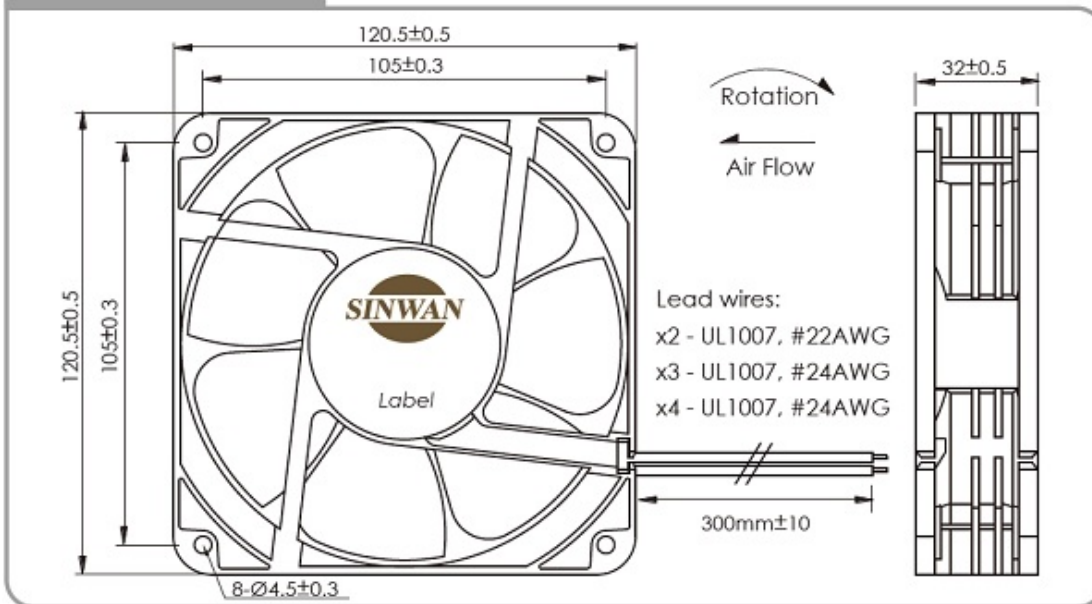
Life Expectancy: L10 70K hours at 40C

► Performance P-Q Curves



-   
 Nomenclature
-   
 R/D Alarm
-   
 F/G Tach
-   
 S/C Function
-   
 PWM Function

► Outline Dimensions



Relevant products



Metal Fan Guard  
 G109-15A, G109-15B,  
 G109-17



Plastic Fan Guard  
 G119P2, G119P4, G120P,  
 G120P2, G120P25F,  
 G120P4



Plastic Fan Filter  
 GRM120-30, GRM120-45



Metal Fan Screen  
 MF120S-30N



RoHS