

Print page



·DC· SD1225SPT (MS)



**120x120x25mm / 4.7x1inch**  
**160CFM**

Plastic Impeller

Model No	Rated Volt VDC	Voltage Range VDC	Input Power Watt	Rated Current Amp	Ref. Speed RPM	Max. Airflow CFM	m <sup>3</sup> /min	Max. Static Pressure Inch/H <sub>2</sub> O	mm	Noise Level db(A)	PQ Curves
SD1225SPT-12HH** (MS)	12	7~13.2	16.8	1.4	4000	160	4.5	0.49	12.45	57	1
SD1225SPT-24HH** (MS)	24	14~26.4	20.4	0.85	4000	160	4.5	0.49	12.45	57	1
SD1225SPT-48HH** (MS)	48	28~56	14.4	0.3	4000	160	4.5	0.49	12.45	57	1

- \*\* = "WB" for wire lead type Ball bearing, or "TB" for terminal type Ball bearing
- Sinwan reserves the right to change data and improve electrical & mechanical design without notice, data tolerance +-10%

**Motor**

Motor Type:	DC Motor
Burnout Protection:	Electronically protected, Polarity protected
IP Protection:	IP55, IP68 (Optional)

**Mechanical**

Frame:	Glass fiber reinforced thermoplastic, rated UL94V-0
Impeller:	9 blades, glass fiber reinforced plastic, rated UL94V-0
Bearing:	Two ball bearings
Rotation:	CCW seen on rotor
Connection:	Wire lead or Terminal flat pin connecting
Weight:	205g

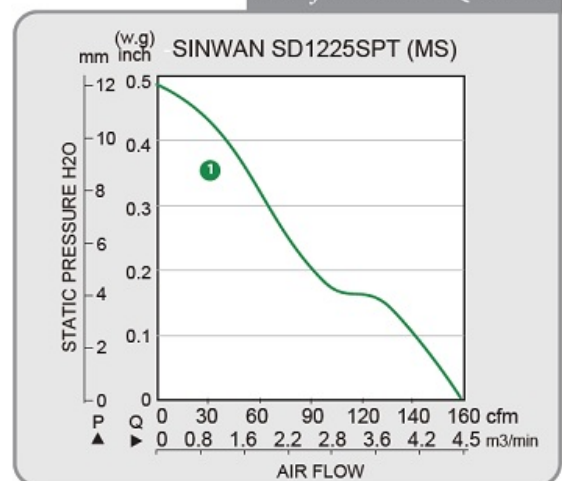
**Electronical**

Dielectric Strength:	500 VAC/min. Max leakage 0.5mA
Speed Control:	Optional: PWM, S/C NTC thermister
Signal Output:	Optional: RD Rotation Detactor, FG Frequency Generator

**Environment**

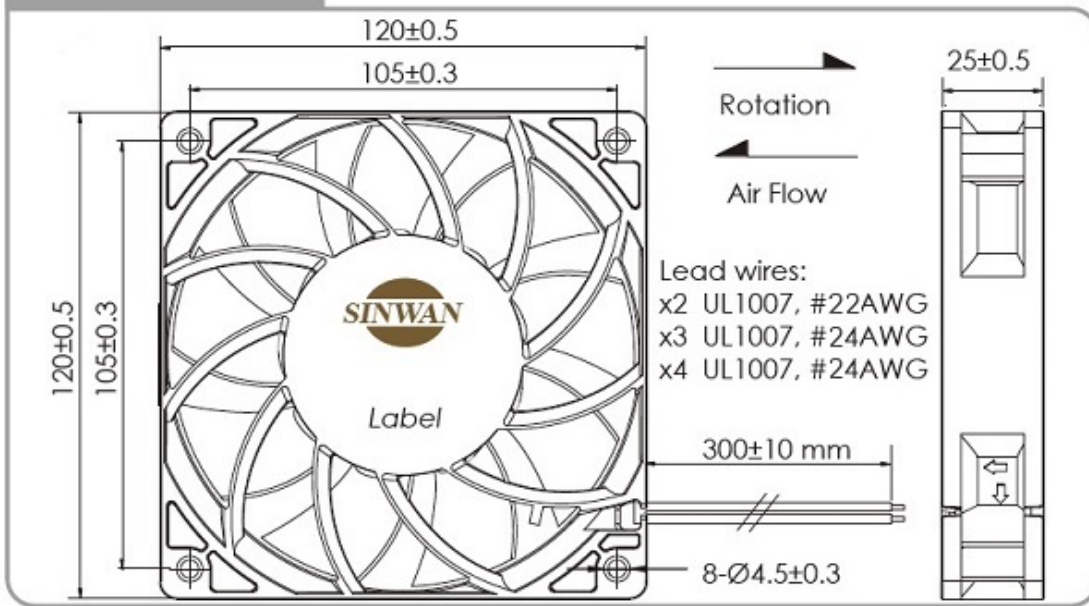
Operating Temp:	-20C~+65C
Storage Temp:	-20C~+75C (at 65%RH)
Life Expectancy:	L10 70K hours at 40C

► Performance P-Q Curves



-  Nomenclature
-  R/D Alarm
-  F/G Tach
-  S/C Function
-  PWM Function

► Outline Dimensions



Relevant products



Metal Fan Guard

G109-15A, G109-15B,  
G109-17



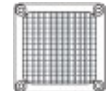
Plastic Fan Guard

G119P2, G119P4, G120P,  
G120P2, G120P25F,  
G120P4



Plastic Fan Filter

GRM120-30, GRM120-45



Metal Fan Screen  
MF120S-30N

