

Print page



·DC· SD1225PT



120x120x25.5mm / 4.7x1inch
86~45 CFM

Plastic Impeller

Model No	Rated Volt	Voltage Range	Input Power	Rated Current	Ref. Speed	Max. Airflow		Max. Static Pressure		Noise Level	PQ Curves
	VDC	VDC	Watt	Amp	RPM	CFM	m ³ /min	Inch/H ₂ O	mm	db(A)	
SD1225PT-12H	12	8~13.8	5.4	0.45	2900	86	2.4	0.24	6.1	42	H
SD1225PT-12M	12	8~13.8	4.0	0.35	2500	70	2	0.19	4.83	35	M
SD1225PT-12L	12	8~14	2.5	0.20	2000	45	1.3	0.15	3.81	25	L
SD1225PT-24H	24	14~26	5.5	0.23	2900	86	2.4	0.24	6.1	42	H
SD1225PT-24M	24	14~26	4.1	0.17	2500	70	2	0.19	4.83	35	M
SD1225PT-24L	24	14~27.6	2.4	0.10	2000	45	1.3	0.15	3.81	25	L
SD1225PT-48H	48	22~55	4.5	0.09	2900	86	2.4	0.24	6.1	42	H
SD1225PT-48M	48	22~55	3.5	0.07	2500	70	2	0.19	4.83	35	M
SD1225PT-48L	48	22~56	2.9	0.06	2000	45	1.3	0.15	3.81	25	L

- ** = "WB" for wire lead type Ball bearing, or "TB" for terminal type Ball bearing
- Sinwan reserves the right to change data and improve electrical & mechanical design without notice, data tolerance +-10%

Motor

Motor Type: Brushless DC Motor, auto cutoff, auto restart

Burnout Protection: Electronically protected, polarity protected

IP Protection: IP55, IP56 (Optional)

Mechanical

Frame: Glass fiber reinforced thermoplastic, rated UL94V-0(PT)

Impeller: 5 blades, glass fiber reinforced plastic, rated UL94V-0

Bearing: Two ball bearings

Rotation: CCW seen on rotor

Connection: Wire lead or terminal flat pin connecting

Weight: 160g (0.353Lbs)

Electronical

Dielectric Strength: 500 VAC/min. Max leakage 0.5mA

Speed Control: Optional: PWM, S/C NTC thermister

Signal Output: Optional: RD Rotation Detactor, FG Frequency Generator

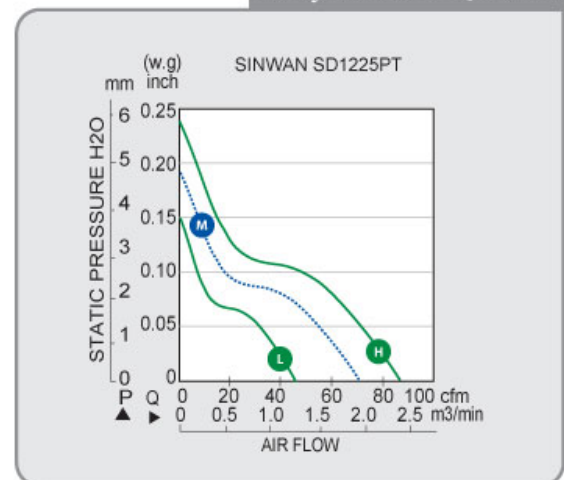
Environment

Operating Temp: -20C~+65C

Storage Temp: -20C~+75C (at 65%RH)

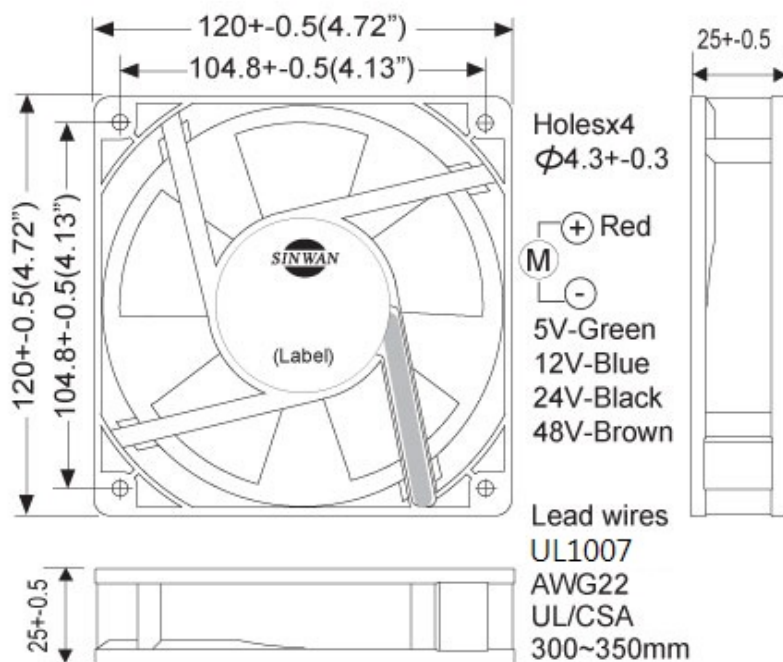
Life Expectancy: L10 60K hours at 35C, 50K hours at 55C

► Performance P-Q Curves



-  Nomenclature
-  R/D Alarm
-  F/G Tach
-  S/C Function
-  PWM Function

▶ Outline Dimensions



Relevant products



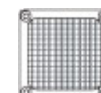
Metal Fan Guard
G109-15A, G109-15B,
G109-17



Plastic Fan Guard
G119P2, G119P4, G120P,
G120P2, G120P25F,
G120P4



Plastic Fan Filter
GRM120-30, GRM120-45



Metal Fan Screen
MF120S-30N



RoHS