



E89520 fans
E329400 motors

Language

ENGLISH ▾

Home About Sinwan Technical Support Contact Us

AC Fans DC Fans EC Fans IP68/IP69K Fans Heat-Resistant Fans Reversible Flow Fans Fan Accessories Motors

Print page



·AC· S127AP



127x127x38.5mm/5x1.5inch

130 CFM

Sinwan Plastic Impeller Tubeaxial Fan

Model No	Rated	Voltage	Freq	Input	Ref.	Max.Airflow		Max.Static Pressure		Noise	PQ
	Volt	Range				Power	Speed	CFM	m3/min		
	VAC	VAC	Hz	Watt	RPM					db(A)	
S127AP-11-1**	115	100~120	50/60	16/14 (~25)	2600/2750	115/130	3.3/3.7	0.29/0.25	7.37/6.35	46	2/1
S127AP-11-2**	115	100~120	50/60	12/10	2450/2300	105/98	3/2.8	0.27/0.23	6.86/5.84	37	4/3
S127AP-11-3**	115	100~120	50/60	9/7	1600/1200	75/65	2.1/1.8	0.18/0.14	4.57/3.56	25	6/5
S127AP-11-3 (33)**	115	100~120	50/60	9/7	1200/1000	66/55	1.9/1.6	0.15/0.12	3.81/3.05	20	
S127AP-22-1**	230	200~240	50/60	16/14 (~25)	2600/2750	115/130	3.3/3.7	0.29/0.25	7.37/6.35	46	2/1
S127AP-22-2**	230	200~240	50/60	12/10	2450/2300	105/98	3/2.8	0.27/0.23	6.86/5.84	37	4/3
S127AP-22-3**	230	200~240	50/60	9/7	1600/1200	75/65	2.1/1.8	0.18/0.14	4.57/3.56	25	6/5
S127AP-11/22-1**	115	100~120	50/60	16/14 (~25)	2600/2750	115/130	3.3/3.7	0.29/0.25	7.37/6.35	46	2/1
dual voltage	230	200~240									

- ** = "WB" for wire lead type Ball bearing, or "TB" for terminal type Ball bearing
- 100, 200, 240V or special voltages 12, 24, 28, 38, 42, 48, 380~440~480... 50/60Hz, & dual voltage version available on request.
- Dual speed High/Medium 1/2, High/Low 1/3, Medium/Low 2/3, Low/extra Low 3/4 or triple speed 1/2/3 available on request.
- Sinwan reserves the right to change data and improve electrical or mechanical design without notice, data tolerance +-10%

Motor

Motor Type: Shaded pole induction, inner rotor, 1-phase

Burnout Protection: Impedance protected

IP Protection: -

Mechanical

Frame: Aluminum die cast, black(S127AP)

Impeller: 5 blades, glass fiber reinforced plastic, rated UL94V-0

Bearing: Two ball bearings, or sleeve bearing

Rotation: CCW seen on rotor

Connection: Wire leads, terminal flat pin

Weight: 600 g (1.32 Lbs)

Electronical

Dielectric Strength: Over 1 min.at 1,500 VAC, 0.5mA, 50/60 Hz

Insulation Resistance: Over 100 MΩ at DC 500V

Signal Output:

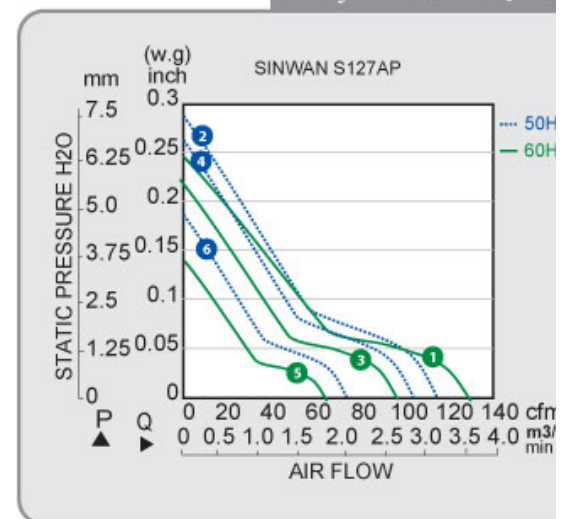
Environment

Operating Temp: Non-condensing ball bearing (-20C~+70C), sleeve (-10~+40C)

Storage Temp: -40C~+100C (at 65%RH)

Life Expectancy: Ball bearing 85K hours at 45C, 40K hours at 60C

► Performance P-Q Cur

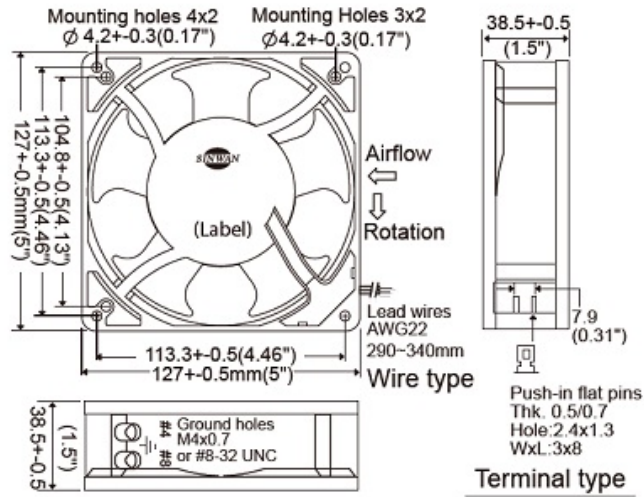


↓
Nomenclature

⚡
Dual Voltage

⚙️
Multiple Speed

► Outline Dimensions



Relevant products



Metal Fan Guard
G127-8



Plastic Fan Guard
G127P2

