

Print page



·DC· PFD225HAN



Dia.225x99mm/8.8x3.89inch
835CFM

Motorized Impeller, Backward curved blades

Model No	Rated Volt	Voltage Range	Input Power	Rated Current	Ref. Speed	Max. Airflow		Max. Static Pressure		Noise Level	PQ Curves
	VDC	VDC	Watt	Amp	RPM	CFM	m ³ /min	Inch/H ₂ O	mm	db(A)	
PFD225HAN-24H**	24	16~28	110.4	4.6	2500	835	23.6	2.05	52.07	67	
PFD225HAN-48H**	48	36~56	110.4	2.3	2500	835	23.6	2.05	52.07	67	

- ** = "WB" for wire leads type, Ball bearing, or "TB" for terminal block connecting type, Ball bearing
- Sinwan reserves the right to change data and improve electrical & mechanical design without notice, data tolerance +-10%

Motor

Motor Type:	Brushless DC motor, auto cutoff, auto restart
Burnout Protection:	Electronically protected, polarity protected
IP Protection:	-

Mechanical

Frame:	Aluminum die casting motor frame
Impeller:	PA66 Nylon Impeller
Bearing:	Two ball bearings
Rotation:	CW seen on rotor
Connection:	Wire type
Weight:	1,500g

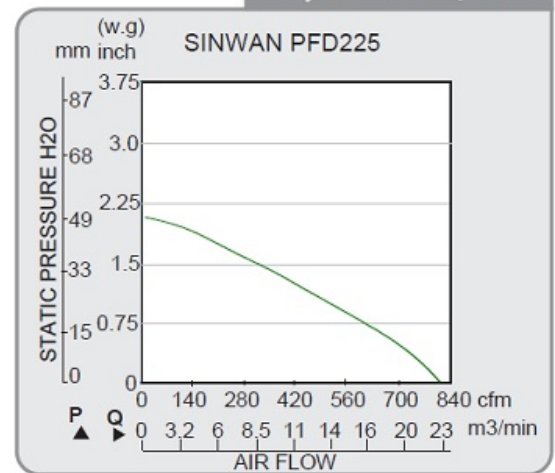
Electronical

Dielectric Strength:	500 VAC/min. Max leakage 0.5mA
Speed Control:	S/C-ntc, PWM, 0~10V S/V on request
Signal Output:	RD alarm, FG tachometer on request

Environment

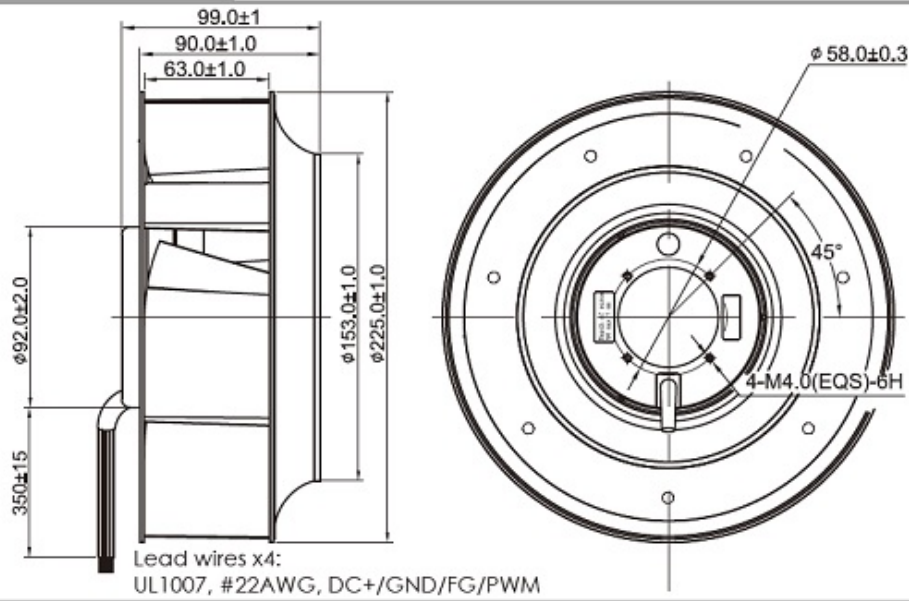
Operating Temp:	-20C~+65C
Storage Temp:	-20C~+75C (at 65%RH)
Life Expectancy:	L10 50K hours at 25C

Performance P-Q Curves



-  Nomenclature
-  R/D Alarm
-  F/G Tach
-  S/C Function
-  PWM Function

▶ Outline Dimensions



Relevant products



Inlet nozzle/Duct ring
DR2025SN

