

Print page



·DC· PFD190RAN



Dia.190x69mm/7.5x2.7inch 432CFM

Motorized Impeller, Backward curved blades

Model No	Rated Volt	Voltage Range	Input Power	Rated Current	Ref. Speed	Max. Airflow		Max. Static Pressure		Noise Level	PQ
	VDC	VDC	Watt	Amp	RPM	CFM	m3/min	Inch/H2O	mm	db(A)	Curves
PFD190RAN-24H**	24	16~28	108	4.5	3200	395	11.2	1.97	50.04	70	1
PFD190RAN-24M**	24	16~28	64.8	2.7	2500	310	8.8	1.53	38.86	59	2
PFD190RAN-24L**	24	16~28	52.8	2.2	2000	250	7.1	1.23	31.24	47	3
PFD190RAN-48H**	48	36~56	122.4	2.55	3500	432	12.2	2.0	50.8	73	4
PFD190RAN-48M**	48	36~56	76.8	1.6	2800	345	9.8	1.6	40.64	60	5
PFD190RAN-48L**	48	36~56	57.6	1.2	2000	250	7.1	1.25	31.75	47	3

• Sinwan reserves the right to change data and improve electrical & mechanical design without notice, data tolerance +-10%

Motor

Motor Type:	DC Centrifugal Fan
Burnout Protection:	Electronically protected, polarity protected
IP Protection:	-

Mechanical

Frame:	Aluminum die cast, Natural color
Impeller:	PA66 Nylon Impeller
Bearing:	Two ball bearings
Rotation:	CW seen on rotor
Connection:	Wire type
Weight:	830g

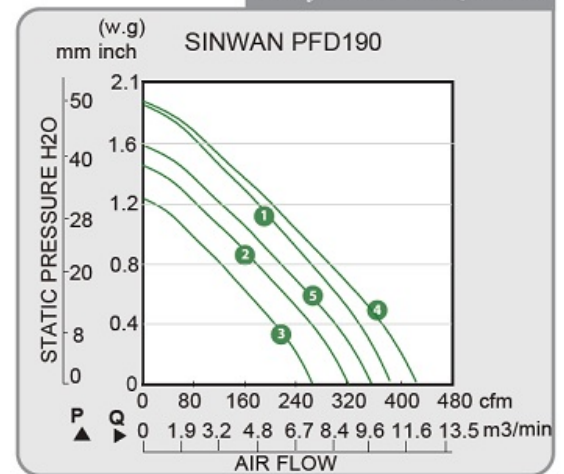
Electronical

Dielectric Strength:	500 VAC/min. Max leakage 0.5mA
Speed Control:	S/C-ntc, PWM, 0~10V S/V on request
Signal Output:	RD alarm, FG tachometer on request

Environment

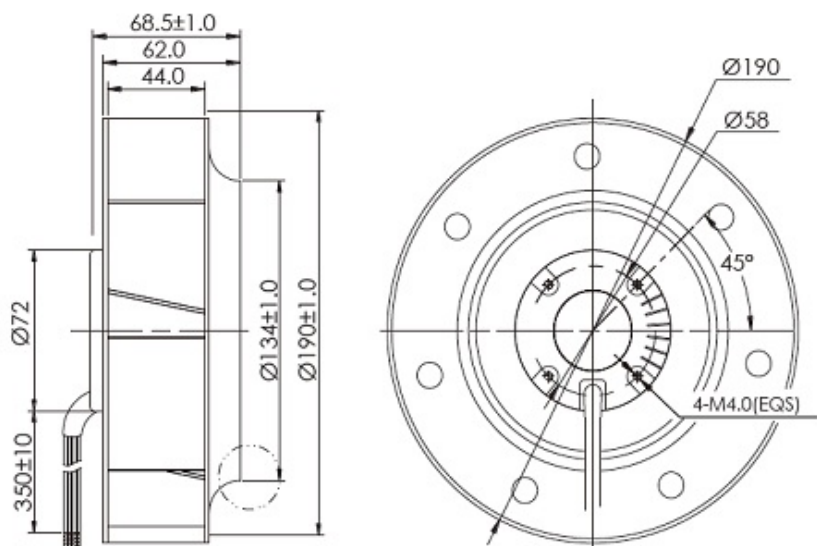
Operating Temp:	-20C~+65C
Storage Temp:	-20C~+75C (at 65%RH)
Life Expectancy:	L10 50K hours at 25C

► Performance P-Q Curves



- 
Nomenclature
- 
R/D Alarm
- 
F/G Tach
- 
S/C Function
- 
PWM Function

► Outline Dimensions



Lead wires x4: UL1007, #22AWG, DC+/GND/FG/PWM

Relevant products



Inlet nozzle/Duct ring
DR1719SN

