

Print page



·DC· PFD133RAN



Dia.133x91mm/5.2x3.5inch
326CFM

Motorized Impeller, Backward curved blades

Model No	Rated Volt	Voltage Range	Input Power	Rated Current	Ref. Speed	Max. Airflow		Max. Static Pressure		Noise Level	PQ Curves
	VDC	VDC	Watt	Amp	RPM	CFM	m3/min	Inch/H2O	mm	db(A)	
PFD133RAN-24H**	24	16~28	63.6	2.65	4600	326	9.2	1.9	48.26	68	H
PFD133RAN-24M**	24	16~28	40.8	1.7	3800	270	7.6	1.5	38.1	60	M
PFD133RAN-24L**	24	16~28	28.8	1.2	3000	215	6.1	1.2	30.48	53	L
PFD133RAN-48H**	48	36~56	60	1.25	4600	326	9.2	1.9	48.26	68	H
PFD133RAN-48M**	48	36~56	38.4	0.8	3800	270	7.6	1.5	38.1	60	M
PFD133RAN-48L**	48	36~56	19.2	0.4	3000	215	6.1	1.2	30.48	53	L

- ** = "WB" for wire leads type, Ball bearing
- Sinwan reserves the right to change data and improve electrical & mechanical design without notice, data tolerance +-10%

Motor

Motor Type:	Brushless DC motor, auto cutoff, auto restart
Burnout Protection:	Electronically protected, polarity protected
IP Protection:	-

Mechanical

Frame:	Aluminum die casting motor frame
Impeller:	PA66 Nylon Impeller
Bearing:	Two ball bearings
Rotation:	CW seen on rotor
Connection:	Wire leads
Weight:	700g

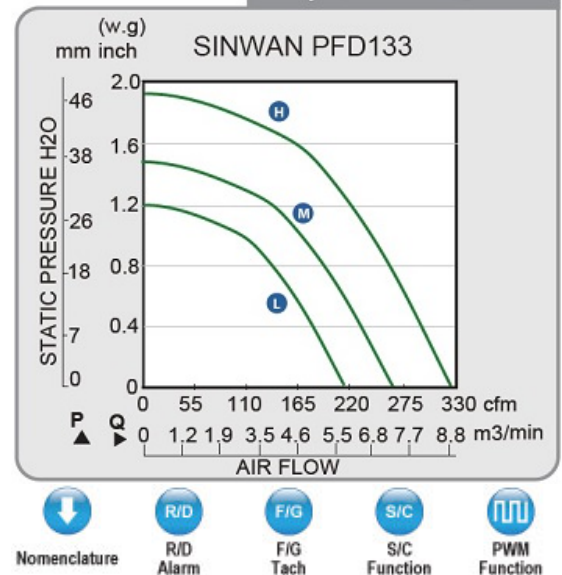
Electronical

Dielectric Strength:	500 VAC/min. Max leakage 0.5mA
Speed Control:	S/C-ntc, PWM, 0~10V S/V on request
Signal Output:	RD alarm, FG tachometer on request

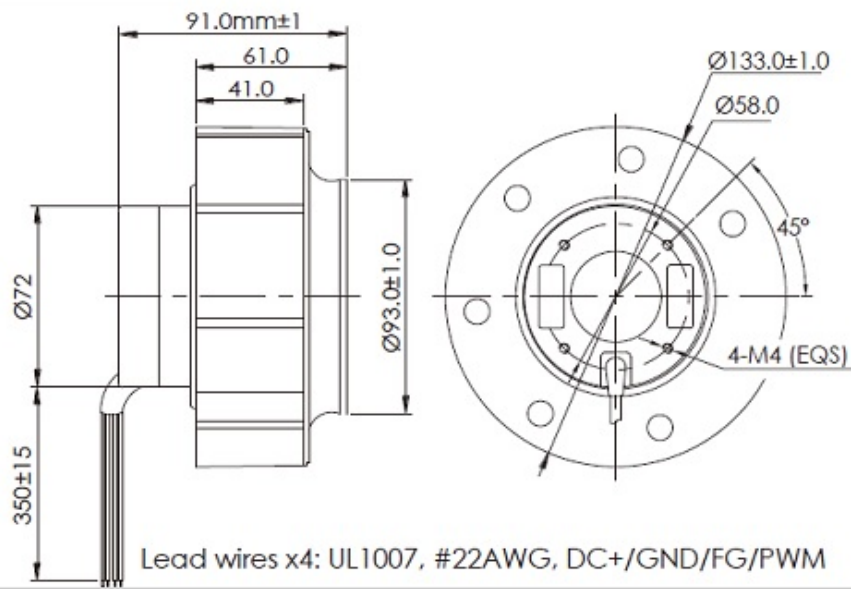
Environment

Operating Temp:	-20C~+65C
Storage Temp:	-20C~+75C (at 65%RH)
Life Expectancy:	L10 50K hours at 25C

► Performance P-Q Curves



▶ Outline Dimensions



Relevant products



Inlet nozzle/Duct ring
DR133SN

