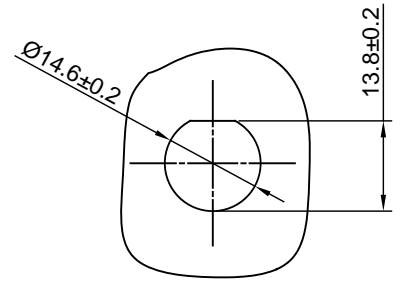
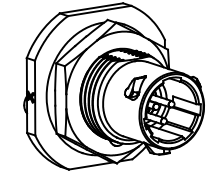
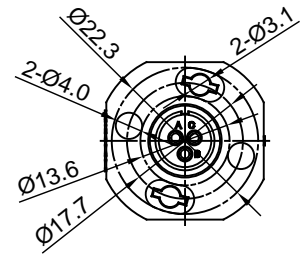
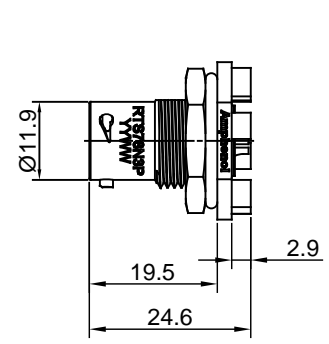
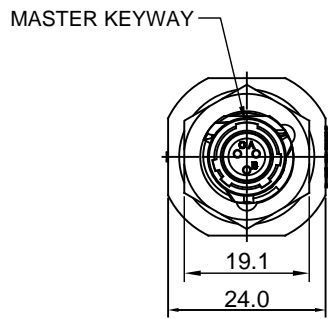


REVISIONS					
REV	ECO	DESCRIPTION	DATE	BY	APPR
A1		RELEASED DRAWING	APR-05-2016	SULLEN	TOMMY



PANEL CUT OUT REFERENCE  
PANEL THICKNESS : 3.2MM MAX.

KEY	PRODUCT PART
N	RTS78N3P

NOTES : (UNLESS OTHERWISE SPECIFIED)

- MATERIAL :  
SHELL : THERMOPLASTIC , UL94 V-0.  
INSERT : CR.  
O-RING : NBR OR SR.  
SEAL GASKET : NBR OR SR.  
JAM NUT : AL ALLOY , BLACK ANODIZING.  
CONTACT : COPPER ALLOY , GOLD PLATED.
- SPECIFICATIONS :  
2.1 RATED CURRENT : 7A (MAX).  
2.2 RATED VOLTAGE : 250V(AC/DC).  
2.3 OPERATING TEMPERATURE : -40°C ~ 105°C.  
2.4 DIELECTRIC WITHSTANDING VOLTAGE : LESS THAN 2 MILLIAMPS CURRENT LEAKAGE@1500 VOLTS AC.  
2.5 INSULATION RESISTANCE : 5000 MEGOHMS MIN.  
2.6 IP--CLASS : IP67.  
2.7 MATING CYCLES DURABILITY : 500 CYCLES MIN.  
2.8 RoHS COMPLIANT.
- ALL DIMENSIONS ARE FOR REFERENCE USE ONLY.

QUANTITY	PART NUMBER	DESCRIPTION	ITEM										
<b>MATERIALS LIST</b>													
UNLESS OTHERWISE SPECIFIED 1) All dimensions are in metric(mm). 2) Tolerances are as follows: 1 PL DEC ±0.30   Fractions ±1/64 2 PL DEC ±0.15   Angles ±1° 3 PL DEC ±0.08		<table border="1"> <tr> <td>SIGNATURES</td> <td>DATE</td> </tr> <tr> <td>DRAWN: SULLEN ZHANG</td> <td>APR-05-2016</td> </tr> <tr> <td>CHECKED:</td> <td></td> </tr> <tr> <td>ENGINEER:</td> <td></td> </tr> <tr> <td>APPROVAL:</td> <td></td> </tr> </table>		SIGNATURES	DATE	DRAWN: SULLEN ZHANG	APR-05-2016	CHECKED:		ENGINEER:		APPROVAL:	
SIGNATURES	DATE												
DRAWN: SULLEN ZHANG	APR-05-2016												
CHECKED:													
ENGINEER:													
APPROVAL:													
MATERIAL SPECIFICATIONS:		<h1>Amphenol</h1> <p>Sine Systems - www.amphenol-sine.com 44724 Morley Drive Clinton Township, MI 48036</p>											
PROCESS SPECIFICATIONS:		<p>ECO-MATE, RECEPTACLE, JAM NUT, SIZE 8, 3POS, PIN</p>											
NEXT ASSY:		<table border="1"> <tr> <td>SIZE</td> <td>TYPE</td> <td>DWG NO.</td> <td>REVISION</td> </tr> <tr> <td>B</td> <td>C-</td> <td>RTS78*3P</td> <td>A1</td> </tr> </table>	SIZE	TYPE	DWG NO.	REVISION	B	C-	RTS78*3P	A1			
SIZE	TYPE	DWG NO.	REVISION										
B	C-	RTS78*3P	A1										
		SCALE: NONE	SHEET 1 OF 1										

TITLE: ECO-MATE, RECEPTACLE, JAM NUT, SIZE 8, 3POS, PIN  
DWG NO.: RTS78\*3P  
REV: A1  
SH: 1  
OF: 1