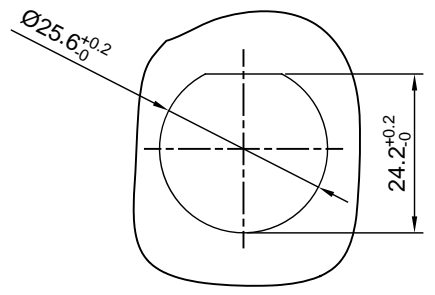
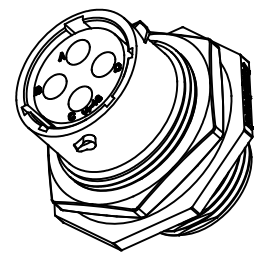
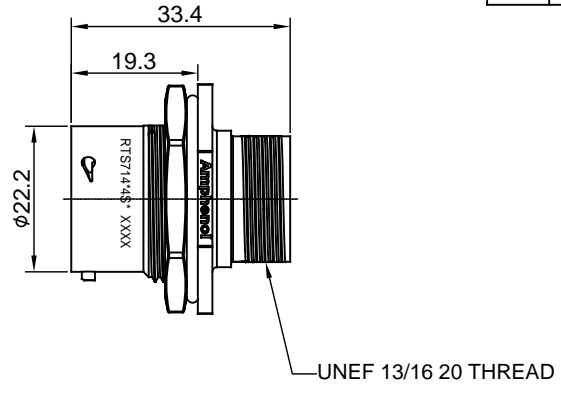
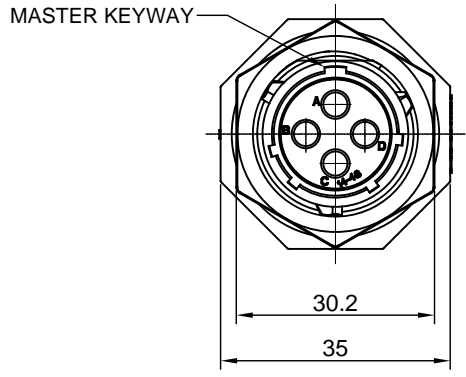


| REVISIONS | | | | | |
|-----------|-----|------------------|----------|------|-------|
| REV | ECO | DESCRIPTION | DATE | BY | APPR |
| A1 | -- | RELEASED DRAWING | JUN-3-16 | JONY | TOMMY |



PANEL CUTOUT REFERENCE THICKNESS: 3.2MM (MAX)

NOTES : (UNLESS OTHERWISE SPECIFIED)

- MATERIAL :
SHELL : THERMOPLASTIC , UL94 V-0.
INSERT : THERMOPLASTIC , UL94 V-0.
O-RING : NBR OR SR.
SEAL GASKET : NBR OR SR.
JAM NUT : AL ALLOY , BLACK ANODIZING.
- SPECIFICATIONS :
2.1 RATED CURRENT : 23A (MAX).
2.2 RATED VOLTAGE : 500V(AC/DC).
2.3 OPERATING TEMPERATURE : SEE TABLE.
2.4 DIELECTRIC WITHSTANDING VOLTAGE : LESS THAN 2 MILLIAMPS CURRENT LEAKAGE@2000 VOLTS AC.
2.5 INSULATION RESISTANCE : 5000 MEGOHMS MIN.
2.6 IP CLASS : IP67.
2.7 MATING CYCLES DURABILITY : 500 CYCLES MIN.
2.8 RoHS COMPLIANT.
- SUITABLE CONTACTS : 2.5MM CONTACTS.
- ALL DIMENSIONS ARE FOR REFERENCE USE ONLY.

| KEY | PART NUMBER | |
|-----|---------------|---------------|
| | -40°C ~ 105°C | -40°C ~ 125°C |
| N | RTS714N4S | RTS714N4S03 |

| QUANTITY | PART NUMBER | DESCRIPTION | ITEM |
|---|-------------|--|---|
| MATERIALS LIST | | | |
| UNLESS OTHERWISE SPECIFIED 1) All dimensions are in metric(mm). 2) Tolerances are as follows: 1 PL DEC ±0.30 Fractions ±1/64 2 PL DEC ±0.15 Angles ±1° 3 PL DEC ±0.08 3) Note reference = | | SIGNATURES | DATE |
| DRAWN: JONY | | JUN-3-16 | <h1 style="margin: 0;">Amphenol</h1> <p style="margin: 0;">Sine Systems - www.amphenol-sine.com 44724 Morley Drive Clinton Township, MI 48036</p> |
| CHECKED: | | | |
| ENGINEER: | | | |
| APPROVAL: | | | |
| MATERIAL SPECIFICATIONS: | | CUSTOMER: | |
| PROCESS SPECIFICATIONS: | | THIS DRAWING IS SUPPLIED FOR INFORMATION ONLY. DESIGN FEATURES, SPECIFICATIONS AND PERFORMANCE DATA SHOWN HEREON ARE THE PROPERTY OF THE AMPHENOL CORPORATION. NO RIGHTS OF REPRODUCTION ARE IMPLIED. ALL DIMENSIONS ARE SUBJECT TO NORMAL MANUFACTURING VARIATIONS. | |
| NEXT ASSY: | | SIZE | TYPE |
| | | B | C- |
| | | SCALE | NONE |
| | | DWG NO. | RTS714*4S* |
| | | REVISION | A1 |
| | | SHEET | 1 OF 1 |

TITLE: ECO-MATE RECEPTACLE, JAM NUT SIZE 14, 4 POS, SOCKET
DWG NO.: RTS714*4S*
REV: A1
SH: 1
OF: 1