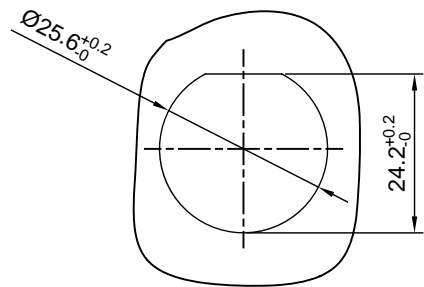
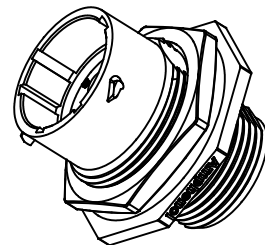
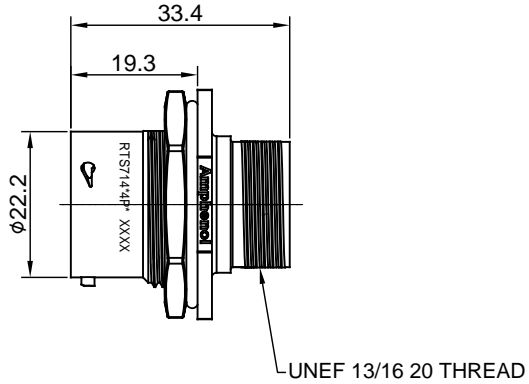
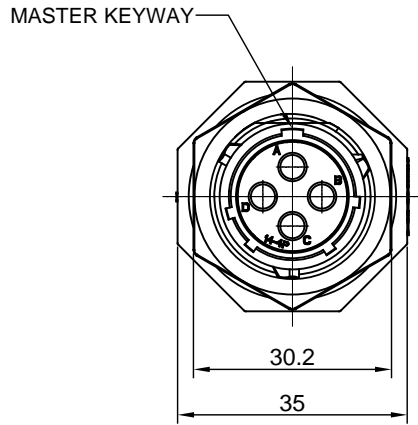


| REVISIONS |     |                  |          |      |       |
|-----------|-----|------------------|----------|------|-------|
| REV       | ECO | DESCRIPTION      | DATE     | BY   | APPR  |
| A1        | --  | RELEASED DRAWING | JUN-3-16 | JONY | TOMMY |



NOTES : (UNLESS OTHERWISE SPECIFIED)

- MATERIAL :  
 SHELL : THERMOPLASTIC , UL94 V-0.  
 INSERT : THERMOPLASTIC , UL94 V-0.  
 O-RING : NBR OR SR.  
 SEAL GASKET : NBR OR SR.  
 JAM NUT : AL ALLOY , BLACK ANODIZING.
- SPECIFICATIONS :  
 2.1 RATED CURRENT : 23A (MAX).  
 2.2 RATED VOLTAGE : 500V(AC/DC).  
 2.3 OPERATING TEMPERATURE : SEE CHART.  
 2.4 DIELECTRIC WITHSTANDING VOLTAGE : LESS THAN 2 MILLIAMPS CURRENT LEAKAGE@2000 VOLTS AC.  
 2.5 INSULATION RESISTANCE : 5000 MEGOHMS MIN.  
 2.6 IP CLASS : IP67.  
 2.7 MATING CYCLES DURABILITY : 500 CYCLES MIN.  
 2.8 RoHS COMPLIANT.
- SUITABLE CONTACTS : 2.5MM CONTACTS.
- ALL DIMENSIONS ARE FOR REFERENCE USE ONLY.

| KEY | PART NUMBER   |               |
|-----|---------------|---------------|
|     | -40°C ~ 105°C | -40°C ~ 125°C |
| N   | RTS714N4P     | RTS714N4P03   |

| QUANTITY  | PART NUMBER | DESCRIPTION   | ITEM   |
|---|-------------|---|--|
| <b>MATERIALS LIST</b>   |             |   |  |
| <small>UNLESS OTHERWISE SPECIFIED</small><br>1) All dimensions are in metric(mm).<br>2) Tolerances are as follows:<br>1 PL DEC ±0.30    Fractions ±1/64<br>2 PL DEC ±0.15    Angles ±1°<br>3 PL DEC ±0.08<br>3) Note reference =  |             | SIGNATURES    DATE<br>DRAWN: JONY    JUN-3-16<br>CHECKED:<br>ENGINEER:<br>APPROVAL:     | <br>Sine Systems - www.amphenol-sine.com<br>44724 Morley Drive<br>Clinton Township, MI 48036 |
| <small>MATERIAL SPECIFICATIONS:</small><br>THIS DRAWING IS SUPPLIED FOR INFORMATION ONLY. DESIGN FEATURES, SPECIFICATIONS AND PERFORMANCE DATA SHOWN HEREON ARE THE PROPERTY OF THE AMPHENOL CORPORATION. NO RIGHTS OF REPRODUCTION ARE IMPLIED. ALL DIMENSIONS ARE SUBJECT TO NORMAL MANUFACTURING VARIATIONS. |             | <small>CUSTOMER:</small><br>ECO-MATE, RECEPTACLE, JAM NUT, SIZE 14, 4POS, PIN.          |  |
| <small>PROCESS SPECIFICATIONS:</small><br>NEXT ASSY:  |             | <small>SIZE</small> <small>TYPE</small> <small>DWG NO.</small><br>B    C-    RTS714*4P* | <small>REVISION</small><br>A1  |
|   |             | <small>SCALE</small> <small>SHEET</small> <small>OF</small><br>NONE    1    1           |  |

TITLE: ECO-MATE, RECEPTACLE, JAM NUT, SIZE 14, 4POS, PIN.    DWG NO.: RTS714\*4P\*    REV: A1    SH: 1    OF: 1