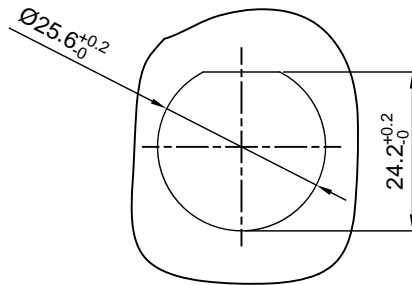
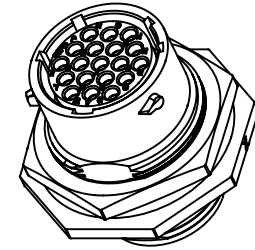
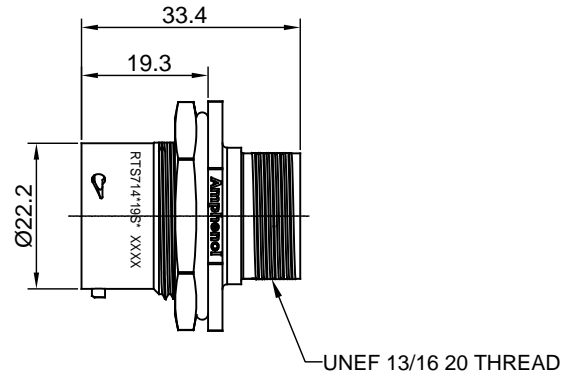
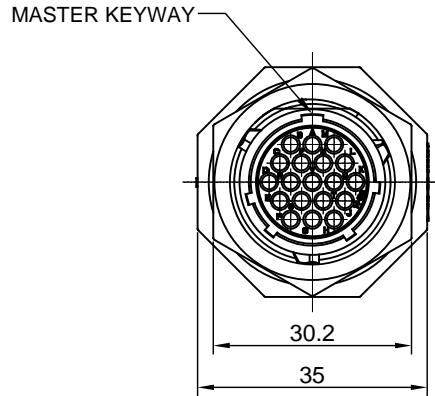


REVISIONS					
REV	ECO	DESCRIPTION	DATE	BY	APPR
A1	--	RELEASED DRAWING	MAY-09-16	JONY	TOMMY



PANEL CUTOUT REFERENCE THICKNESS:3.2MM (MAX)

NOTES : (UNLESS OTHERWISE SPECIFIED)

- MATERIAL :
SHELL : THERMOPLASTIC , UL94 V-0.
INSERT : THERMOPLASTIC , UL94 V-0.
O-RING : NBR OR SR.
SEAL GASKET : NBR OR SR.
JAM NUT : AL ALLOY , BLACK ANODIZING.
- SPECIFICATIONS :
2.1 RATED CURRENT : 5A (MAX).
2.2 RATED VOLTAGE : 250V(AC/DC).
2.3 OPERATING TEMPERATURE : SEE CHART.
2.4 DIELECTRIC WITHSTANDING VOLTAGE : LESS THAN 2 MILLIAMPS CURRENT LEAKAGE@2000 VOLTS AC.
2.5 INSULATION RESISTANCE : 5000 MEGOHMS MIN.
2.6 IP CLASS : IP67.
2.7 MATING CYCLES DURABILITY : 500 CYCLES MIN.
2.8 RoHS COMPLIANT.
- SUITABLE CONTACTS : 20# CONTACTS.
- ALL DIMENSIONS ARE FOR REFERENCE USE ONLY.

KEY	PART NUMBER	
	-40°C ~ 105°C	-40°C ~ 125°C
N	RTS714N19S	RTS714N19S03

QUANTITY	PART NUMBER	DESCRIPTION	ITEM
MATERIALS LIST			
UNLESS OTHERWISE SPECIFIED 1) All dimensions are in metric(mm). 2) Tolerances are as follows: 1 PL DEC ±0.30 Fractions ±1/64 2 PL DEC ±0.15 Angles ±1° 3 PL DEC ±0.08 3) Note reference =		SIGNATURES DRAWN: JONY CHECKED: ENGINEER: APPROVAL:	DATE MAY-09-16
MATERIAL SPECIFICATIONS:		Amphenol Sine Systems - www.amphenol-sine.com 44724 Morley Drive Clinton Township, MI 48036	
PROCESS SPECIFICATIONS:		ECO-MATE, RECEPTACLE, JAM NUT, SIZE 14, 19 POS, SOCKET	
NEXT ASSY:		SIZE B C-	TYPE NONE
		DWG NO. RTS714*19S*	REVISION A1
		SCALE	SHEET 1 OF 1

TITLE: ECO-MATE RECEPTACLE, JAM NUT, SIZE 14, 19 POS, SOCKET
DWG NO.: RTS714*19S*
REV: A1
SH: 1
OF: 1