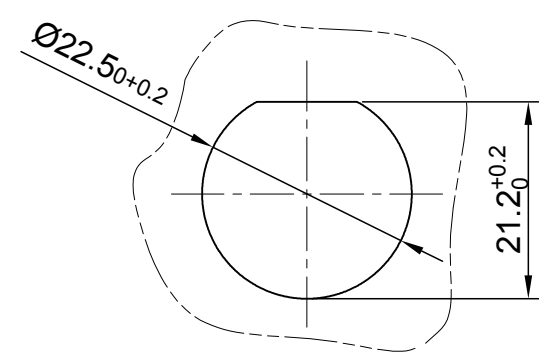
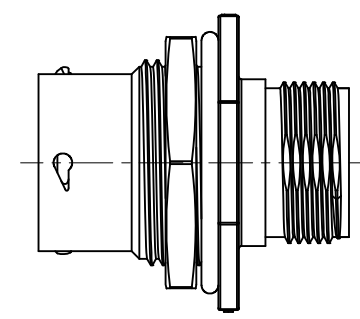
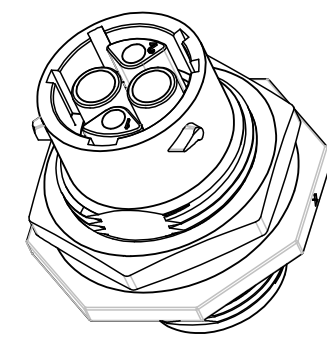
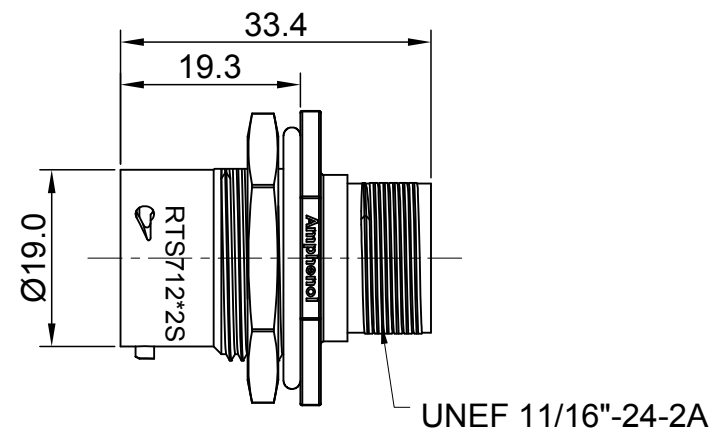
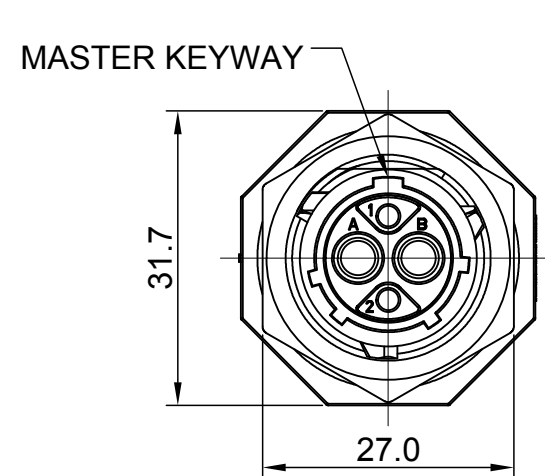


REVISIONS					
REV	ECO	DESCRIPTION	DATE	BY	APPR
A1	--	FIRST RELEASED	Jun.15,2016	Drack	Tommy
A2	--	UPDATE THE DRAWING	Jun.29,2016	Drack	Tommy
A3	--	UPDATE NOTES	Jun-21-2017	Nick	Tommy



NOTES : (UNLESS OTHERWISE SPECIFIED)

- MATERIAL :  
SHELL : THERMOPLASTIC , UL94 V-0.  
INSERT : THERMOPLASTIC , UL94 V-0.  
O-RING : NBR OR SILICONE RUBBER.  
SEAL GASKET : NBR OR SILICONE RUBBER.  
JAM NUT : ALUMINIUM ALLOY , BLACK ANODIZING.
- SPECIFICATIONS :  
2.1, RATED CURRENT : 2.5mm CONTACT: 23A (MAX).  
20# CONTACT: 5A (MAX).  
2.2, RATED VOLTAGE : 350V(AC/DC).  
2.3, OPERATING TEMPERATURE : SEE TABLE.  
2.4, DIELECTRIC WITHSTANDING VOLTAGE : LESS THAN 2 MILLIAMPS CURRENT LEAKAGE@2000 VOLTS AC. 2.5, INSULATION RESISTANCE : 5000 MEGOHMS MIN. 2.6, IP-CLASS : IP67 AND IP69K.  
2.7, MATING CYCLES DURABILITY : 500 CYCLES MIN. 2.8, RoHS COMPLIANT.
- SUITABLE CONTACTS : 2.5mm CONTACT.  
20# CONTACT.
- ALL DIMENSIONS ARE FOR REFERENCE USE ONLY.

KEY	PART NUMBER	
		-40°C ~ 105°C
N	RTS712N2S	RTS712N2S03

QUANTITY	PART NUMBER	DESCRIPTION	ITEM
<b>MATERIALS LIST</b>			
UNLESS OTHERWISE SPECIFIED		<b>Amphenol</b>	
1) All dimensions are in metric(mm).		Sine Systems - www.amphenol-sine.com	
2) PL DEC ±0.15		44724 Morley Drive	
3) PL DEC ±0.08		Clinton Township, MI 48036	
3) Note reference = $\triangle x$		ECO-MATE, RECEPTACLE, JAM NUT, 2POS, SOCKET CONTACT, SIZE 12	
MATERIAL SPECIFICATIONS:		CUSTOMER:	
PROCESS SPECIFICATIONS:		THIS DRAWING IS SUPPLIED FOR INFORMATION ONLY. DESIGN FEATURES, SPECIFICATIONS AND PERFORMANCE DATA SHOWN HEREON ARE THE PROPERTY OF THE AMPHENOL CORPORATION. NO RIGHTS OF REPRODUCTION ARE IMPLIED. ALL DIMENSIONS ARE SUBJECT TO NORMAL MANUFACTURING VARIATIONS.	
NEXT ASSY:		SCALE: NONE	
		SIZE: B C- DWG NO: RTS712*2Sxx REVISION: A3	
		SHEET 1 OF 1	

TITLE: ECO-MATE RECEPTACLE, JAM NUT, 2POS, SOCKET CONTACT, SIZE 12  
DWG NO: RTS712\*2Sxx  
REV: A3  
SH: 1  
OF: 1