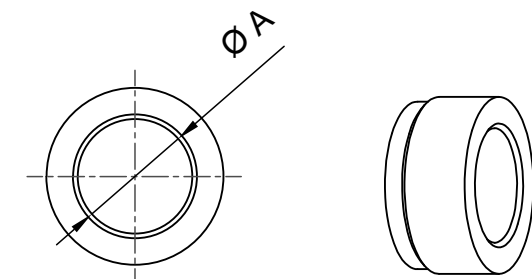
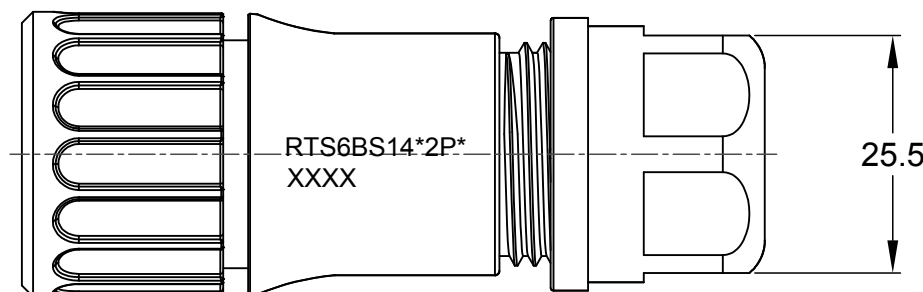
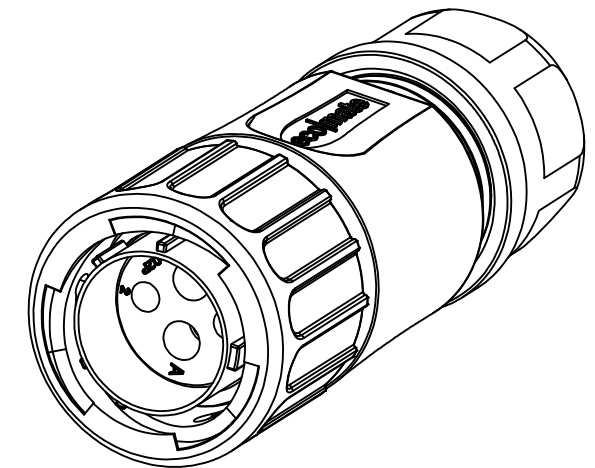
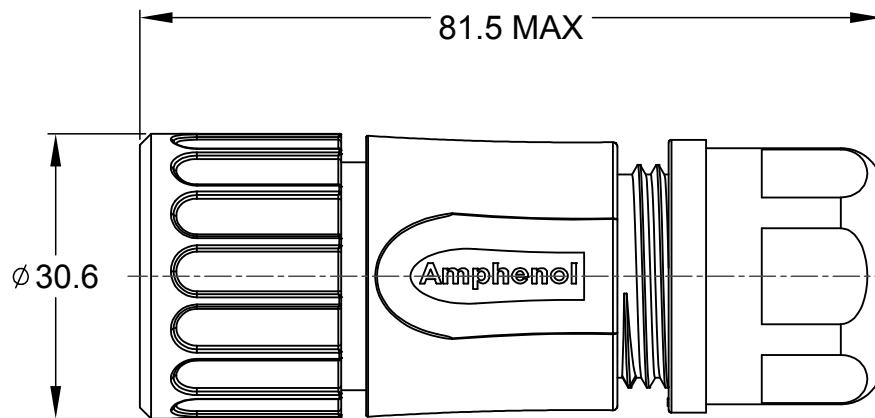
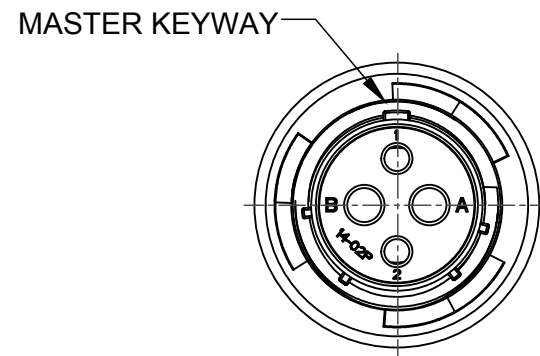


REVISIONS					
REV	ECO	DESCRIPTION	DATE	BY	APPR
A1	--	RELEASED DRAWING	AUG-09-16	JARRY	TOMMY
A2	--	UPDATE NOTES	Jun-22-2017	Nick	TOMMY
A3	--	UPDATE CABLE OD RANGE	Aug-24-2017	Nick	TOMMY



NOTES : (UNLESS OTHERWISE SPECIFIED)

- MATERIAL :
 SHELL : THERMOPLASTIC , UL94 V-0.
 INSERT : THERMOPLASTIC , UL94 V-0.
 COUPLING NUT : THERMOPLASTIC , UL94 V-0.
 O-RING : NBR OR SILICONE RUBBER.
 WASHER : SILICONE RUBBER.
 BACK SHELL : THERMOPLASTIC , UL94 V-0.
 CLAMP NUT : THERMOPLASTIC , UL94 V-0.
 CLAMP RING : THERMOPLASTIC , UL94 V-0.
 CABLE SEAL : EPDM.
- SPECIFICATIONS :
 2.1 RATED CURRENT : 2.5MM CONTACT@ 23A (MAX).
 16# CONTACT@ 13A (MAX). 2.2 RATED VOLTAGE :
 500V(AC/DC).
 2.3 OPERATING TEMPERATURE : SEE TABLE .
 2.4 DIELECTRIC WITHSTANDING VOLTAGE : LESS THAN
 2 MILLIAMPS CURRENT LEAKAGE@2000 VOLTS AC. 2.5
 INSULATION RESISTANCE : 5000 MEGOHMS MIN. 2.6 IP
 CLASS : IP67 AND IP69K.
 2.7 MATING CYCLES DURABILITY : 500 CYCLES MIN. 2.8
 RoHS COMPLIANT.
- SUITABLE CONTACTS : 2.5MM CONTACT
 16# CONTACT.
- ALL DIMENSIONS ARE FOR REFERENCE USE ONLY.

DIMENSION ØA	CABLE OD RANGE
12.3MM	7.0-12.0MM
14.3MM	9.0-14.0MM

KEY	PART NUMBER	
		-40°C ~ +105°C
N	RTS6BS14N2P	RTS6BS14N2P03

QUANTITY	PART NUMBER	DESCRIPTION	ITEM
MATERIALS LIST			
UNLESS OTHERWISE SPECIFIED		Amphenol	
1) All dimensions are in metric (mm).		Sine Systems - www.amphenol-sine.com	
2) PL DEC ±0.15 Angles ±1°		44724 Morley Drive	
3) Note reference = X		Clinton Township, MI 48036	
SIGNATURES		CUSTOMER:	
DRAWN: Nick		ECO-MATE, PLUG, BACK SHELL,	
CHECKED: Tod		SIZE 14,2+2POS,PIN	
ENGINEER:		DWG NO: RTS6BS14*2P*	
APPROVAL: Tommy		REVISION A3	
MATERIAL SPECIFICATIONS:		SCALE NONE	
PROCESS SPECIFICATIONS:		SHEET 1 OF 1	
NEXT ASSY:			

TITLE: ECO-MATE PLUG BACK SHELL SIZE 14,2+2POS,PIN
 DWG NO: RTS6BS14*2P*
 REV: A3
 SH: 1
 OF: 1