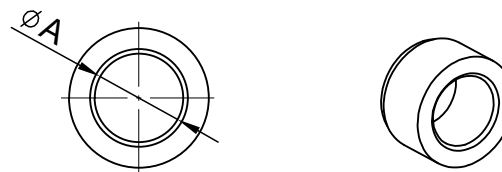
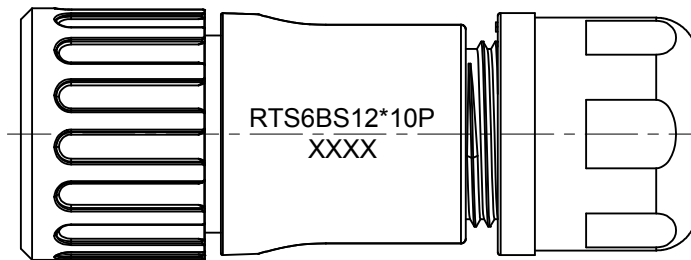
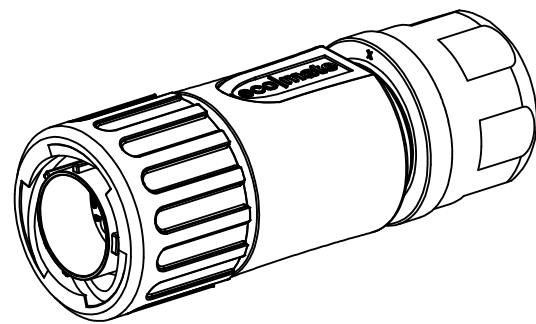
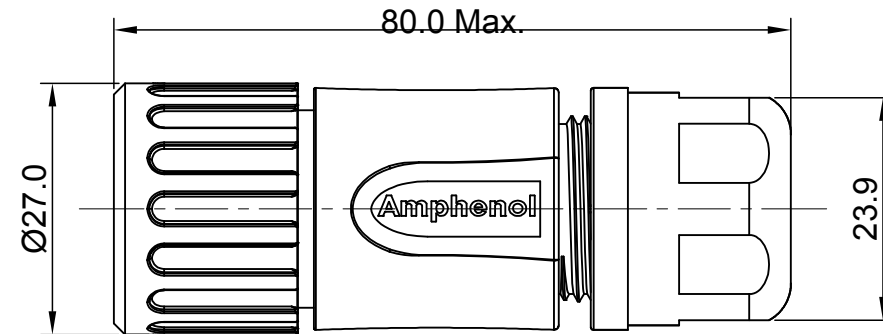
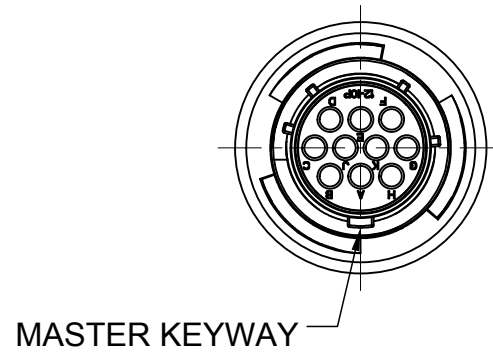


REVISIONS					
REV	ECO	DESCRIPTION	DATE	BY	APPR
A1	--	FIRST RELEASED	Aug-10-2016	Ben	Tommy
A2	--	UPDATE NOTES	Jun-21-2017	Nick	Tommy



NOTES : (UNLESS OTHERWISE SPECIFIED)

- MATERIAL :  
 SHELL : THERMOPLASTIC , UL94 V-0.  
 INSERT : THERMOPLASTIC , UL94 V-0.  
 COUPLING NUT : THERMOPLASTIC , UL94 V-0.  
 O-RING : NBR OR SILICONE RUBBER.  
 WASHER : SILICONE RUBBER.  
 BACK SHELL : THERMOPLASTIC , UL94 V-0.  
 CLAMP NUT : THERMOPLASTIC , UL94 V-0.  
 CLAMP RING : THERMOPLASTIC , UL94 V-0.  
 CABLE SEAL : EPDM.
- SPECIFICATIONS :  
 2.1, RATED CURRENT : 5A (MAX).  
 2.2, RATED VOLTAGE : 250V(AC/DC).  
 2.3, OPERATING TEMPERATURE : SEE TABLE.  
 2.4, DIELECTRIC WITHSTANDING VOLTAGE : LESS THAN 2 MILLIAMPS CURRENT LEAKAGE@2000 VOLTS AC. 2.5, INSULATION RESISTANCE : 5000 MEGOHMS MIN. 2.6, IP-CLASS : IP67 AND IP69K.  
 2.7, MATING CYCLES DURABILITY : 500 CYCLES MIN. 2.8, RoHS COMPLIANT.
- SUITABLE CONTACTS : 20# CONTACTS.
- ALL DIMENSIONS ARE FOR REFERENCE USE ONLY.

DIMENSION $\phi A$	CABLE OD RANGE
9.5 MM	6.0~9.0MM
12.2 MM	8.5~12.0MM

KEY	PART NUMBER	
		-40°C ~ +105°C
N	RTS6BS12N10P	RTS6BS12N10P03

QUANTITY	PART NUMBER	DESCRIPTION	ITEM
<b>MATERIALS LIST</b>			
UNLESS OTHERWISE SPECIFIED		<b>Amphenol</b>	
1) All dimensions are in metric (mm).		Sine Systems - www.amphenol-sine.com 44724 Morley Drive Clinton Township, MI 48036	
2) Tolerances as follows: 1) Dimensions $\pm 1/64$		ECO-MATE, PLUG, STRAIGHTER, 10POS, PIN CONTACT, SIZE 12	
2) PL DEC $\pm 0.15$ Angles $\pm 1^\circ$			
3) Note reference = $\Delta$			
MATERIAL SPECIFICATIONS:			
PROCESS SPECIFICATIONS:		CUSTOMER:	
NEXT ASSY:		THIS DRAWING IS SUPPLIED FOR INFORMATION ONLY. DESIGN FEATURES, SPECIFICATIONS AND PERFORMANCE DATA SHOWN HEREON ARE THE PROPERTY OF THE AMPHENOL CORPORATION. NO RIGHTS OF REPRODUCTION ARE IMPLIED. ALL DIMENSIONS ARE SUBJECT TO NORMAL MANUFACTURING VARIATIONS.	
		SIZE: <b>B</b>	REVISION: <b>A2</b>
		TYPE: <b>C-</b>	DWG NO: <b>RTS6BS12*10Pxx</b>
		SCALE: <b>NONE</b>	SHEET <b>1</b> OF <b>1</b>

TITLE: ECO-MATE, PLUG, STRAIGHTER, 10POS, PIN CONTACT, SIZE 12  
 DWG NO: RTS6BS12\*10Pxx  
 REV: A2  
 SH: 1  
 OF: 1