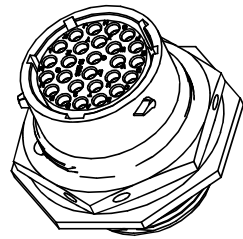
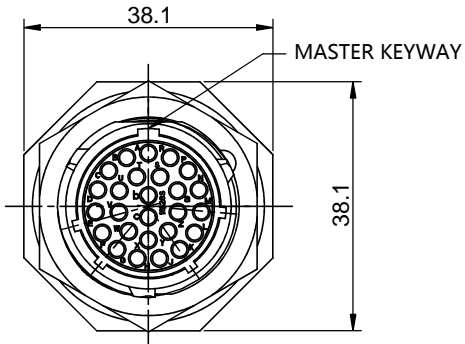
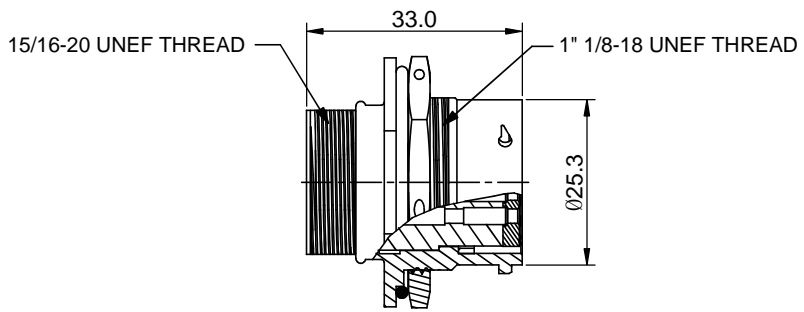
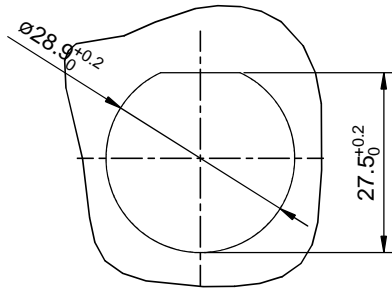


REVISIONS					
REV	ECO	DESCRIPTION	DATE	BY	APPR
B1	-	RELEASED DRAWING	JUN-19-2014	BEN	TOMMY



**NOTES : (UNLESS OTHERWISE SPECIFIED)**

1. MATERIAL :
  - SHELL : ZINC ALLOY , NICKEL PLATED.
  - JAM NUT : AL ALLOY , NICKEL PLATED.
  - INSERT : THERMOPLASTIC , UL94 V-0/CR.
  - O-RING : NBR.
  - SEAL GASKET : NBR.
2. SPECIFICATIONS :
  - 2.1 RATED CURRENT :
    - 2.1.1 STAMPED CONTACT : 5A (MAX).
    - 2.1.2 MACHINED CONTACT : 7.5A (MAX).
  - 2.2 RATED VOLTAGE : 150V ( AC/DC ).
  - 2.3 OPERATING TEMPERATURE : -40°C ~ +105°C.
  - 2.4 DIELECTRIC WITHSTANDING VOLTAGE : LESS THAN 2 MILLIAMPS CURRENT LEAKAGE@1500 VOLTS AC.
  - 2.5 INSULATION RESISTANCE : 5000 MEGOHMS MIN.
  - 2.6 IP--CLASS : IP67.
  - 2.7 MATING CYCLES DURABILITY : 500 CYCLES MIN.
3. SUITABLE CONTACTS : 20# CONTACTS.
4. ROHS COMPLIANT.
5. ALL DIMENSIONS ARE FOR REFERENCE USE ONLY.



PANEL CUT OUT REFERENCE

KEY POS	PART NUMBER
N	RT0W71626SNH
W	RT0W71626SWH
X	RT0W71626SXH
Y	RT0W71626SYH
Z	RT0W71626SZH

QUANTITY	SEE PART NUMBER CHART	DESCRIPTION	ITEM
<b>MATERIALS LIST</b>			
<small>UNLESS OTHERWISE SPECIFIED</small> 1) All dimensions are in metric(mm). 2) Tolerances are as follows: 1 PL DEC ±0.30   Fractions ±1/64 2 PL DEC ±0.15   Angles ±1° 3 PL DEC ±0.08 3) Note reference =		SIGNATURES: BEN DATE: JUN-19-2014 CHECKED: ENGINEER: APPROVAL:	<div style="text-align: center;"> <h2>Amphenol</h2> <p>Sine Systems - www.amphenol-sine.com            44724 Morley Drive            Clinton Township, MI 48036</p> </div>
<small>MATERIAL SPECIFICATIONS:</small> THIS DRAWING IS SUPPLIED FOR INFORMATION ONLY. DESIGN FEATURES, SPECIFICATIONS AND PERFORMANCE DATA SHOWN HEREON ARE THE PROPERTY OF THE AMPHENOL CORPORATION. NO RIGHTS OF REPRODUCTION ARE IMPLIED. ALL DIMENSIONS ARE SUBJECT TO NORMAL MANUFACTURING VARIATIONS.		<small>CUSTOMER:</small> ECO-MATE, RECEPTACLE, JAM NUT, SIZE 16, 26POS, SOCKET.	<small>SIZE</small> B <small>TYPE</small> C- <small>DWG NO.</small> RT0W71626S*H <small>REVISION</small> B1
<small>PROCESS SPECIFICATIONS:</small>		<small>SCALE</small> NONE	<small>SHEET</small> 1 <small>OF</small> 1
<small>NEXT ASSY:</small>			

TITLE: ECO-MATE RECEPTACLE JAM NUT SIZE 16, 26POS SOCKET  
 DWG NO.: RT0W71626S\*H  
 REV: B1  
 SH: 1  
 OF: 1