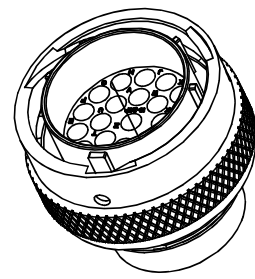
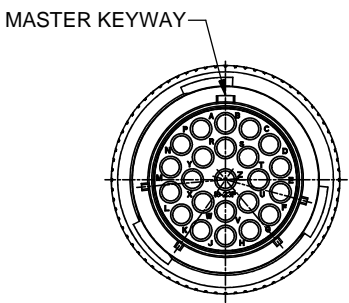
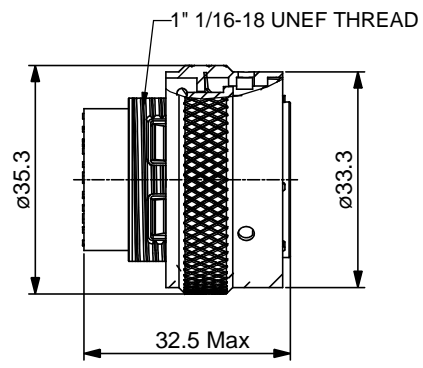


| REVISIONS | | | | | |
|-----------|-----|------------------|-------------|-----|-------|
| REV | ECO | DESCRIPTION | DATE | BY | APPR |
| B1 | - | RELEASED DRAWING | JUN-28-2014 | BEN | TOMMY |



- NOTES : (UNLESS OTHERWISE SPECIFIED)**
- MATERIAL :**
 SHELL : ZINC ALLOY , NICKEL PLATED.
 INSERT : THERMOPLASTIC , UL94 V-0.
 COUPLING NUT : AL ALLOY , NICKEL PLATED.
 WAVE WASHER : STAINLESS STEEL.
 O-RING : NBR.
 - SPECIFICATIONS :**
 2.1 RATED CURRENT : 13A (MAX).
 2.2 RATED VOLTAGE : 300V (AC/DC) .
 2.3 OPERATING TEMPERATURE : -40°C ~ +105°C.
 2.4 DIELECTRIC WITHSTANDING VOLTAGE : LESS THAN
 2 MILLIAMPS CURRENT LEAKAGE@2000 VOLTS AC.
 2.5 INSULATION RESISTANCE : 5000 MEGOHMS MIN.
 2.6 IP-CLASS : IP67.
 2.7 MATING CYCLES DURABILITY : 500 CYCLES MIN.
 2.8 ROHS COMPLIANT.
 - SUITABLE CONTACTS : 16# CONTACTS.**
 - ALL DIMENSIONS ARE FOR REFERENCE USE ONLY.**

| KEY POS | PART NUMBER |
|---------|-------------|
| N | RT061823PNH |
| W | RT061823PWH |
| X | RT061823PXH |
| Y | RT061823PYH |
| Z | RT061823PZH |

| QUANTITY | SEE PART NUMBER CHART | DESCRIPTION | ITEM |
|--|-----------------------|--|--|
| MATERIALS LIST | | | |
| <small>UNLESS OTHERWISE SPECIFIED</small> 1) All dimensions are in metric(mm). 2) Tolerances are as follows: 1 PL DEC ±0.30 Fractions ±1/64 2 PL DEC ±0.15 Angles ±1° 3 PL DEC ±0.08 3) Note reference = | | SIGNATURES DRAWN: BEN CHECKED: ENGINEER: APPROVAL: | DATE JUN-28-2014 |
| <small>MATERIAL SPECIFICATIONS:</small> CUSTOMER: | | Sine Systems - www.amphenol-sine.com 44724 Morley Drive Clinton Township, MI 48036 | |
| <small>PROCESS SPECIFICATIONS:</small> THIS DRAWING IS SUPPLIED FOR INFORMATION ONLY. DESIGN FEATURES, SPECIFICATIONS AND PERFORMANCE DATA SHOWN HEREON ARE THE PROPERTY OF THE AMPHENOL CORPORATION. NO RIGHTS OF REPRODUCTION ARE IMPLIED. ALL DIMENSIONS ARE SUBJECT TO NORMAL MANUFACTURING VARIATIONS. | | <small>SIZE</small> B C- | <small>DWG NO.</small> RT061823P*H |
| <small>NEXT ASSY:</small> | | <small>SCALE</small> NONE | <small>REVISION</small> B1 |
| | | | <small>SHEET</small> 1 <small>OF</small> 1 |

TITLE: ECO-MATE,PLUG,SIZE 18,23POS,SOCKET
 DWG NO.: RT061823P*H
 REV: B1
 SH: 1
 OF: 1