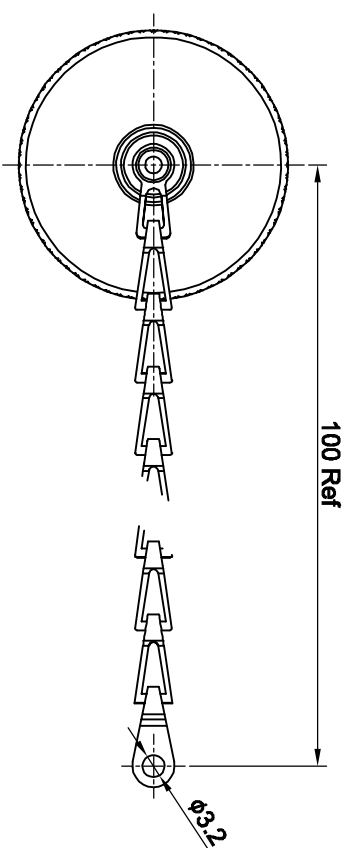
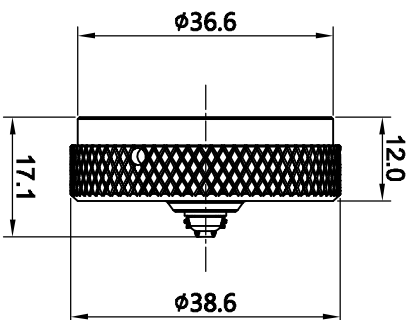


REVISIONS					
REV	ECO	DESCRIPTION	DATE	BY	APPR
B1	-	RELEASED DRAWING	JUN-23-2014	Ben	Tommy
B2	-	Modify rubber material	May-13-2016	Ben	Tommy



RT020DC X X
① ②

P/N	①	②	CHAIN	PLATING
RT020DC	---	---	NO CHAIN	NICKEL PLTING
RT020DCA	---	A	NO CHAIN	BLACK ANODIZING
RT020DCG	G	---	CHAIN	NICKEL PLTING
RT020DCGA	G	A	CHAIN	BLACK ANODIZING

- NOTES : (UNLESS OTHERWISE SPECIFIED)
- MATERIAL :
RIVET : COPPER ALLOY,NICKEL PLATING
CHAIN : STAINLESS STEEL
DUST CAP : AL ALLOY , NICKEL PLATED.
GASKET : EPDM.
 - SPECIFICATIONS :
2.1 OPERATING TEMPERATURE : -40°C ~ +105°C.
2.2 IP--CLASS : IP67.
2.3 MATING CYCLES DURABILITY : 500 CYCLES MIN.
2.4 ROHS COMPLIANT.
 - ALL DIMENSIONS ARE FOR REFERENCE USE ONLY.

QUANTITY	SEE PART NUMBER CHART	PART NUMBER	DESCRIPTION	ITEL
MATERIALS LIST				
UNLESS OTHERWISE SPECIFIED				
1) All dimensions are in millimeters.				
2) Tolerances are as follows:				
1st DEC 20.00 Fractions of 1/16				
2nd DEC 20.00 Fractions of 1/32				
3rd DEC 20.00 Fractions of 1/64				
3) Hole reference =				
MATERIAL SPECIFICATIONS:				
PROCESS SPECIFICATIONS:				
MFG PART:				
SIGNATURES		DATE	ECO-MATE DUSTCAP FOR RECEPTACLES, SIZE 20.	
DRAWN: Ben	14/12/16	Sine Systems - www.amphenol-sine.com		
CHECKED:		44724 Morley Drive		
ENGINEER:		Clinton Township, MI 48036		
APPROVAL:				
CUSTOMER:				
THIS DRAWING IS SUPPLIED FOR INFORMATIONAL PURPOSES ONLY. SPECIFICATIONS AND PERFORMANCE DATA SHOWN HEREIN ARE THE PROPERTY OF AMPHENOL CORPORATION. NO PARTS OR DIMENSIONS ARE SUBJECT TO INVOICES. MANUFACTURING VARIATIONS.		SIZE TYPE	DWG NO:	REVISION
SCALE: NONE		B C-	RT020DCxx	B2
			SHEET 1	OF 1

TITLE: ECO-MATE DUSTCAP FOR RECEPTACLES SIZE 20

DWG NO: RT020DCxx

REV: B2

SH: 1

9/3