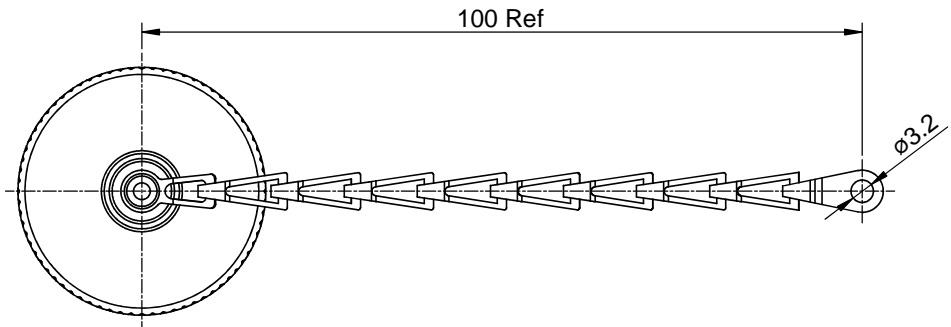
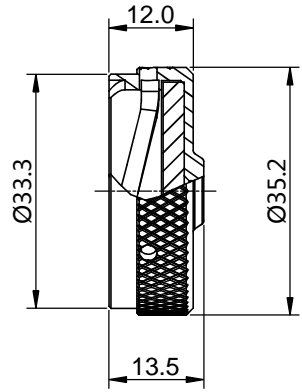


REVISIONS					
REV	ECO	DESCRIPTION	DATE	BY	APPR
B1	-	RELEASED DRAWING	JUN-23-2014	BEN	TOMMY



RT018DC X X  
① ②

P/N	①	②	CHAIN	PLATING
RT018DC	---	---	NO CHAIN	NICKEL PLTING
RT018DCA	---	A	NO CHAIN	BLACK ANODIZING
RT018DCG	G	---	CHAIN	NICKEL PLTING
RT018DCGA	G	A	CHAIN	BLACK ANODIZING

**NOTES : (UNLESS OTHERWISE SPECIFIED)**

1. MATERIAL :  
 RIVET : COPPER ALLOY,NICKEL PLATING  
 CHAIN : STAINLESS STEEL.  
 DUST CAP : AL ALLOY , NICKEL PLATED.  
 O-RING : NBR.
2. SPECIFICATIONS :  
 2.1 OPERATING TEMPERATURE : -40°C ~ +105°C.  
 2.2 IP--CLASS : IP67.  
 2.3 MATING CYCLES DURABILITY : 500 CYCLES MIN.  
 2.4 ROHS COMPLIANT.
3. ALL DIMENSIONS ARE FOR REFERENCE USE ONLY.

SEE PART NUMBER CHART		DESCRIPTION		ITEM
QUANTITY	PART NUMBER			
<b>MATERIALS LIST</b>				
UNLESS OTHERWISE SPECIFIED 1) All dimensions are in metric(mm). 2) Tolerances are as follows: 1 PL DEC ±0.30   Fractions ±1/64 2 PL DEC ±0.15   Angles ±1° 3 PL DEC ±0.08 3) Note reference =		SIGNATURES		DATE
DRAWN: BEN		JUN-23-2014		
CHECKED:				
ENGINEER:				
APPROVAL:				
MATERIAL SPECIFICATIONS:		CUSTOMER:		
PROCESS SPECIFICATIONS:		THIS DRAWING IS SUPPLIED FOR INFORMATION ONLY. DESIGN FEATURES, SPECIFICATIONS AND PERFORMANCE DATA SHOWN HEREON ARE THE PROPERTY OF THE AMPHENOL CORPORATION. NO RIGHTS OF REPRODUCTION ARE IMPLIED. ALL DIMENSIONS ARE SUBJECT TO NORMAL MANUFACTURING VARIATIONS.		
NEXT ASSY:		SIZE	TYPE	DWG NO.
		B	C-	RT018DCxx
		SCALE: NONE		REVISION B1
				SHEET 1 OF 1

TITLE: ECO-MATE,DUSTCAP FOR RECEPTACLES SIZE 18  
DWG NO.: RT018DCXX  
REV: B1  
SH: 1  
OF: 1