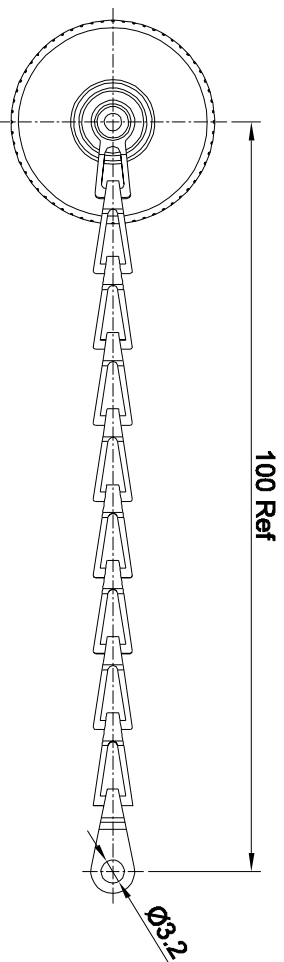
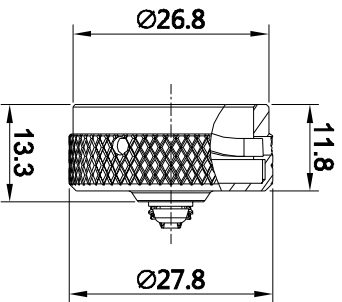


REVISIONS				
REV	ECO	DESCRIPTION	DATE	BY APPR
B1	-	RELEASED DRAWING	JUN-23-2014	BEN TOMMY



RT014DC X X
① ②

P/N	①	②	CHAIN	PLATING
RT014DC	---	---	NO CHAIN	NICKEL PLTING
RT014DCA	---	A	NO CHAIN	BLACK ANODIZING
RT014DCG	G	---	CHAIN	NICKEL PLTING
RT014DCGA	G	A	CHAIN	BLACK ANODIZING

- NOTES : (UNLESS OTHERWISE SPECIFIED)
- MATERIAL :
RIVET : COPPER ALLOY,NICKEL PLATING
CHAIN : STAINLESS STEEL
DUST CAP : AL ALLOY , NICKEL PLATED.
GASKET : EPDM.
 - SPECIFICATIONS :
2.1 OPERATING TEMPERATURE : -40°C ~ +105°C.
2.2 IP--CLASS : IP67.
2.3 MATTING CYCLES DURABILITY : 500 CYCLES MIN.
2.4 ROHS COMPLIANT.
 - ALL DIMENSIONS ARE FOR REFERENCE USE ONLY.

QUANTITY	SEE PART NUMBER CHART	PART NUMBER	DESCRIPTION	ITER
MATERIALS LIST				
UNLESS OTHERWISE SPECIFIED		SIGNATURES	DATE	
1) All dimensions are in millimeters.		DRAWN: BEN	JUN23/14	
2) Tolerances are as follows:		CHECKED:		
1 P1, DEC 20 08		ENGINEER:		
3 P1, DEC 20 08		APPROVAL:		
3) Note reference =		CUSTOMER:		
MATERIAL SPECIFICATIONS:		THIS DRAWING IS SUPPLIED FOR SPECIFICATIONS AND PERFORMANCE DATA. THE DRAWING IS NOT TO BE USED FOR REPRODUCTION AND ALL RIGHTS OF REPRODUCTION ARE RESERVED. ALL MANUFACTURING VARIATION.		
PROCESS SPECIFICATIONS:		ECO-MATE DUSTCAP FOR RECEPTACLE SIZE 14		
NEXT ASST:		SCALE: NONE	SIZE: B	DWG NO: RT014DCX
				REVISION: B1
				SHEET 1 OF 1

Amphenol
Sine Systems - www.amphenol-sine.com
44724 Morley Drive
Clinton Township, MI 48038