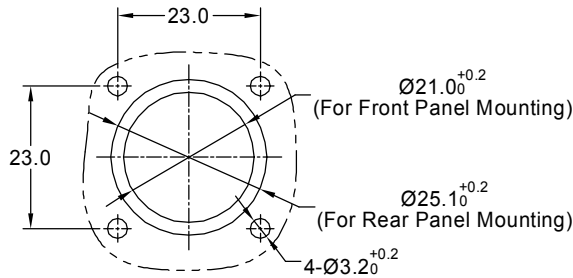
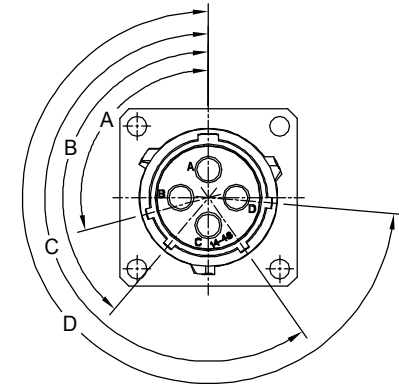
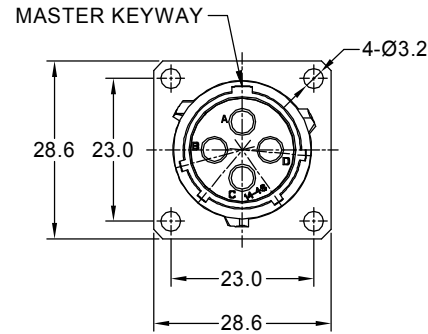
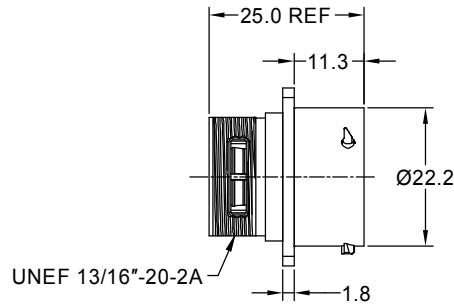


REVISIONS					
REV	ECO	DESCRIPTION	DATE	BY	APPR
B1	-	RELEASED DRAWING	JULY-03-2014	BEN	TOMMY
B2	-	VOLTAGE UPDATE AND ADD KEY ICON	Dec-25-2020	Ronald	Tommy

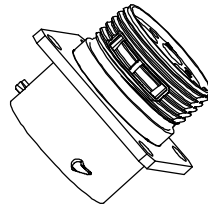


PANEL CUT OUT REFERENCE

KEY POS	PART NUMBER		A	B	C	D
	-40°C ~ 105°C	-40°C ~ 125°C				
N	RT00144SNH	RT00144SNH03	105'	140'	215'	265'
W	RT00144SWH	RT00144SWH03	60'	140'	215'	265'
X	RT00144SXH	RT00144SXH03	105'	160'	215'	265'
Y	RT00144SYH	RT00144SYH03	105'	140'	225'	265'
Z	RT00144SZH	RT00144SZH03	105'	140'	215'	295'

NOTES : (UNLESS OTHERWISE SPECIFIED)

- MATERIAL :  
SHELL : ZINC ALLOY , NICKEL PLATED.  
INSERT : THERMOPLASTIC , UL94 V-0.  
SEAL GASKET : NBR/SILICONE RUBBER.  
O-RING : NBR/SILICONE RUBBER.
- SPECIFICATIONS :  
2.1 RATED CURRENT : 23A (MAX).  
2.2 RATED VOLTAGE : 500V ( AC/DC ) ,  
2.3 OPERATING TEMPERATURE : SEE CHART.  
2.4 DIELECTRIC WITHSTANDING VOLTAGE : LESS THAN 2 MILLIAMPS CURRENT LEAKAGE@2000 VOLTS AC.  
2.5 INSULATION RESISTANCE : 5000 MEGOHMS MIN.  
2.6 IP--CLASS : IP67 (MATED CONDITION).  
2.7 MATING CYCLES DURABILITY : 500 CYCLES MIN.  
2.8 ROHS COMPLIANT.
- SUITABLE CONTACTS : 2.5mm CONTACTS.
- ALL DIMENSIONS ARE FOR REFERENCE USE ONLY.



QUANTITY	SEE PART NUMBER CHART	DESCRIPTION	ITEM
<b>MATERIALS LIST</b>			
<b>UNLESS OTHERWISE SPECIFIED</b> 1) All dimensions are in metric(mm). 2) Tolerances are as follows: 1 PL DEC ±0.30 Fractions ±1/64 2 PL DEC ±0.15 Angles ±1° 3 PL DEC ±0.08 3) Note reference =		<b>SIGNATURES</b> <b>DATE</b> DRAWN: <b>Ronald</b> <b>Dec-25-2020</b> CHECKED: <b>Ron</b> <b>Dec-26-2020</b> ENGINEER: APPROVAL: <b>Tommy</b> <b>Dec-26-2020</b> CUSTOMER:	 Sine Systems - www.amphenol-sine.com 44724 Morley Drive Clinton Township, MI 48036
MATERIAL SPECIFICATIONS: PROCESS SPECIFICATIONS: NEXT ASSY:		THIS DRAWING IS SUPPLIED FOR INFORMATION ONLY. DESIGN FEATURES, SPECIFICATIONS AND PERFORMANCE DATA SHOWN HEREON ARE THE PROPERTY OF THE AMPHENOL CORPORATION. NO RIGHTS OF REPRODUCTION ARE IMPLIED. ALL DIMENSIONS ARE SUBJECT TO NORMAL MANUFACTURING VARIATIONS.	ECOMATE RM, RECEPTACLE, SIZE 14, 4POS, SOCKET. <b>SIZE</b> TYPE DWG NO: <b>RT00144S*Hx</b> <b>REVISION</b> <b>B2</b> SCALE NONE SHEET 1 OF 1

TITLE: ECOMATE RM, RECEPTACLE, SIZE 14, 4POS, SOCKET. DWG NO: RT00144S\*Hx REV: B2 SH: 1 OF: 1