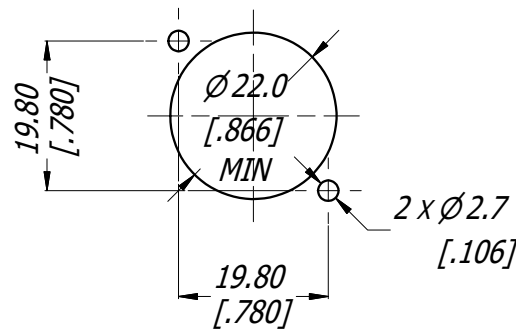


PCB LAYOUT
2:1
(CONNECTOR TOP VIEW)

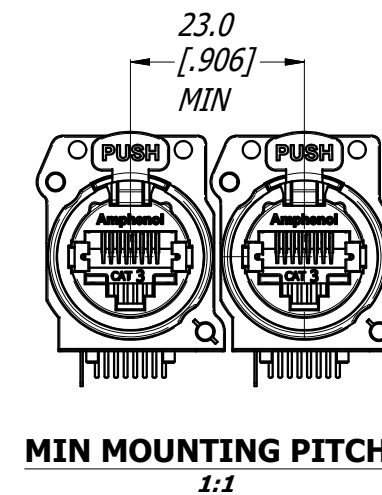
PSE PINOUT ALTERNATIVES

CONDUCTOR	Alternative-A (MDI-X)	Alternative-A (MDI)	Alternative-A (AII)
1	Negative V _{PSE}	Positive V _{PSE}	
2	Negative V _{PSE}	Positive V _{PSE}	
3	Positive V _{PSE}	Negative V _{PSE}	
4			Positive V _{PSE}
5			Positive V _{PSE}
6	Positive V _{PSE}	Negative V _{PSE}	
7			Negative V _{PSE}
8			Negative V _{PSE}

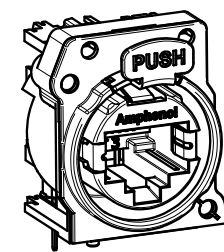
- RJ45 CONTACTS
- RJ45 SHELL GROUND CONTACT
- CONNECTOR LOCATION PINS



PANEL CUT OUT
1:1
(CONNECTOR FRONT VIEW)



MIN MOUNTING PITCH
1:1



3D VIEW
1:1

TABLE OF PART NUMBERS

PART No.	TRANSMISSION CLASS	FRONT SHELL MATERIAL
RJX8FA3HB	CLASS D	PLASTIC BLACK
RJX8FB3HB	CLASS D	METAL NICKEL PLATED
RJX8FA5HB	CAT5e	PLASTIC BLACK
RJX8FB5HB	CAT5e	METAL NICKEL PLATED
RJX8FA6HB	CAT6	PLASTIC BLACK
RJX8FB6HB	CAT6	METAL NICKEL PLATED

SPECIFICATIONS:

1. MATERIALS:

- PLASTIC INSERT & HOUSING: HIGH TEMPERATURE THERMOPLASTIC FLAMMABILITY RATING UL94V-0 DSM STANYL, 30% BLACK

- FRONT SHELL: METAL: ZINC ALLOY ZAMAK 3, NICKEL PLATE (B TYPE) OR PLASTIC (A TYPE).

- CONTACTS: PHOSPHORE BRONZE, 1.27 µm GOLD PLATE ON MATING SURFACES, 1.27 µm NICKEL MIN UNDERPLATE. 3.81 µm MIN MATTE TIN ON CONTACT TAILS.

- LATCH LOCK AND SPRING: SPRING STEEL, NICKEL PLATE.

2. ELECTRICAL CHARACTERISTICS:

- RATED VOLTAGE: 125 VAC

- TYPICAL CONTACT RESISTANCE: 20 mOhm

- INSULATION RESISTANCE: >500 MOhm

- DIELECTRIC STRENGTH: 1000 VAC, 60 SECONDS

- TRANSMISSION SPECIFICATION/CLASS: COMPLIED TO CLASS D PER TIA/EIA-568B OR CAT5e & CAT6 PER TIA/EIA-568-C.2

- PoE+ COMPLIES WITH 802.3at Type 2 (SEE PSE PINOUT ALTERNATIVE TABLE)

UNLESS OTHERWISE SPECIFIED TOLERANCE TO BE

LINEAR	ANGULAR
X ±0.5	X' ±1
X.X ±0.1	X.X' ±30'
X.X ±0.05	X.X.X' ±15'

BREAK ALL SHARP EDGES AND REMOVE ALL BURRS

DO NOT SCALE

DIMENSIONS IN MILLIMETRES

THIS DOCUMENT IS THE PROPERTY OF AMPHENOL AUSTRALIA PTY. LTD. NO PART THEREOF MAY BE REPRODUCED AND USED WITHOUT THE PRIOR WRITTEN CONSENT OF THE OWNER.

MATERIAL: **REFER SPECIFICATION**

FINISH:

DRN: T.N DATE: 08/10/12

CKD: P.M DATE: 08/10/12

APP'D: P.M DATE: 08/10/12

SCALE: **3:2** SIZE: **A3**



Amphenol

Amphenol Australia Pty.Ltd,
20 Industry Blvd, Carrum Downs
VIC 3201 Australia

TITLE:
XLRnet CONNECTOR
RJ45 HORIZONTAL
WITHOUT LED & EMI SHIELD

PART No:
REFER TO TABLE OF PART NUMBERS
DRAWING No.
55010837-000

REV
2
SHEET
1/1