

1

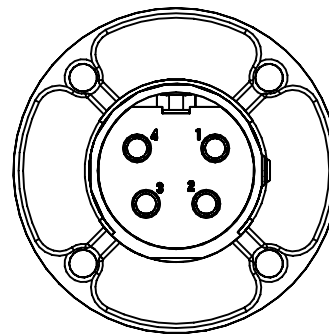
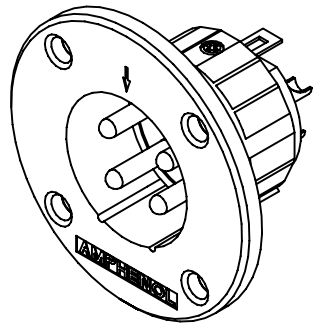
2

3

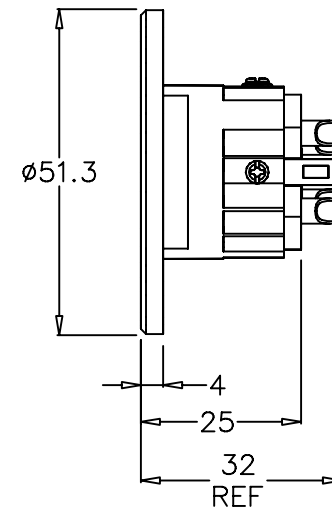
4

5

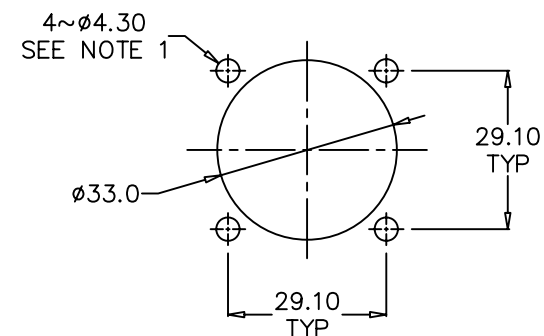
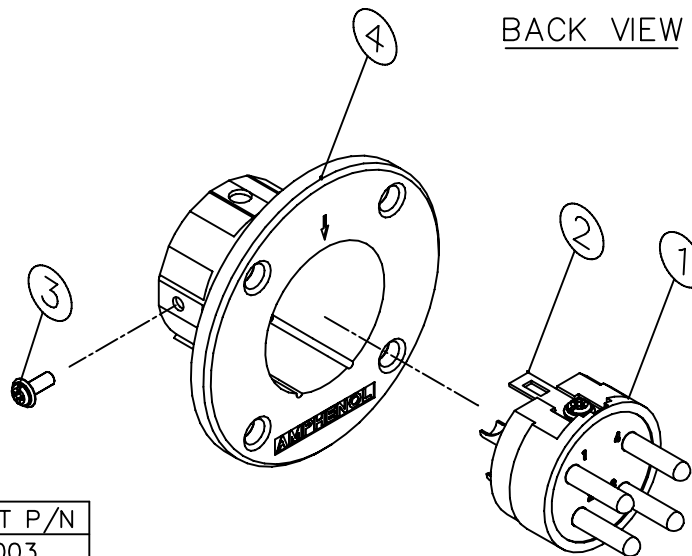
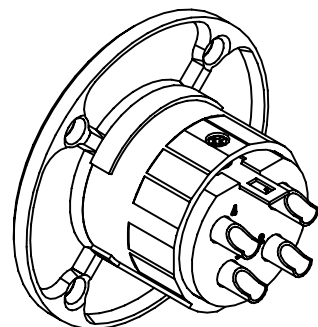
6



BACK VIEW



TOP VIEW



PANEL CUT OUT

| EP-* - 14 TYPE | EP/AP INSERT P/N |
|----------------|------------------|
| EP - 3 - 14 | 156-4402-003 |
| EP - 4 - 14 | 156-4402-004 |
| EP - 5 - 14 | 156-4402-005 |
| EP - 6 - 14 | 156-4402-006 |
| EP - 8 - 14 | 156-4402-008 |

NOTE: 1. THE DIAMETER OF THE 4 MOUNTING HOLES ON THE PANEL CUT OUT DEPENDS ON THE SIZE OF THE SCREW TO BE USED
2. FOR EXAMPLE: FOR AN EP-4-14 USE ASSY No. 128037-0004

| | | | | |
|------|--|--------|----------|--------|
| 2 | OMIT PART NUMBER EP - 2 - 14 PRODUCT OBSOLETE | M.N.H. | 19-11-08 | 8784 |
| 1 | UPDATE TO AMPHENOL TITLE BLOCK & LOGO REDRAW, ADD BOM & PANEL CUT OUT | M.N.H. | 12-04-01 | 7784 |
| 0 | FIRST ISSUE | D.v.E. | 15-04-94 | ---- |
| REV. | CHANGE DETAILS | BY | DATE | CHG/No |

| ITEM | PART No. | DWG No. | DESCRIPTION | QTY | UNLESS OTHERWISE SPECIFIED TOLERANCE TO BE | THIS DOCUMENT IS THE PROPERTY OF AMPHENOL AUSTRALIA PTY. LTD. NO PART THEREOF MAY BE REPRODUCED AND USED WITHOUT THE PRIOR WRITTEN CONSENT OF THE OWNER | CAD FILE: 00806102 | DRN: C.J.W. | DATE: 15-04-94 | TITLE: EP-* - 14 CUSTOMER DRAWING | Amphenol | Amphenol Australia Pty Ltd, 2 Fireweys Blvd, Keysborough, Vic3173 | DRAWING NO. 126037-000* | SHEET 1 OF 1 |
|---------------------------|--------------|--------------|------------------------------|-----|---|---|--------------------|-------------|--------------------|-----------------------------------|----------|---|-------------------------|--------------|
| 4 | 248-4099-0** | 248-4099-0** | EP-* - 14 SHELL | 1 | LINEAR: X ± 0.50 X.X ± 0.25 X.XX ± 0.10 | ANGULAR: X' ± 1° X'X' ± 30' X'X'X' ± 15' | | | | | | | | |
| 3 | 990-4500-000 | 990-4500-000 | 2-32 PAN WASHER FACE SCREW | 2 | DO NOT SCALE | | | | | | | | | |
| 2 | 357-4400-000 | 357-4400-000 | EP RETAINER | 1 | BREAK ALL SHARP EDGES AND REMOVE ALL BURRS | | | | | | | | | |
| 1 | SEE TABLE | SEE TABLE | EP/AP PIN INSULATOR ASSEMBLY | 1 | FINISH: REFER TO COMPONENT | | | | | | | | | |
| DIMENSIONS IN MILLIMETRES | | | | | THIRD ANGLE PROJECTION | | SCALE: 2:1 UOS | | PART No: SEE TABLE | | SIZE: A3 | | 126037-000* 1 OF 1 | |

1

2

3

4

5

6