

LEGEND  = KEY PRODUCT CHARACTERISTICS

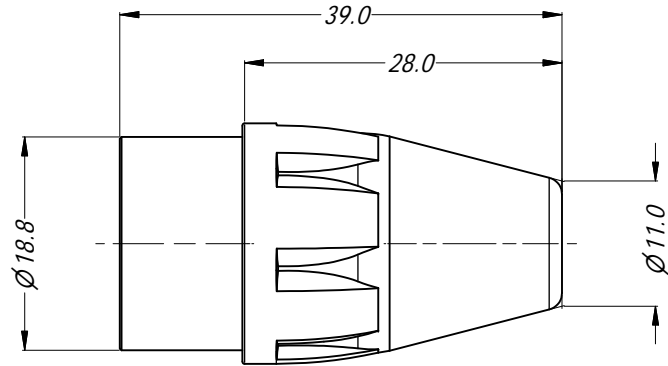
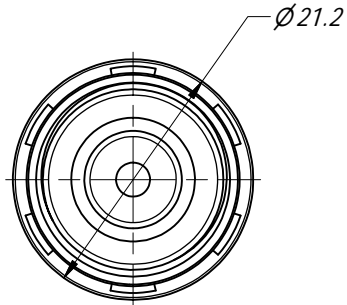
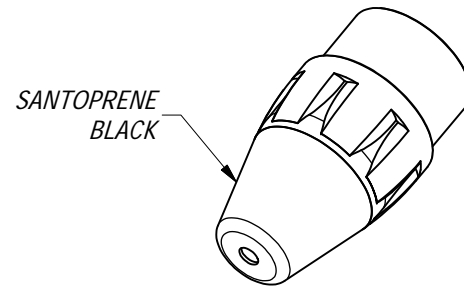


TABLE OF PART NUMBERS

<i>AX-BOOT-1</i>	<i>BROWN</i>
<i>AX-BOOT-2</i>	<i>RED</i>
<i>AX-BOOT-3</i>	<i>ORANGE</i>
<i>AX-BOOT-4</i>	<i>YELLOW</i>
<i>AX-BOOT-5</i>	<i>GREEN</i>
<i>AX-BOOT-6</i>	<i>BLUE</i>
<i>AX-BOOT-7</i>	<i>VIOLET</i>
<i>AX-BOOT-8</i>	<i>GREY</i>
<i>AX-BOOT-9</i>	<i>WHITE</i>
<i>AX-BOOT</i>	<i>BLACK</i>



3D VIEW (1 : 1)

UNLESS OTHERWISE SPECIFIED TOLERANCE TO BE		THIS DOCUMENT IS THE PROPERTY OF AMPHENOL AUSTRALIA PTY. LTD. NO PART THEREOF MAY BE REPRODUCED AND USED WITHOUT THE PRIOR WRITTEN CONSENT OF THE OWNER.				Amphenol Amphenol Australia Pty.Ltd, 22 Industry Blvd Carrum Downs, VIC 3201	
LINEAR	ANGULAR	MATERIAL:	DRN:	T.N	DATE:	18/08/15	TITLE:
X ± 0.5	X' ± 1	NORYL & SANTOPRENE	CKD:		DATE:	18/08/15	BOOT AX SERIES
X.X ± 0.1	X.X' ± 30'		APP'D:	P.M	DATE:	18/08/15	
X.XX ± 0.05	X.XX' ± 15'	FINISH:	SCALE:	3:2	SIZE:	A4	PART No:
BREAK ALL SHARP EDGES AND REMOVE ALL BURRS		DIMENSIONS IN MILLIMETRES		THIRD ANGLE PROJECTION		DRAWING No.	
						50440036-530	
						REV	
						3	
						SHEET	
						/	