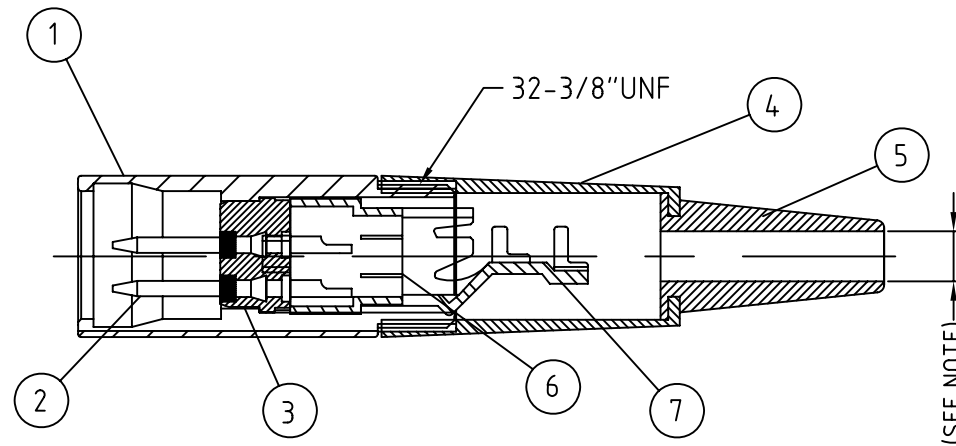


No. CONTACT	PART No.	CABLE ENTRY (mm)
3 POLE	AG3M	3.5 DIAM GROMMET
4 POLE	AG4M	3.5 DIAM GROMMET
5 POLE	AG5M	5 DIAM GROMMET
6 POLE	AG6M	5 DIAM GROMMET



A-A SECTION

NOTE: SEE TABLE FOR STANDARD CABLE ENTRY. CONTACT FACTORY FOR ALTERNATIVE

ITEM	MATERIAL	MATERIAL	ITEM
1	SHELL	BRASS-NICKEL PLATED	1
2	CONTACT	BRASS-GOLD PLATED	VARY
3	INSULATOR	PPS-BLACK	1
4	NUT	ABS-BLACK	1
5	GROMMET	PVC-BLACK	1
6	ADAPTOR	PPS-BLACK	1
7	CABLE CLAMP	BRASS-NICKEL PLATED	1

UNLESS OTHERWISE SPECIFIED TOLERANCE TO BE		THIS DOCUMENT IS THE PROPERTY OF AMPHENOL AUSTRALIA PTY. LTD.. NO PART THEREOF MAY BE REPRODUCED AND USED WITHOUT THE PRIOR WRITTEN CONSENT OF THE OWNER				1	CHANGE PART NUMBER FROM ENGINEERING 55010543-000 TO CATALOGUE AG3M	M.H	19-01-09	----
LINEAR	ANGULAR	CAD FILE: 550105430001101		DRN:	M.N.H	DATE:	15-06-07	TITLE: MINI XLR LINE MALE CUSTOMER DRAWING		
X ± 0.5	X° ± 1°	MATERIAL: SEE NOTES		CKD:	M.H.	DATE:	19-01-09	Amphenol		
X,X ± 0.1	X°X° ± 30°	FINISH: SEE NOTES		APP'D:	M.H.	DATE:	19-01-09	Amphenol Australia Pty.Ltd, 2 Freeways Blvd, Keysborough, Vic.3173		
X,X ± 0.05	X°X° ± 15°	DO NOT SCALE		SCALE:	2:1	PART No:	REFER TO CHART	SIZE:	A4	DRAWING NO. 55010543-000-1 SHEET 1 OF 1
DIMENSIONS IN MILLIMETRES		THIRD ANGLE PROJECTION								