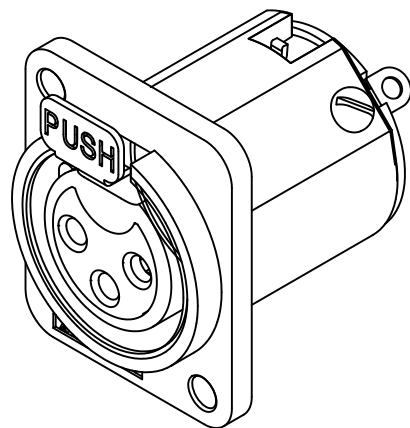


PANEL CUT OUT



ISO VIEW

AC*MDZ	INSERT No.	SHELL FINISH
AC3FDZ	156-4065-*00	NICKEL PLATED
AC4FDZ	156-4073-*00	NICKEL PLATED
AC5FDZ	156-4074-*00	NICKEL PLATED
AC6AFDZ	156-4075-*00	NICKEL PLATED
AC7FDZ	156-4076-*00	NICKEL PLATED
AC3FDZB	156-4065-*00	MATT BLACK
AC4FDZB	156-4073-*00	MATT BLACK
AC5FDZB	156-4074-*00	MATT BLACK
AC6AFDZB	156-4075-*00	MATT BLACK
AC7FDZB	156-4076-*00	MATT BLACK

NOTE:

1. ADD -AU TO PN FOR GOLD PLATED CONTACTS FOR EXAMPLE AC3MMPNZB-AU
2. ADD BULK TO THE PN FOR BULK PACKING. FOR EXAMPLE AC3MMPNZB-AU BULK

3	ADD PN FOR MATT BLACK SHELL FINISH ADD NOTE TO ADD -AU FOR GOLD PLATED CONTACTS	MH	14-06-16	9351
2	UPDATE TO AMPHENOL LOGO ADD SHEET 2 OF 2 FOR CUSTOMER DRAWING	M.N.H.	27-06-00	7473
1	FIRST ISSUE	D.v.E.	21-09-1995	----
REV.	CHANGE DETAILS	BY	DATE	CHG/No

UNLESS OTHERWISE SPECIFIED TOLERANCE TO BE		THIS DOCUMENT IS THE PROPERTY OF AMPHENOL AUSTRALIA PTY. LTD.. NO PART THEREOF MAY BE REPRODUCED AND USED WITHOUT THE PRIOR WRITTEN CONSENT OF THE OWNER			
LINEAR	ANGULAR	CAD FILE: 00821103	DRN: D.v.E.	DATE: 21-09-95	TITLE:
X ± 0.50	X° ± 1°	MATL: REFER TO COMPONENT	CKD: M.N.H	DATE: 14-06-16	AC*FDZ PANEL MOUNT CUSTOMER DRAWING
X,X ± 0.10	X,X° ± 30'	DO NOT SCALE	FINISH: REFER TO COMPONENT	APP'D: P.M	
X,XX ± 0.05	X,X,X° ± 15'	DIMENSIONS IN MILLIMETRES	THIRD ANGLE PROJECTION	SCALE: 2:1 UOS	DRAWING NO. 128461-0000 SHEET 2 OF 2