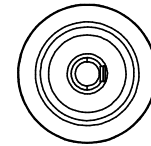
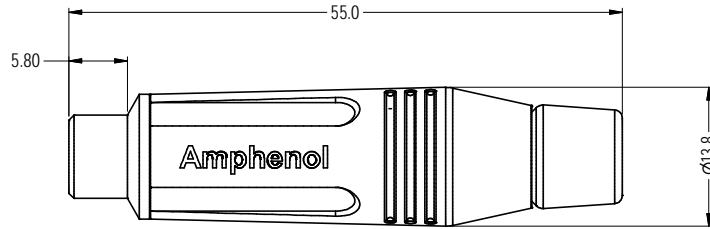
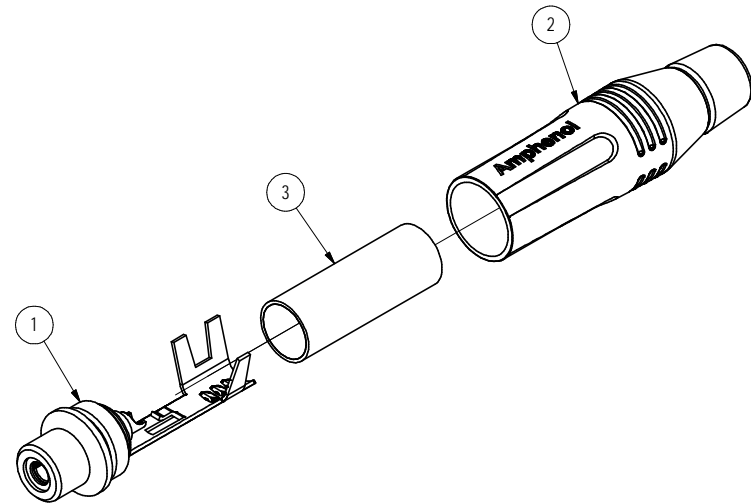


ISO VIEW



| Part Numbers According to Backshell and Grommet Finish | | | | |
|--|-----------------|--------------------------|--------------|----------------|
| CATALOGUE P/No. | REFERENCE P/No. | BACKSHELL ASSEMBLY P/No. | SHELL FINISH | GROMMET FINISH |
| ACJR-SBK | 55010300-000 | 53490001-331 | NICKEL | BLACK |
| ACJR-BLK | 55010300-001 | 53490001-431 | BLACK | BLACK |
| ACJR-BRN | 55010300-002 | 53490001-031 | BROWN | BROWN |
| ACJR-RED | 55010300-003 | 53490001-131 | RED | RED |
| ACJR-YEL | 55010300-004 | 53490001-231 | YELLOW | YELLOW |
| ACJR-GRN | 55010300-005 | 53490001-531 | GREEN | GREEN |
| ACJR-BLU | 55010300-006 | 53490001-631 | BLUE | BLUE |
| ACJR-VIO | 55010300-007 | 53490001-731 | VIOLET | VIOLET |
| ACJR-GRY | 55010300-008 | 53490001-831 | GREY | GREY |
| ACJR-WHT | 55010300-009 | 53490001-931 | WHITE | WHITE |
| ACJR-SRD | 55010300-010 | 53490001-332 | NICKEL | RED |
| ACJR-SYL | 55010300-011 | 53490001-333 | NICKEL | YELLOW |
| ACJR-SGR | 55010300-012 | 53490001-334 | NICKEL | GREEN |
| ACJR-SBL | 55010300-013 | 53490001-335 | NICKEL | BLUE |
| ACJR-SWH | 55010300-014 | 53490001-336 | NICKEL | WHITE |

| Parts List | | | | |
|------------|----------------|----------------|------------------------------------|-----|
| ITEM | PART NUMBER | DWG No | DESCRIPTION | QTY |
| 1 | 50310025-130 | 50310025-130-1 | FEMALE RCA JACK INSERT ASSEMBLY | 1 |
| 2 | REFER TO TABLE | 53490001-331-1 | 1/4" PHONE PLUG BACKSHELL ASSEMBLY | 1 |
| 3 | 51270016-531 | 51270013-521-1 | M-SERIES PLASTIC BIG TUBE | 1 |



| | | | | | | | | | | |
|--|-----------|---|------------------------|------------------------|----------------|---------------------------------|----------------|---|------|--------|
| UNLESS OTHERWISE SPECIFIED TOLERANCE TO BE | | THIS DOCUMENT IS THE PROPERTY OF AMPHENOL AUSTRALIA PTY. LTD. NO PART THEREOF MAY BE REPRODUCED AND USED WITHOUT THE PRIOR WRITTEN CONSENT OF THE OWNER | | | 0 | FIRST ISSUE | LV | 03-06-04 | --- | |
| LINEAR | ANGULAR | CAD FILE: 55010300000110 | DSD: | LV | DATE: 03-06-04 | REV. | CHANGE DETAILS | BY | DATE | CHG/No |
| X ± 0.5 | X' ± 1 | MATL: REFER TO COMPONENTS | CKD: | M.N.H | DATE: 07-09-05 | TITLE: FEMALE RCA JACK ASSEMBLY | | Amphenol Australia Pty Ltd, 1 Pines Blvd, Keysborough, VIC 3173 | | |
| XX ± 0.1 | XX' ± 30' | DO NOT SCALE | FINISH: REFER TO TABLE | APP'D: | P.M | DATE: 07-09-05 | DRAWING NO. | SHEET | | |
| BREAK ALL SHARP EDGES AND REMOVE ALL BURRS | | DIMENSIONS IN MILLIMETRES | | THIRD ANGLE PROJECTION | SCALE: 2:1 UOS | PART No: REFER TO TABLE | SIZE: A3 | 55010300-000-1 | 1/1 | |