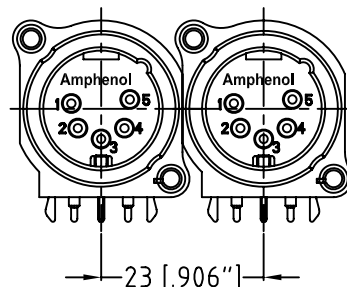
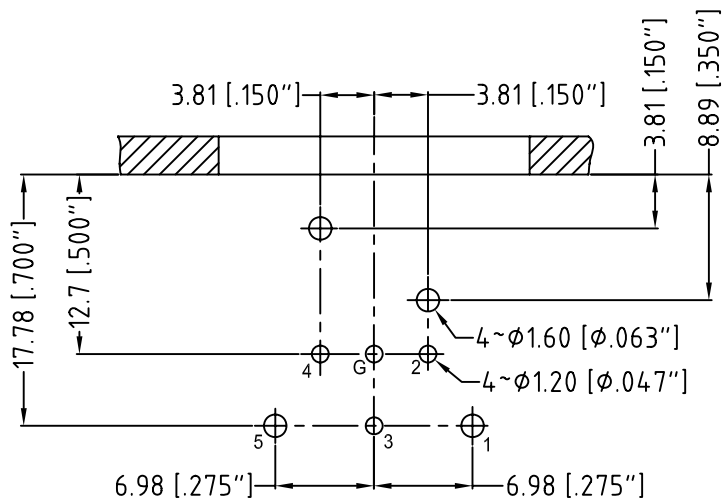
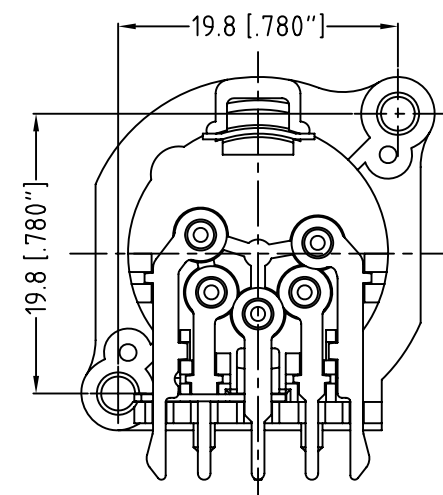
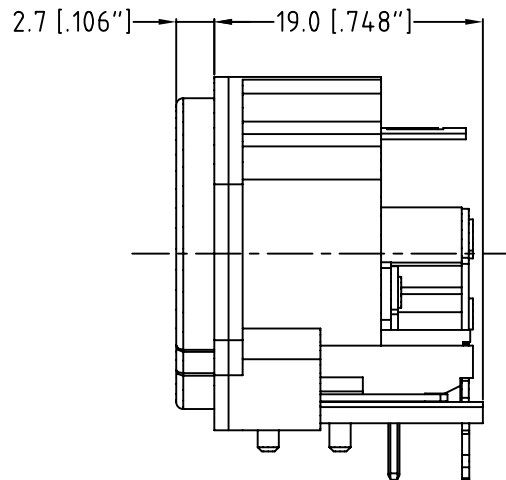
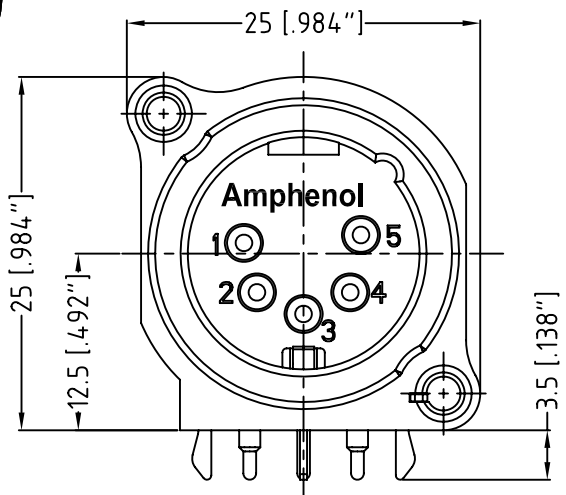


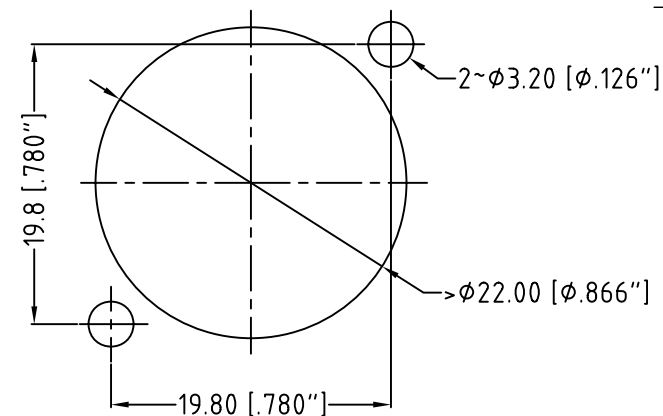
LEGEND  = KEY PRODUCT CHARACTERISTICS

REVISION HISTORY

REV	DESCRIPTION	DATE	BY	CHG/No
0	FIRST ISSUED	20-08-08	M.H	---
1	ADD -B TO PN	26-08-15	M.H	---



(SCALE 1:2)



PANEL CUT OUT

REAR VIEW

PCB-LAYOUT

COMPONENT SIDE
TOLERANCE: ±0.05mm[.002"]

UNLESS OTHERWISE SPECIFIED
TOLERANCE TO BE

LINEAR	ANGULAR
X ±0.50	X' ±1
X.X ±0.20	X.X' ±30°
X.XX ±0.10	X.XX' ±15°

BREAK ALL SHARP EDGES
AND REMOVE ALL BURRS

DO NOT SCALE

DIMENSIONS IN MILLIMETRES

THIS DOCUMENT IS THE PROPERTY OF AMPHENOL AUSTRALIA PTY. LTD.
. NO PART THEREOF MAY BE REPRODUCED AND USED
WITHOUT THE PRIOR WRITTEN CONSENT OF THE OWNER

MATERIAL:
REFER TO COMPONENTS

FINISH: REFER TO COMPONENTS

DRN: A.O	DATE: 20-08-08
CKD: M.H	DATE: 26-08-15
APP'D: P.M	DATE: 26-08-15
SCALE: 1:1	SIZE: A4

TITLE:
AC5MAH-AU-B
HORIZONTAL MALE
CUSTOMER DRAWING

PART No:
AC5MAH-AU-B

DRAWING NO.	SHEET
55010444-000-1	1/1

CAD FILE: 55010444000111



THIRD ANGLE
PROJECTION