



4TGSu35 100x600R

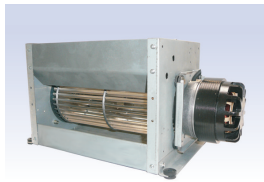
K10-A4 p



DATA SHEET

release. b - Revision 06-2019

Voltage	Frequency	Input Power	Input Current	Capacitor	Airflow	Rotation speed	Acoustic level	Direction rotation	Admissible Temperature
V	Hz	W	A	µF	m³/h	RPM	dBA	↻	Min/Max
230	50	83	0,39	2,5	950	1230	56	R	-25°C / +70°C
230	60	100	0,44	2,5	1055	1385	59	R	-25°C / +70°C
230	50				559 CFM				-13°F / 158°F
230	60				620 CFM				-13°F / 158°F



dBa : free blowing

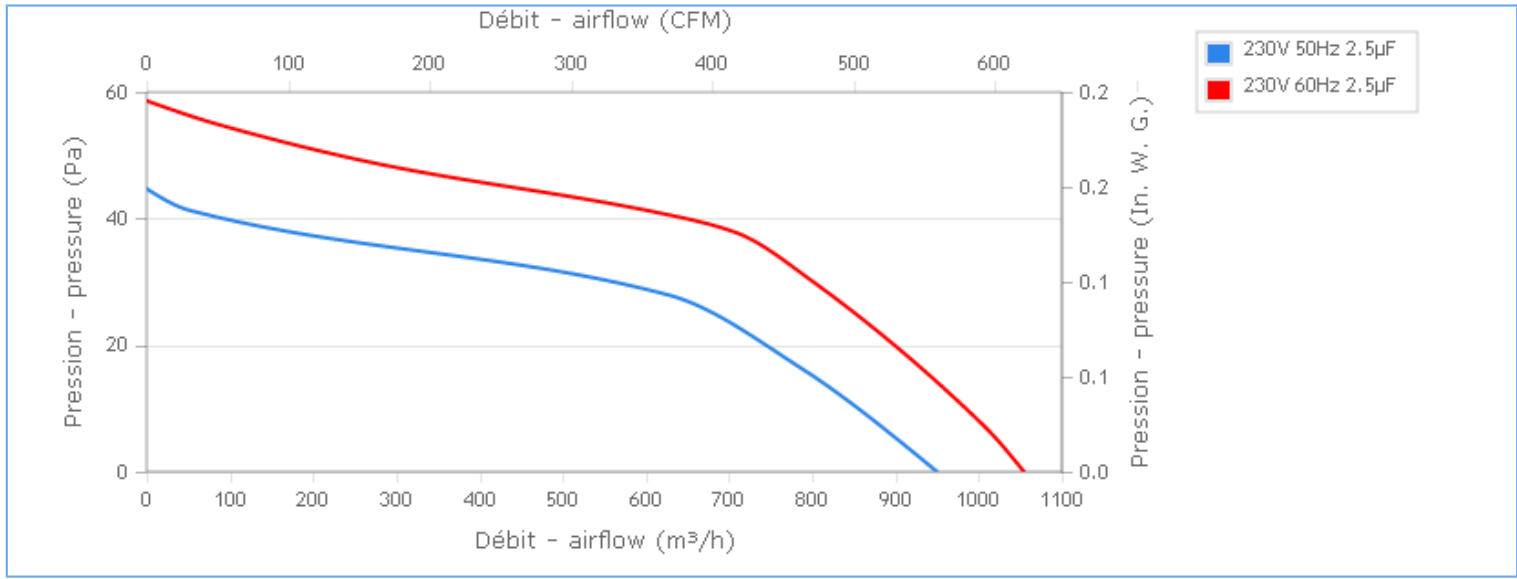
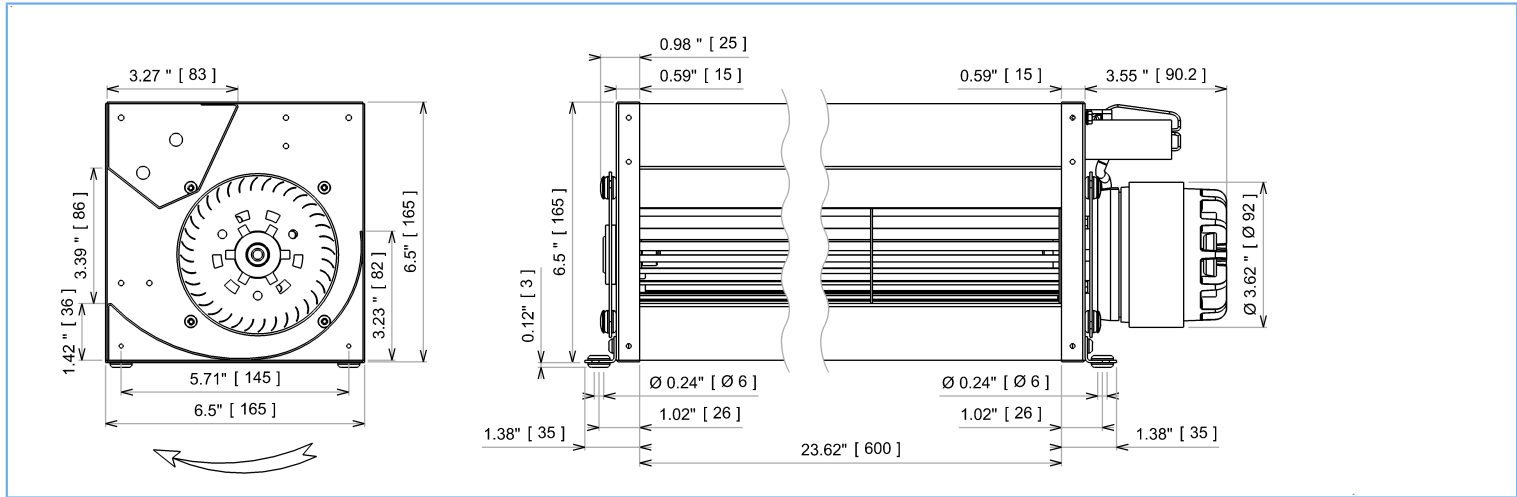
NA : not applicable

ErP 2013

NA

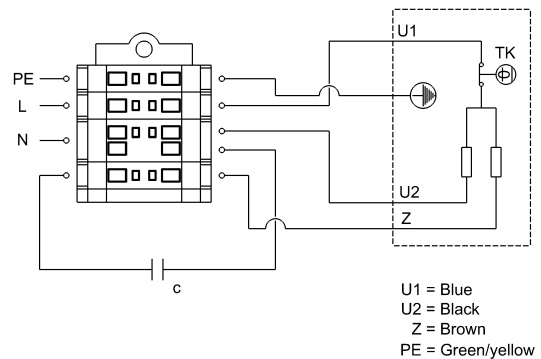
ErP 2015

NA



Description

- .Weight : 5,9 Kg
- .Ball bearing
- .Class F, thermally protected
- .IP20 Protection depending on installation and position as per EN60034-5
- .G2.5 balancing
- .Zinc coated steel scroll housing
- .Aluminium impeller
- .Capacitor fixed on the scroll and wired to a WAGO Connector



U1 = Blue
 U2 = Black
 Z = Brown
 PE = Green/yellow

Non contractual document. All specifications are subject to change without prior notice. Picture for information only.



4TGSu35 100x600R

K10-A4 p



DATA SHEET

release. b - Revision 06-2019

Data in accordance to ErP directive

Voltage	230	V
Frequency	50	Hz
Power	0,072	kW ⁽¹⁾
Airflow	628	m ³ /h ⁽¹⁾
Pressure	28	Pa ⁽¹⁾
Rotation speed	1352	RPM ⁽¹⁾

(1) at optimal efficiency point

ErP directive (EU 2009/125/EC) not applicable :
Power at optimum energy efficiency point

Accessories

19218

19218

Measurement setup

Contact ECOFIT

Documents

Manuel d'utilisation
www.ecofit.com/site/normes

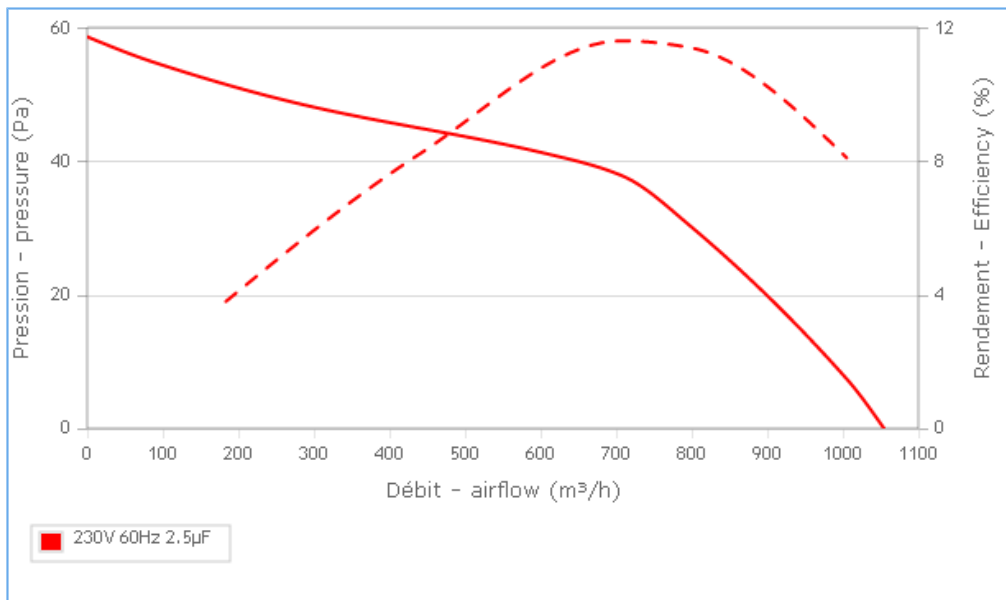
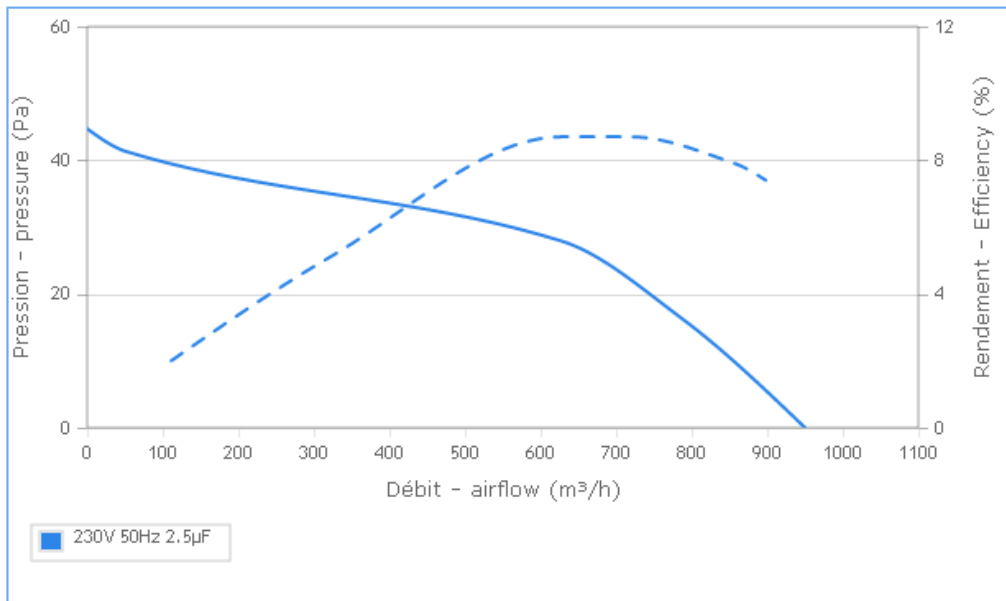
Operating and recycling manual
www.ecofit.com/anglais/normes



UL2111 (XEW2,8)
N° file E135223
4RS935



A041865
4RS935CN



Non contractual document. All specifications are subject to change without prior notice. Picture for information only.