



# 4GDSu25 146x216L (115V) G29-A3 p



## DATA SHEET

release. b - Revision 08-2018

Voltage	Frequency	Input Power	Input Current	Capacitor	Airflow	Rotation speed	Direction rotation	Admissible Temperature
V	Hz	W	A	μF	m <sup>3</sup> /h	RPM		Min/Max
115	50	75	0,66	8,0	710	1035	L	-40°C / +70°C
115	60	89	0,78	8,0	725	1040	L	-40°C / +70°C
115	50				417 CFM			-40°F / 158°F
115	60				426 CFM			-40°F / 158°F

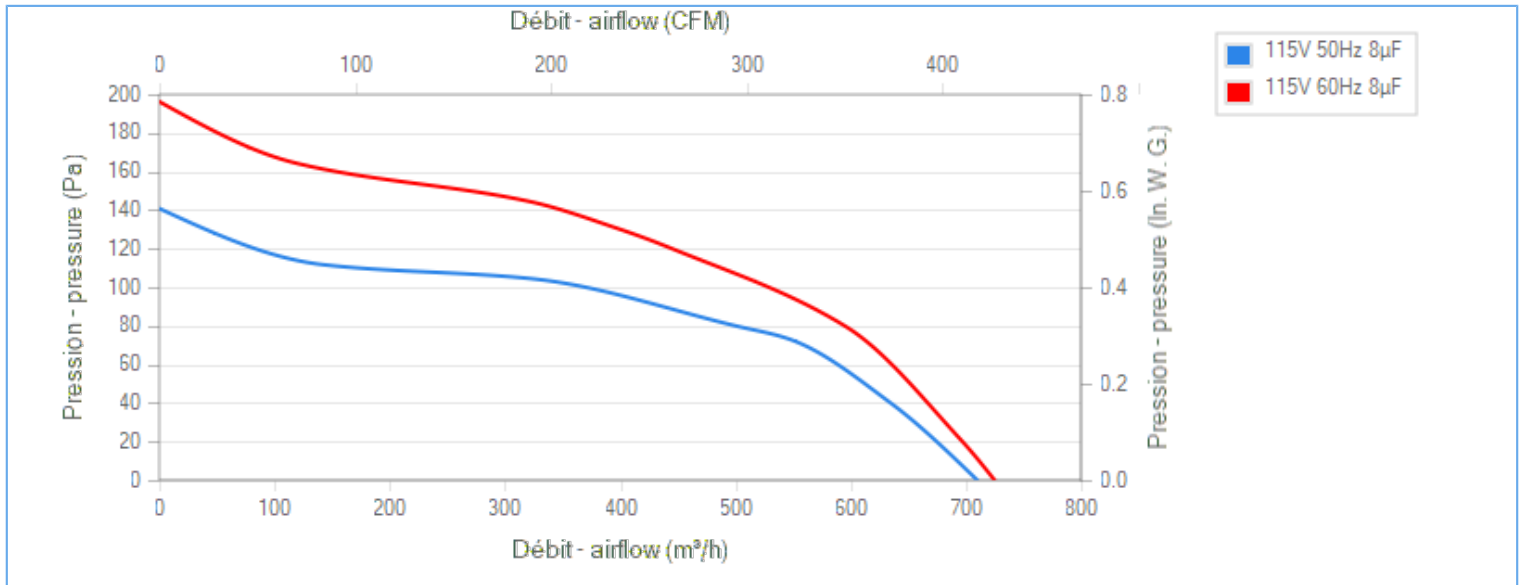
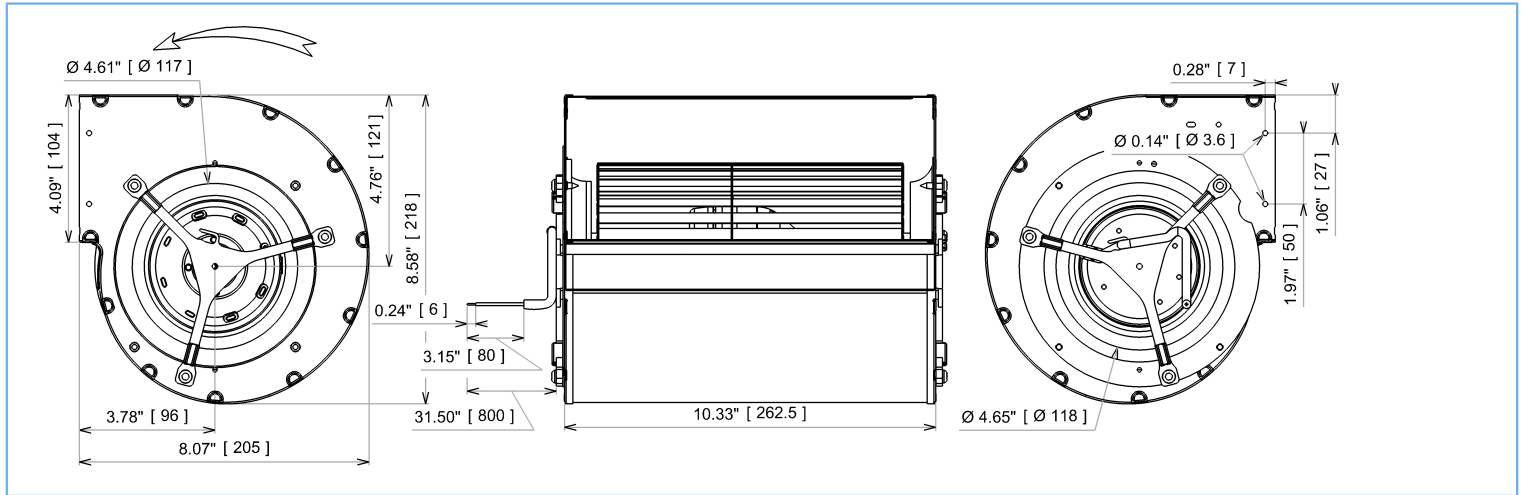
NA : not applicable

ErP 2013

NA

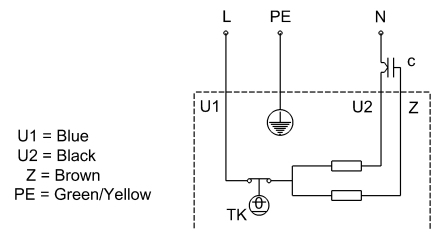
ErP 2015

NA



### Description

- .Weight : 3,7 Kg
- .Ball bearing
- .Class F, thermally protected
- .IP44 protection depending on installation and position as per EN60034-5
- .G2.5 balancing
- .Scroll housing : black paint
- .Galvanized steel impeller
- .Motor - UL Recognized component





4GDSu25 146x216L (115V) G29-A3 p



# DATA SHEET

release. b - Revision 08-2018

## Data in accordance to ErP directive

Voltage	115	V
Frequency	50	Hz
Power	0,065	kW <sup>(1)</sup>
Airflow	500	m <sup>3</sup> /h <sup>(1)</sup>
Pressure	80	Pa <sup>(1)</sup>
Rotation speed	1235	RPM <sup>(1)</sup>

(1) at optimal efficiency point

ErP directive (EU 2009/125/EC) not applicable :  
Power at optimum energy efficiency point

## Accessories

- 19222
- 19222
- 21338
- 09145

## Measurement setup

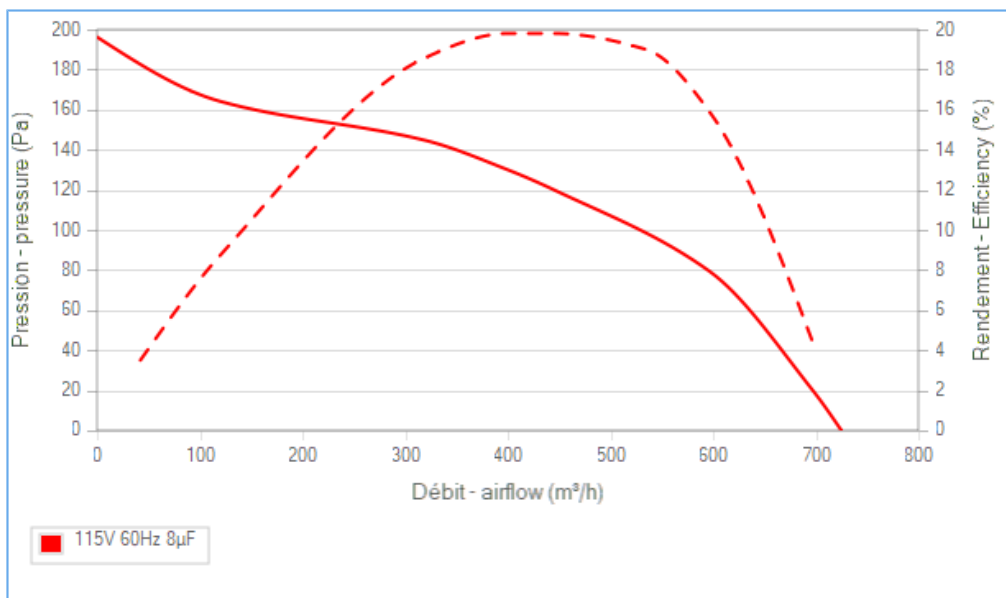
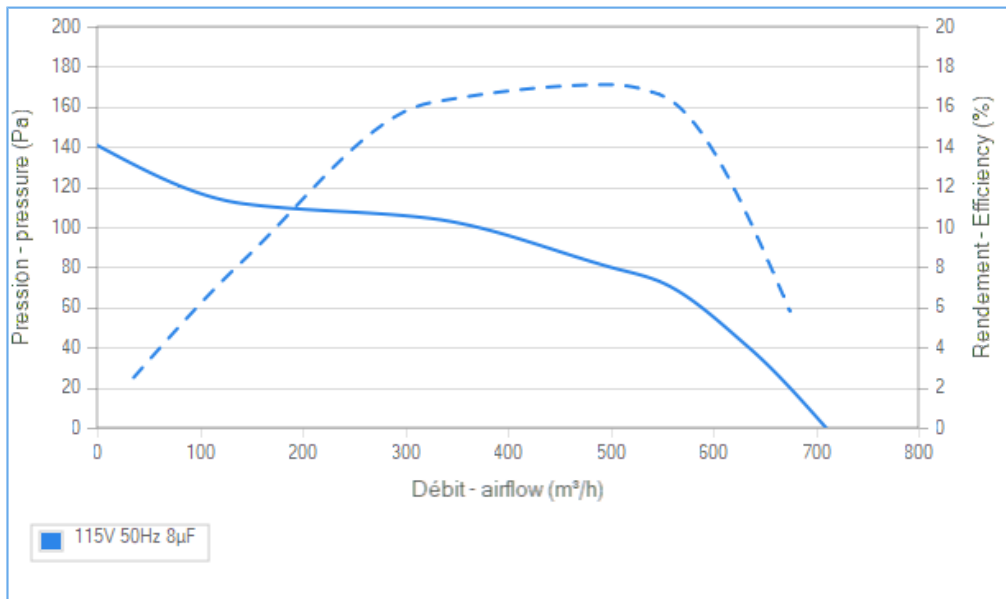
Contact ECOFIT

## Documents

- Manuel d'utilisation  
[www.ecofit.com/site/normes](http://www.ecofit.com/site/normes)
- Operating and recycling manual  
[www.ecofit.com/anglais/normes](http://www.ecofit.com/anglais/normes)



UL2111 (XEW2,8)  
N° file E135223  
4SS925



Non contractual document. All specifications are subject to change without prior notice. Picture for information only.