

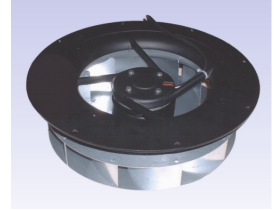


2RREu35 225x63R (115V-Inv) C45-A7 p

DATA SHEET

release. f - Revision 06-2016

Voltage	Frequency	Input Power	Input Current	Capacitor	Airflow	Rotation speed	Acoustic level	Direction rotation	Admissible Temperature
V	Hz	W	A	µF	m³/h	RPM	dBA	↻	Min/Max
115	50	146	1,27	18,0	960	2510	67	R	-40°C / +70°C
115	60	198	1,73	18,0	1055	2670	69	R	-40°C / +70°C
115	50				565 CFM				-40°F / 158°F
115	60				620 CFM				-40°F / 158°F



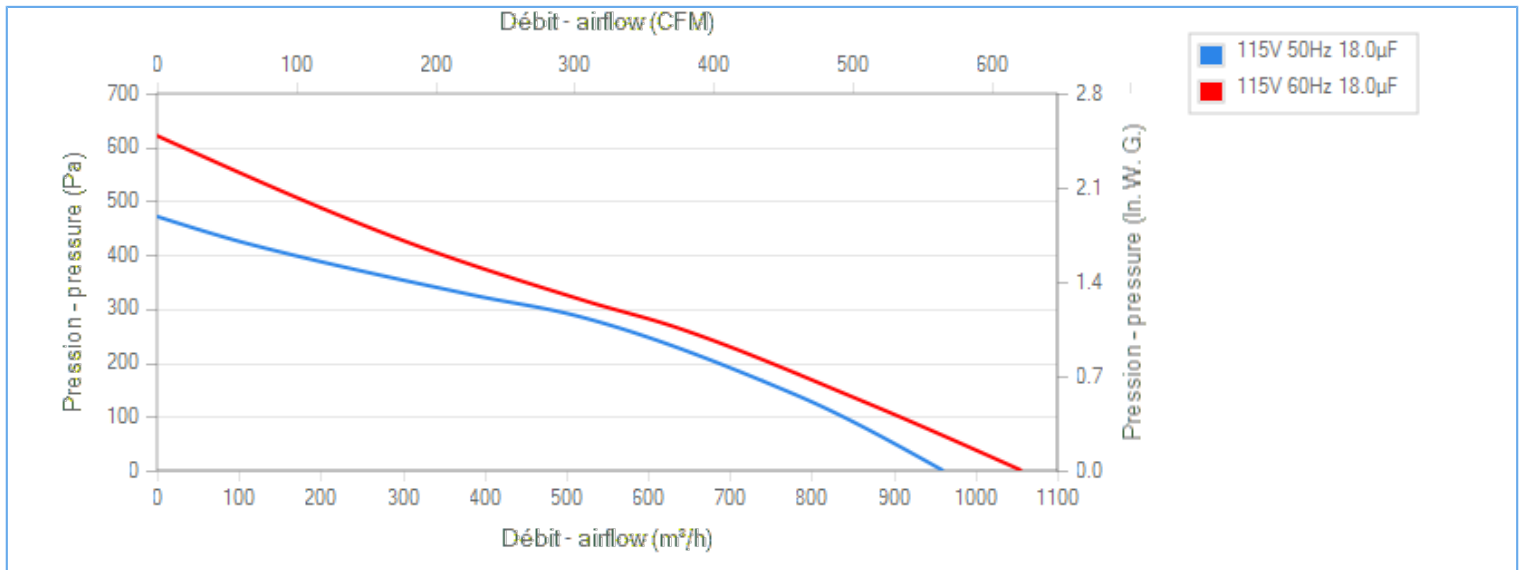
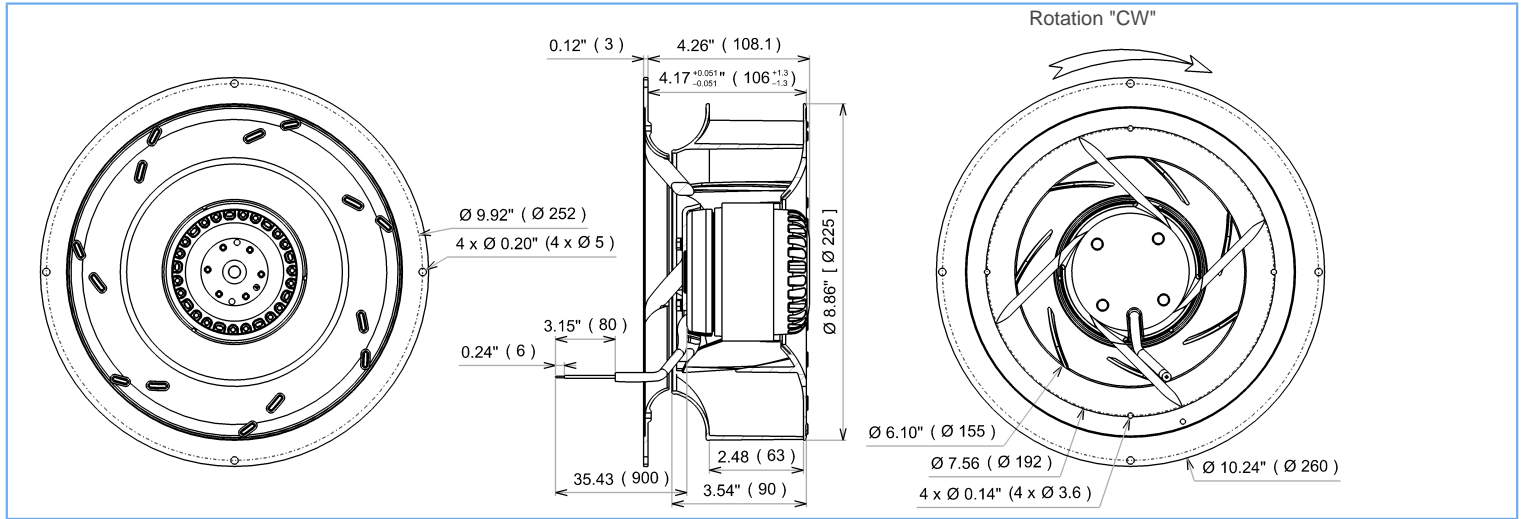
dBA : free blowing

ErP 2013

NOK

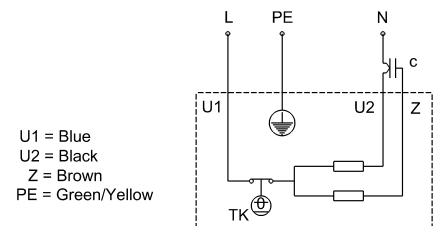
ErP 2015

NOK



Description

- .Weight : 2,5 Kg
- .Ball bearing
- .Insulation Class F
- .IP44 protection depending on installation and position as per EN60034-5
- .G2.5 balancing
- .PA 6/6 UL 94 V-0 plastic impeller
- .Rotor : black paint
- .Black painted aluminium reversed-inletcone
- .Motor - UL Recognized component



Non contractual document. All specifications are subject to change without prior notice. Picture for information only.



2RREu35 225x63R (115V-Inv) C45-A7 p

DATA SHEET

release. f - Revision 06-2016

Data in accordance to ErP directive

Voltage	115	V
Frequency	50	Hz
Power	0,147	kW ⁽¹⁾
Airflow	511	m ³ /h ⁽¹⁾
Pressure	288	Pa ⁽¹⁾
Rotation speed	2490	RPM ⁽¹⁾
(1) at optimal efficiency point		

For service use only in Europe according ErP directive EU 2009/125/EC

Accessories

- 19225
- 19225
- 21194

Measurement setup

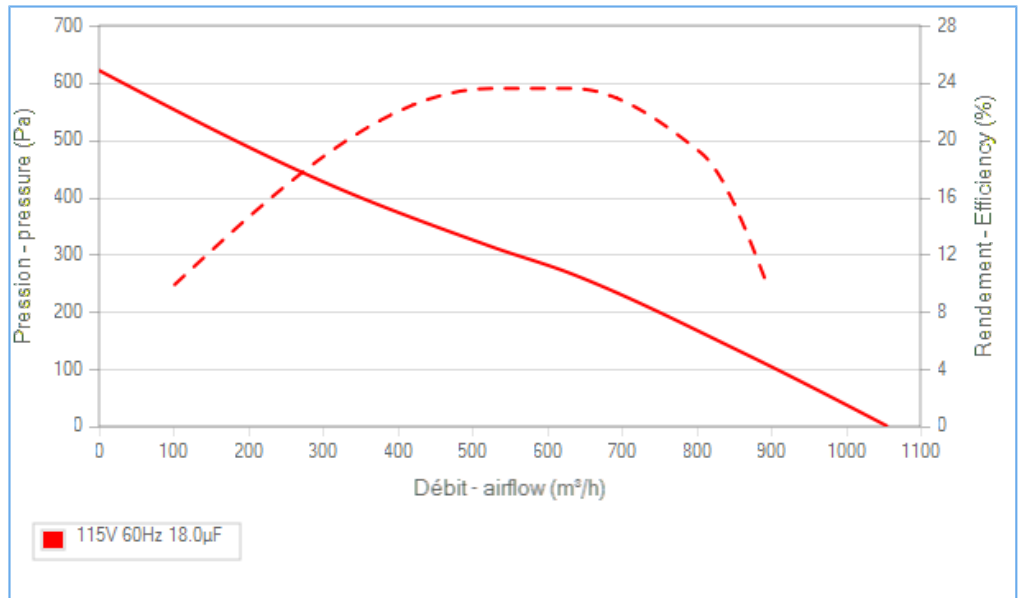
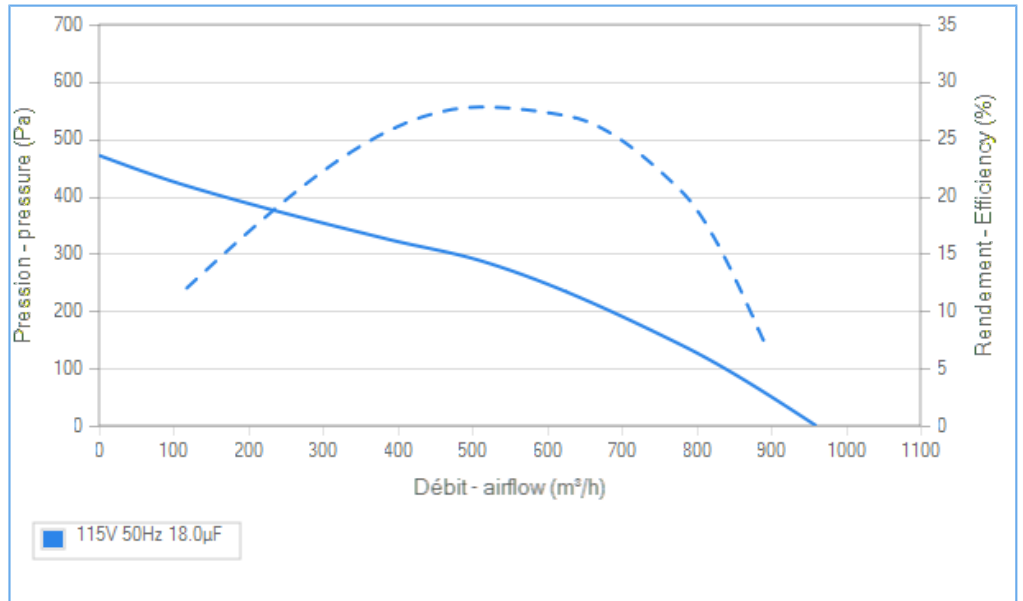
16195 M05-022 Ouie support moteur Ø155inter Ø260ext moulée Alu NOIRE

Documents

- Manuel d'utilisation
www.ecofit.com/site/normes
- Operating and recycling manual
www.ecofit.com/anglais/normes



UL2111 (XEWR2,8)
N° file E135223
2RS935



Non contractual document. All specifications are subject to change without prior notice. Picture for information only.