



# 2RREu15 180x35R (115V-Inv) C45-A4 p



## DATA SHEET

release. e - Revision 04-2017

| Voltage | Frequency | Input Power | Input Current | Capacitor | Airflow | Rotation speed | Acoustic level | Direction rotation | Admissible Temperature |
|---------|-----------|-------------|---------------|-----------|---------|----------------|----------------|--------------------|------------------------|
| V       | Hz        | W           | A             | µF        | m³/h    | RPM            | dBA            | ↻                  | Min/Max                |
| 115     | 50        | 48          | 0,45          | 5,0       | 370     | 2640           | 62             | R                  | -40°C / +70°C          |
| 115     | 60        | 57          | 0,5           | 5,0       | 420     | 2980           | 64             | R                  | -40°C / +70°C          |
| 115     | 50        |             |               |           | 217 CFM |                |                |                    | -40°F / 158°F          |
| 115     | 60        |             |               |           | 247 CFM |                |                |                    | -40°F / 158°F          |



dBa : free blowing

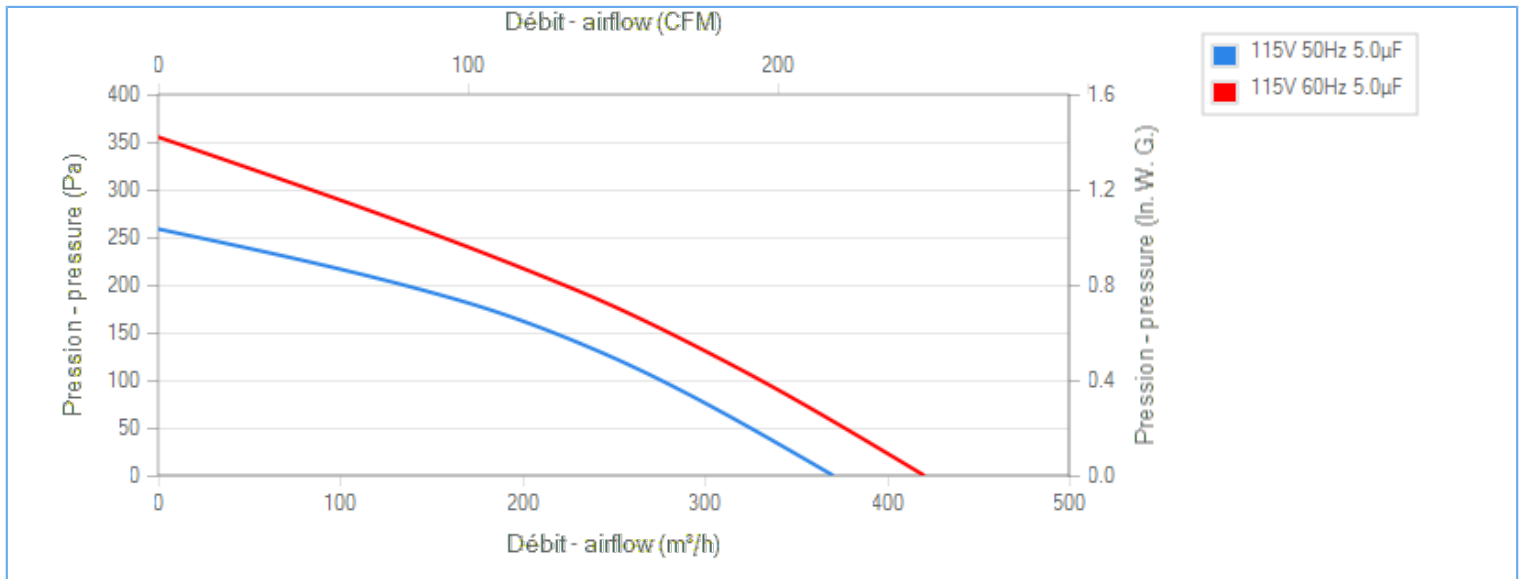
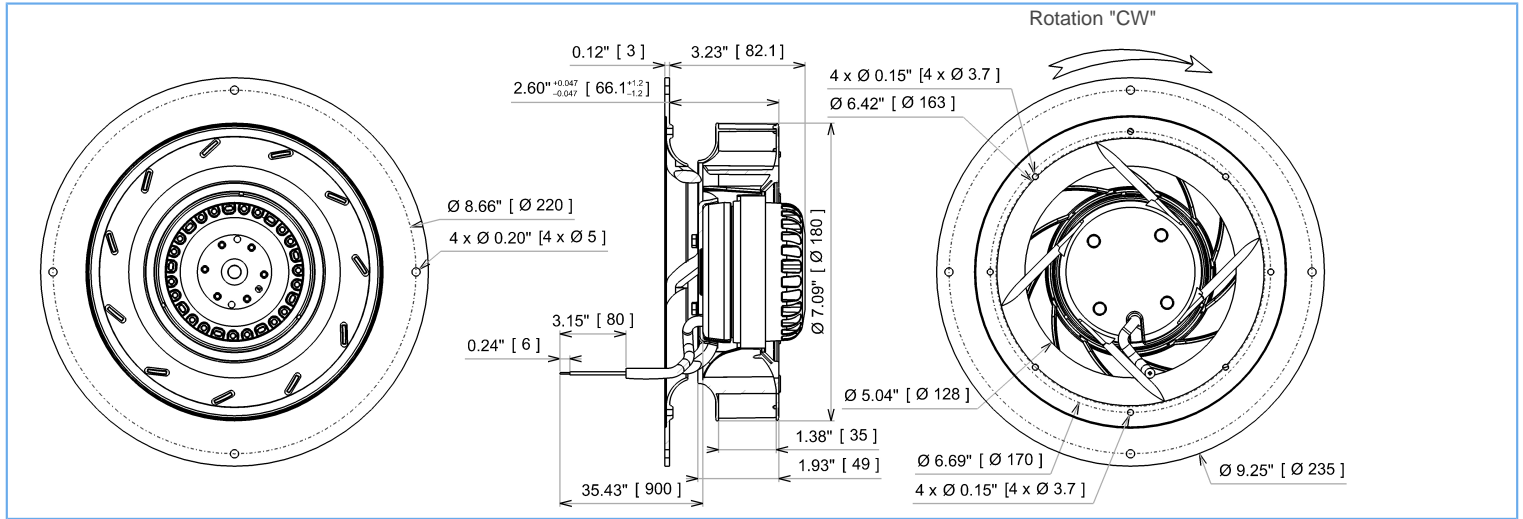
NA : not applicable

ErP 2013

NA

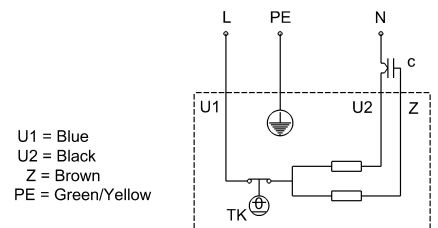
ErP 2015

NA



### Description

- .Weight : 1,5 Kg
- .Ball bearing
- .Class F, thermally protected
- .IP44 protection depending on installation and position as per EN60034-5
- .G2.5 balancing
- .Rotor : black paint
- .PA 6/6 UL 94 V-0 plastic impeller
- .Black painted aluminium reversed-inletcone
- .Motor - UL Recognized component





# 2RREu15 180x35R (115V-Inv) C45-A4 p



## DATA SHEET

release. e - Revision 04-2017

### Data in accordance to ErP directive

|                |       |                                  |
|----------------|-------|----------------------------------|
| Voltage        | 115   | V                                |
| Frequency      | 50    | Hz                               |
| Power          | 0,049 | kW <sup>(1)</sup>                |
| Airflow        | 245   | m <sup>3</sup> /h <sup>(1)</sup> |
| Pressure       | 128   | Pa <sup>(1)</sup>                |
| Rotation speed | 2581  | RPM <sup>(1)</sup>               |

(1) at optimal efficiency point

ErP directive (EU 2009/125/EC) not applicable :  
Power at optimum energy efficiency point

### Accessories

- 19216
- 19216
- 21366

### Measurement setup

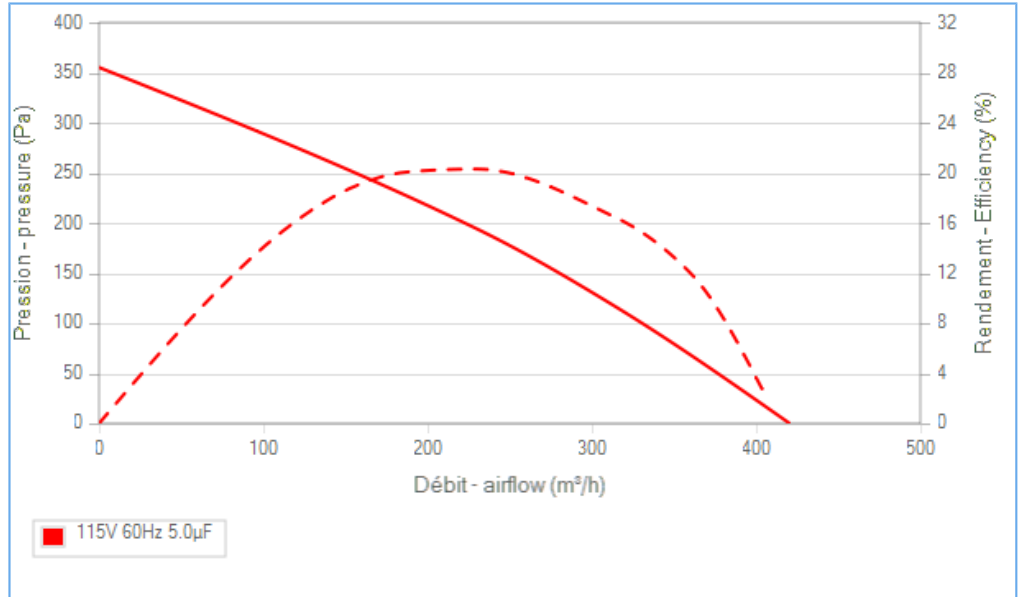
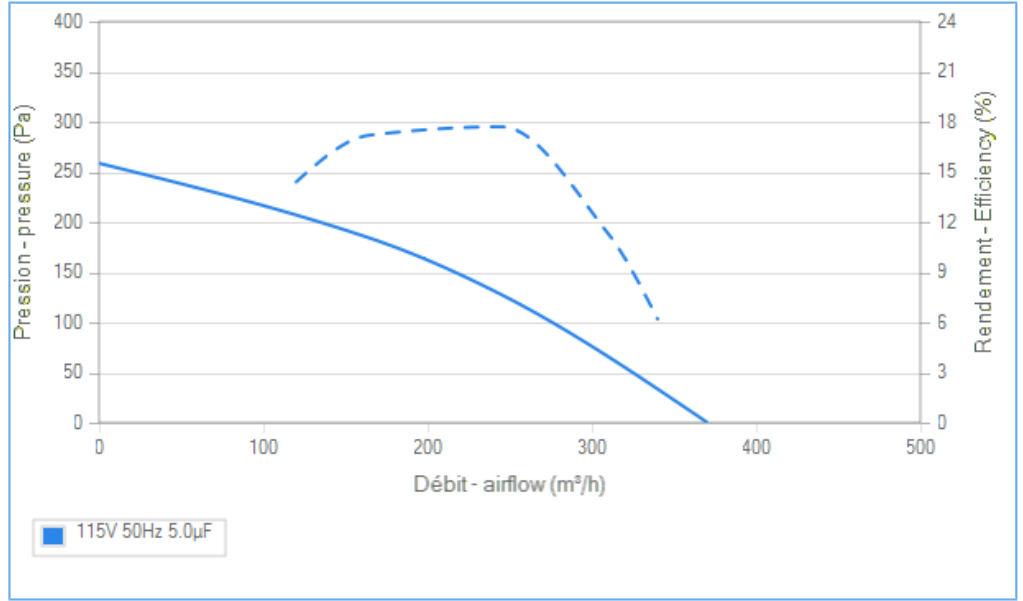
16193 M05-021 Ouie support moteur Ø128inter  
Ø235ext moulée Alu NOIRE

### Documents

- Manuel d'utilisation  
[www.ecofit.com/site/normes](http://www.ecofit.com/site/normes)
- Operating and recycling manual  
[www.ecofit.com/anglais/normes](http://www.ecofit.com/anglais/normes)



UL2111 (XEWR2,8)  
N° file E135223  
2RS915



Non contractual document. All specifications are subject to change without prior notice. Picture for information only.