

Technical data sheet

Revision h
Revision 11/2022

ECOFIT

by

rosenberg
THE AIR MOVEMENT GROUP
VENDOME

Model
B12-A0 p

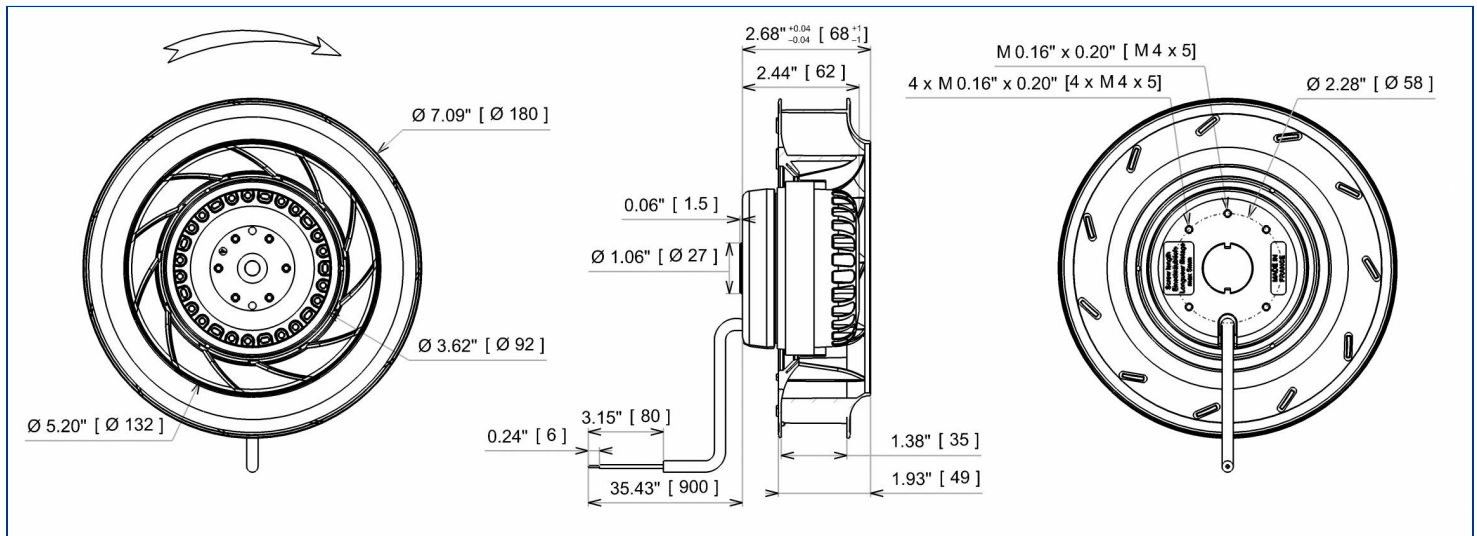


Designation **2RREu15 180x35R (115V)**

Range Backward curved centrifugal fans with single phase asynchronous motor

ELECTRICAL DATA

Speed		
Tension (V)	115	115
Frequency (Hz)	50	60
Current (A)	0.43	0.53
Maximum current (A)	0.47	0.58
Power (W)	49	60
Maximum power (W)	51	65
Rotation (RPM)	2610	2960
Cos Φ	0.991	0.984
Temperature min/max (°C)	-40/+70	-40/+85
Capacitor (µF)	6.00	6.00
U_condo (V)	400	400



MARKING & STANDARDS

Conformity

- **CE**
- **UKCA**
- **UL 2RS915 2111 REC92 MonoPhaseé (XEW2,8)**
File number E135223



The product is manufactured in accordance with EN 60335-1, UL2111, and RoHS directive 2015/863/CE
IP class according to EN 60034-5 to be checked with operation and installation

Issued: 2022-11-29 at 09:29 Documentations and pictures are non contractual, all the data of the technical file and the drawing are subject to change.

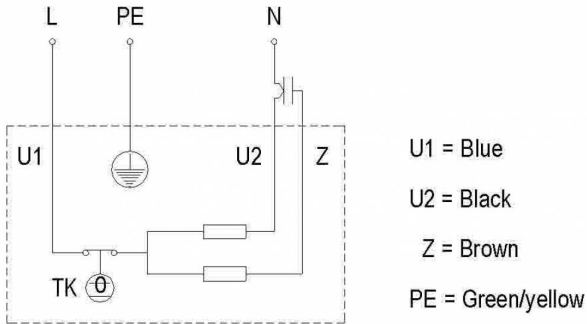
EN - Page 1 / 4

TECHNICAL DATA

Description

- Weight: 1.30 kg
- With Condensat Drain Holes
- Class F
- Protection level: 44 | Protection against ingress of solid with diameter ≥ 1 mm / Protection against ingress of water : splashing
- Motor's protection T150° C UL Automatic reset
- Bearing type: 2 ball bearings 608ZZ
- Balance level: G2.5

Wiring diagram



Finishes

- Rotor : black paint
- PA 6/6 UL 94 V-0 plastic impeller
- Motor - UL Recognized component

The product is manufactured in accordance with EN 60335-1, UL2111, and RoHS directive 2015/863/CE
IP class according to EN 60034-5 to be checked with operation and installation

Issued: 2022-11-29 at 09:29 Documentations and pictures are non contractual, all the data of the technical file and the drawing are subject to change.

EN - Page 2 / 4



by



ADDITIONAL DATA

Accessories

- 19221 | Capacitor
- 21181 | Finger guard
- 16043 | Inlet cone

Documentations

- Operating and recycling manual
<http://www.ecofit.com/anglais/normes>

Measurement setup

- Ouie 16043-a OUIE OG128 H13 Galva

ERP DATA

ErP Directive ErP (EU 2009/125/EC) not applicable:

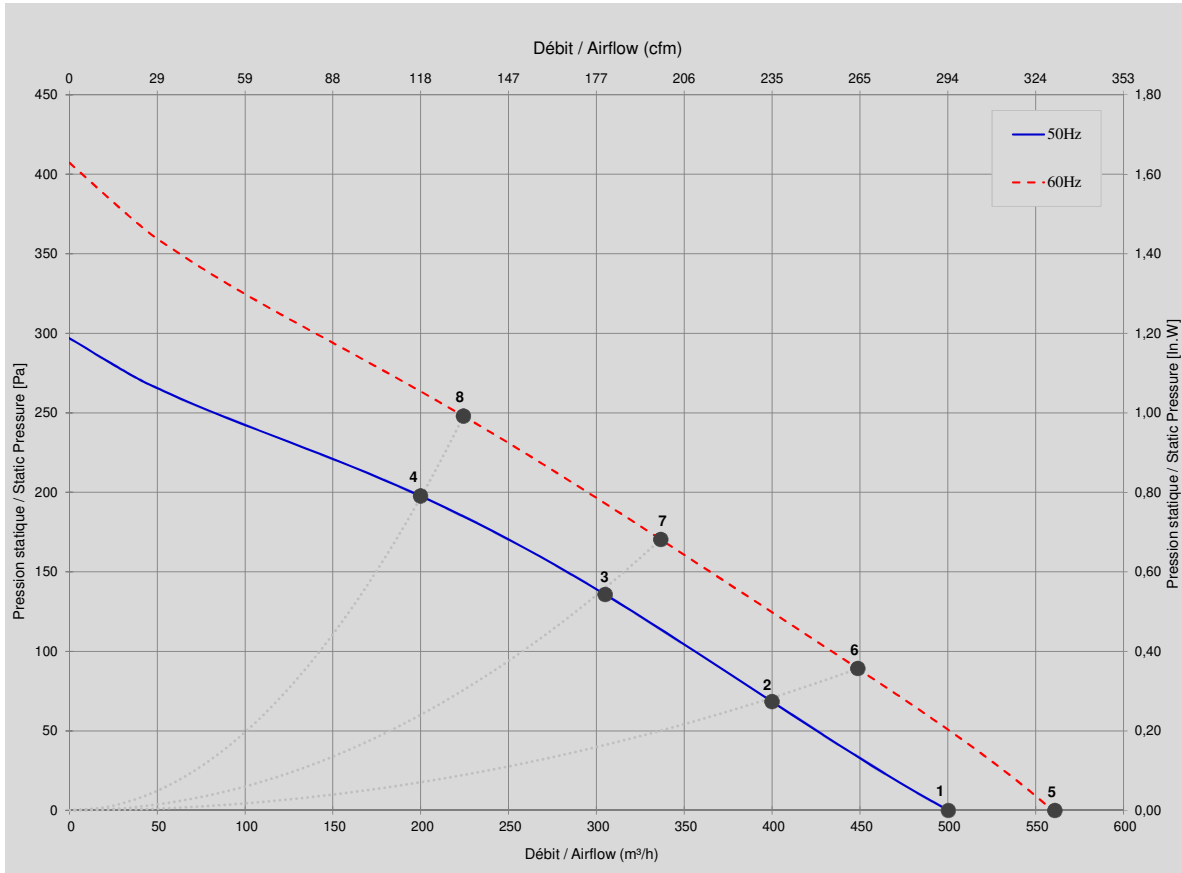
- Power at optimum energy efficiency point <125W

*The product is manufactured in accordance with EN 60335-1, UL2111, and RoHS directive 2015/863/CE
IP class according to EN 60034-5 to be checked with operation and installation*

Issued: 2022-11-29 at 09:29 Documentations and pictures are non contractual, all the data of the technical file and the drawing are subject to change.

EN - Page 3 / 4

TECHNICAL DATA



Mesures / Measured Values *

	Un (V)	F (Hz)	C (µF)	P (W)	n (RPM)	Q (m³/h)	P (Pa)	Q (cfm)	P (In.W)	Lp _n (dBA)
1	115	50	6	49	2610	500	0	294	0,000	59,0
2	115	50	6	51	2561	400	68	235	0,274	57,0
3	115	50	6	52	2539	305	136	180	0,544	54,0
4	115	50	6	50	2559	200	198	118	0,792	56,0
5	115	60	6	60	2960	561	0	330	0,000	62,0
6	115	60	6	64	2868	449	89	264	0,357	59,0
7	115	60	6	64	2827	337	170	198	0,683	57,0
8	115	60	6	63	2843	224	248	132	0,993	59,0

* Air performance measured according to: ISO 5801, installation category C.
Intake-side sound level: according to ISO 3744, LpA measured at 1 m distance from fan axis. The values given are only applicable under the specified measuring conditions and may differ depending on the installation conditions. In the event of deviation

The product is manufactured in accordance with EN 60335-1, UL2111, and RoHS directive 2015/863/CE
IP class according to EN 60034-5 to be checked with operation and installation