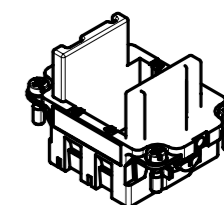
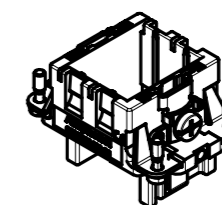
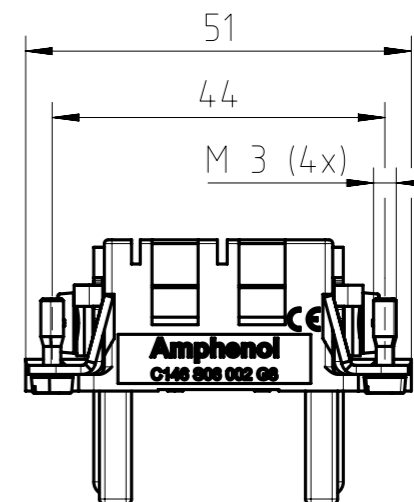
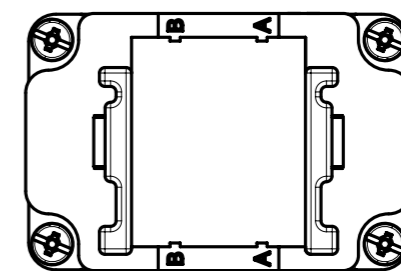
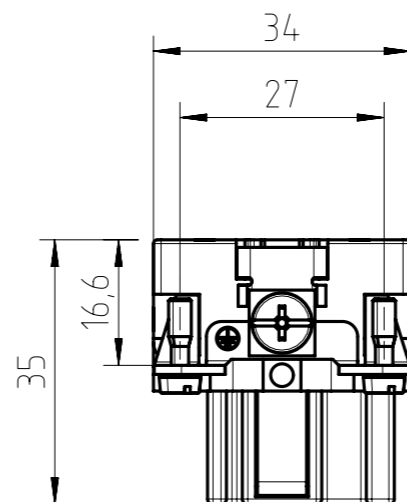


Find out more about our products on:  
[www.amphenol-industrial.de](http://www.amphenol-industrial.de)

| General Characteristics                                 | Standard       | Value  |
|---|----------------|--|
| number of module slots                                  |                | 2  |
| type of modules   |                | socket modules   |
| number of contacts                                      |                | 2xPE   |
| PE contacts termination technique                       |                | screw  |
| PE contacts wire gauge<br>(wire end sleeve recommended) |                | max. 6 mm <sup>2</sup><br>(10 - 16 mm <sup>2</sup> with cable lug) |
| PE contacts torque                                      |                | 1,8 Nm   |
| 4xM3 assembly bolts torque                              |                | 1,2 - 1,8 Nm   |
| Electrical Characteristics                              | Standard       | Value  |
| pollution degree  | IEC 60664-1    | 3  |
| contact resistance                                      | IEC 60512-2-1  | ≤ 10 mΩ  |
| Climatical Characteristics                              | Standard       | Value  |
| operating temperature                                   | IEC 60068-1    | -40 - +125°C   |
| Mechanical Characteristics                              | Standard       | Value  |
| mechanical operation                                    | IEC 60512-9-1  | ≥500 mating cycles   |
| mating/unmating force<br>(in new condition)             | IEC 60512-13-2 | ≤40 N  |
| Materials   | Standard       | Value  |
| module frame material                                   |                | PA-GF  |
| module frame flammability                               | UL 94          | V-0  |
| module frame color                                      |                | black  |
| PE contacts material                                    |                | CuZn (brass)   |
| PE contacts plating                                     |                | Ni (nickel)  |



Alle technischen Daten wurden unter Laborbedingungen ermittelt und können im Praxisbetrieb abweichen. Es handelt sich bei den Angaben weder um Beschaffenheits- noch um Haltbarkeitsgarantien.  
All technical data have been measured in a laboratory environment and can be different during practical usage of the product. Any product information is for descriptive usage only and not legally binding; particularly the information does not constitute or provide any legal guarantees ("Beschaffenheitsgarantie" or "Haltbarkeitsgarantie").

|                                       |                        |                                 |       |  |    |  |
|---------------------------------------|------------------------|---------------------------------|-------|--|----|--|
| Gewicht (errechnet) / Calc WT: 29,5 g |                        | Zul. Abw./Tolerances:           |       | Maßstab / Scale: 1:1 (1:2)                     | A3 |  |
| Prüfmaß / Testdimension               |                        | ISO 2768-m                      |       | CUSTOMER DRAWING                               |    |  |
| Teileindex / Partindexnumber:         |                        |                                 |       | Modulrahmen 2 Module<br>module frame 2 modules |    |  |
| Bagatelle change:                     |                        |                                 |       |  |    |  |
| Gez. / Drawn                          | 13.04.2015             | Status Released                 |       | M C146 S06 002 G8                              |    |  |
| Gepr. / Checked                       | 25.05.2021             |                                 |       |  |    |  |
|                                       |                        | MBERTSCH                        |       | Blatt / Sheet<br>1<br>1 Bl.                    |    |  |
|                                       |                        | Amphenol Tuchel Industrial GmbH |       |  |    |  |
| 02                                    | 202100117              | 22.04.2021                      | PWÖLF | Ers. f. / Replacement for:                     |    |  |
| Index                                 | Änderung / Description | Datum / Date                    | Name  |  |    |  |

Coping of this document and giving it to others and the use or communication of the contents thereof, are forbidden without express authority. Offenders are liable to the payment of damages. All rights are reserved in the event of the grant of a patent or the registration of the utility model or design.

Weitergabe sowie Vervielfältigung dieser Unterlage, Verwertung und Mitteilung ihres Inhalts nicht gestattet, soweit nicht ausdrücklich zugestanden. Zuwiderhandlungen verpflichten zu Schadenersatz. Alle Rechte für den Fall der Patenterteilung oder Gebrauchsmuster-Eintragung vorbehalten.

FAI2021-001243  
NXM-V03