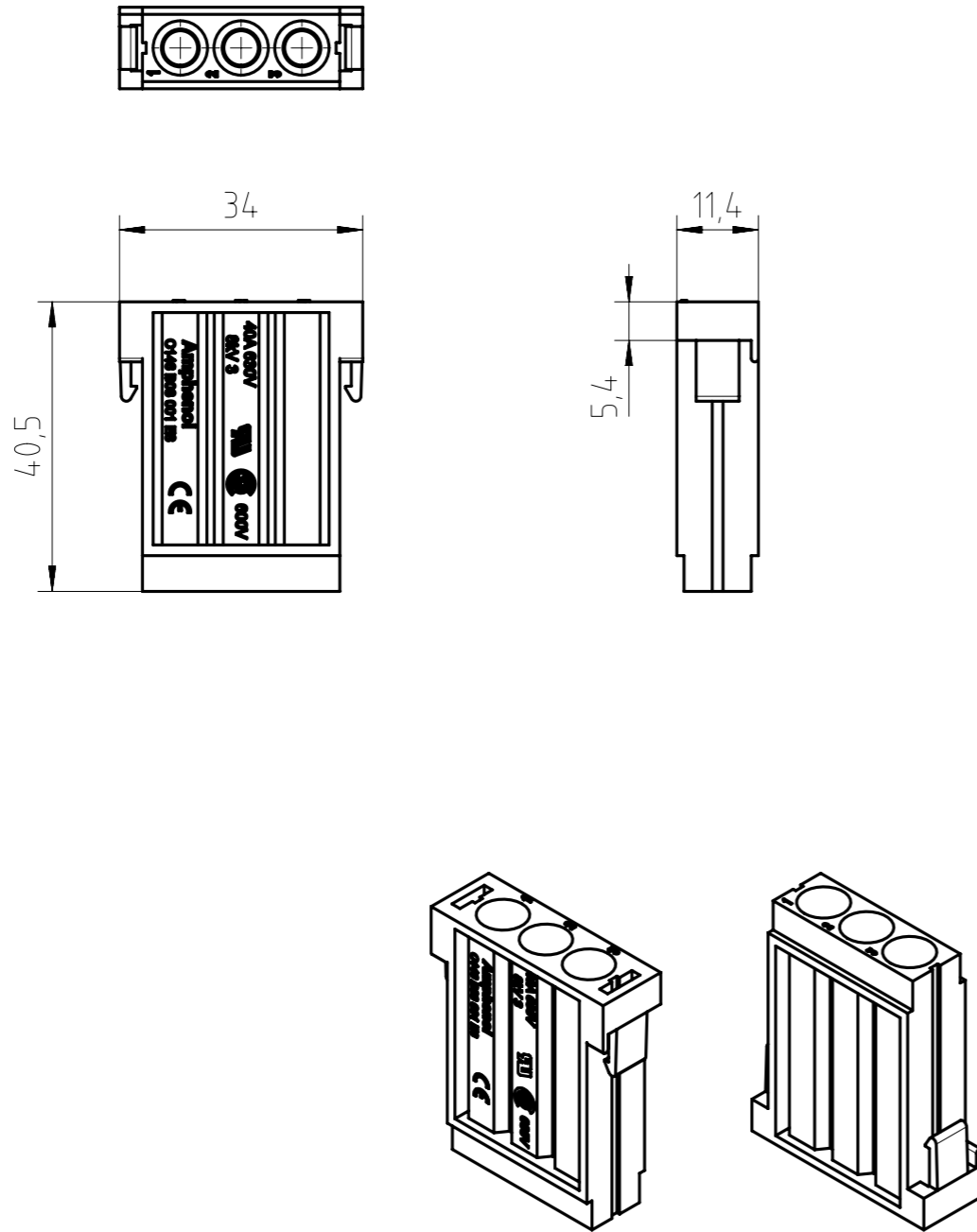


Find out more about our products on:
www.amphenol-industrial.de



Alle technischen Daten wurden unter Laborbedingungen ermittelt und können im Praxisbetrieb abweichen. Es handelt sich bei den Angaben weder um Beschaffenheits- noch um Haltbarkeitsgarantien. All technical data have been measured in a laboratory environment and can be different during practical usage of the product. Any product information is for descriptive usage only and not legally binding; particularly the information does not constitute or provide any legal guarantees ("Beschaffenheitsgarantie" or "Haltbarkeitsgarantie").

| General Characteristics | Standard | Value |
|--|---------------|--|
| number of contacts | | 3 |
| contacts termination technique | | crimp |
| contacts type | | machined contacts |
| contacts wire gauge | | 1,5 mm ² - 10 mm ² AWG 16 - AWG 8 |
| contacts max. cable diameter | | ∅ 7,2 mm |
| protection class | IEC 60529 | IP20 (unmated) |
| | | IP20 (mated) |
| approvals | UL 1977 | ECBT2E63093 |
| | CSA C22.2 | 048932_0_000 |
| Electrical Characteristics | Standard | Value |
| rated voltage | IEC 60664-1 | 630 V (UL/CSA: 600 V) |
| pollution degree | IEC 60664-1 | 3 |
| rated impulse withstand voltage | IEC 60664-1 | 8 kV |
| rated current T _{amb} = 40 °C | | 40 A |
| current carrying capacity | IEC 60512-5-2 | see derating curve |
| contact resistance | IEC 60512-2-1 | ≤ 5 mΩ |
| insulation resistance | IEC 60512-3-1 | ≥ 10 ¹⁰ Ω |
| Climatical Characteristics | Standard | Value |
| operating temperature | IEC 60068-1 | -40 - +125°C |
| Mechanical Characteristics | Standard | Value |
| mechanical operation | IEC 60512-9-1 | ≥10000 mating cycles |
| Materials | Standard | Value |
| module material | | PA-GF |
| module flammability | UL 94 | V-0 |
| module color | | black |

| | | | | | | | | | |
|------------------------------------|------------------------|-----------------------|-------|--|--|--|--|--|--|
| Gewicht (errechnet) / Calc WT: 9 g | | Zul. Abw./Tolerances: | | Maßstab / Scale: 1:1 | | A3 | | | |
| Prüfmaß / Testdimension | | ISO 2768-m | | DIN / ISO 13715 | | CUSTOMER DRAWING | | | |
| Teileindex / Partindexnumber: | | | | | | | | | |
| Bagatelle change: | | | | | | Buchsenmodul 3-Pol socket module 3 pole | | | |
| | | | | | | | | | |
| | | Gez. Drawn | | 08.04.2021 | | M C146 B03 001 E8 | | | |
| | | Status | | Released | | | | | |
| | | Gepr. Checked | | 16.10.2023 | | Blatt / Sheet 1 1 Bl. | | | |
| | | | | MBERTSCH | | | | | |
| 04 | 202300083 | 11.08.2023 | PWÖLF | Amphenol Tuchel Industrial GmbH | | Ers. f. / Replacement for: | | | |
| 03 | 202200287 | 03.11.2022 | PWÖLF | | | | | | |
| 02 | 202100147 | 23.09.2021 | PWÖLF | | | | | | |
| 01 | 202100147 | 08.04.2021 | PWÖLF | | | | | | |
| Index | Änderung / Description | Datum / Date | Name | | | | | | |

Copying of this document and giving it to others and the use or communication of the contents thereof, are forbidden without express authority. Offenders are liable to the payment of damages. All rights are reserved in the event of the grant of a patent or the registration of the utility model or design.

Weitergabe sowie Vervielfältigung dieser Unterlage, Verwertung und Mitteilung ihres Inhalts nicht gestattet, soweit nicht ausdrücklich zugestanden. Zuwiderhandlungen verpflichten zu Schadensersatz. Alle Rechte für den Fall der Patenterteilung oder Gebrauchsmuster-Eintragung vorbehalten.

FAI2023-000798
NXM-V06